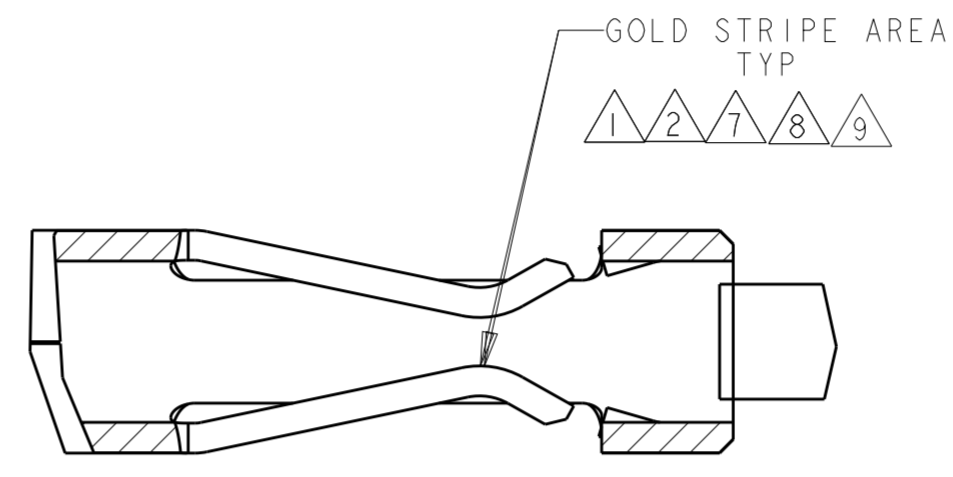
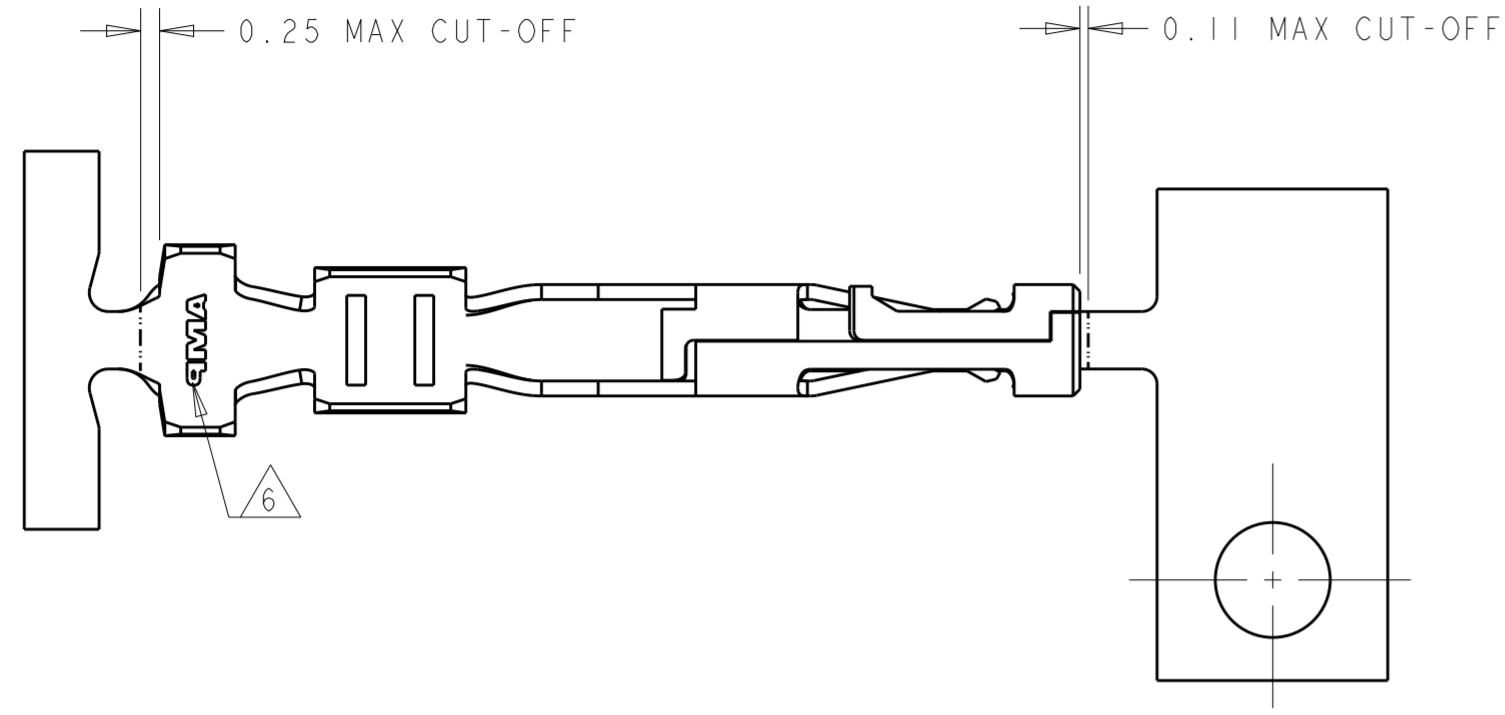


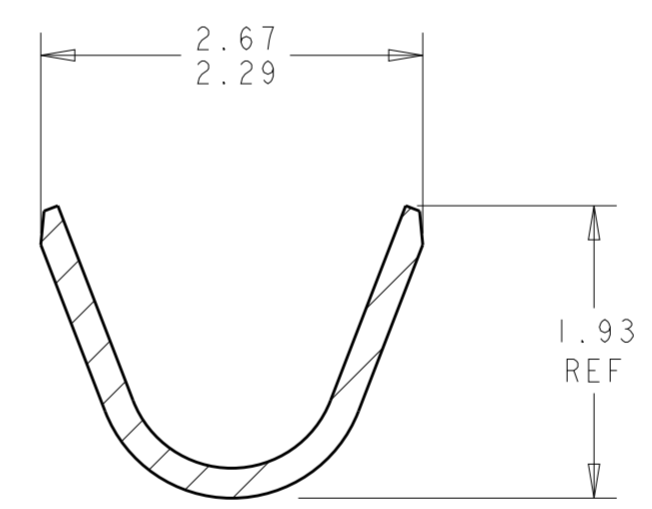
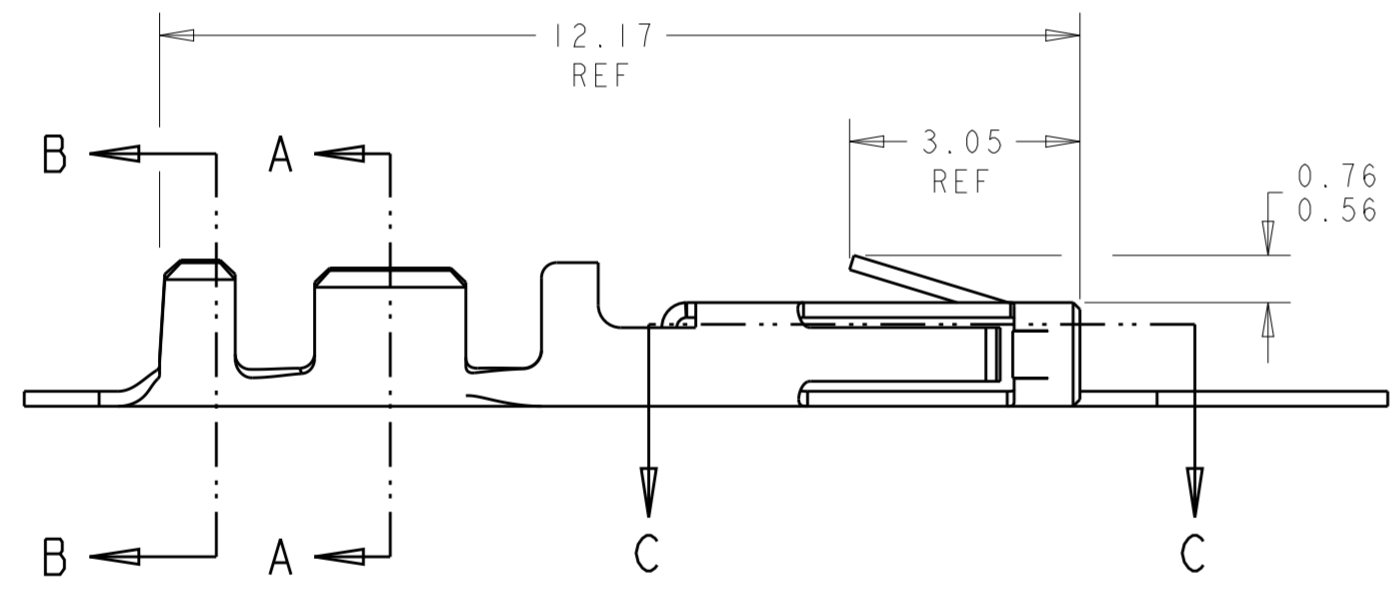
THIS DRAWING IS UNPUBLISHED. RELEASED FOR PUBLICATION
 © COPYRIGHT 20 BY - ALL RIGHTS RESERVED.

LOC	DIST	REVISIONS					
CM	53	P	LTR	DESCRIPTION	DATE	DWN	APVD
		H3		REVISED PER ECO-11-025415	20DEC11	JR	TM
		H4		ECO-19-006909	03MAY2019	AP	WS

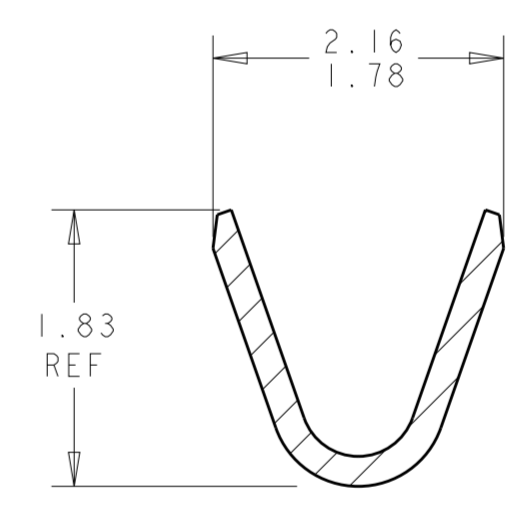


SECTION C-C
SCALE 20:1

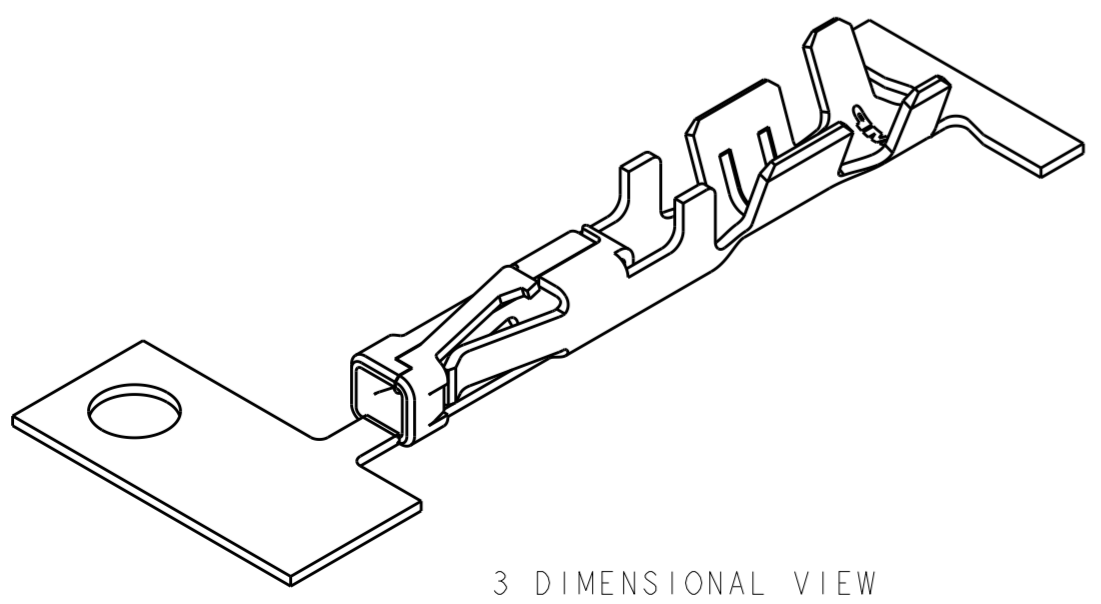
- 1 0.000762 MIN THK GOLD STRIPE IN THE GOLD PLATE AREA, BRIGHT TIN IN THE CRIMP AREA, OVER NICKEL PLATE.
- 2 0.000381 THK GOLD STRIPE IN THE GOLD PLATE AREA, BRIGHT TIN IN THE CRIMP AREA, OVER NICKEL PLATE.
- 3 0.0015 - 0.0040 THK BRIGHT TIN.
- 4 WIRE RANGE: 20 - 24 AWG.
- 5 INSULATION RANGE 0.89 - 1.524.
- 6 AMP LOGO LOCATED APPROXIMATELY AS SHOWN.
- 7 0.000762 THK GOLD STRIPE IN THE GOLD PLATE AREA, BRIGHT TIN-LEAD IN THE CRIMP AREA, OVER NICKEL PLATE.
- 8 0.000381 THK GOLD STRIPE IN THE GOLD PLATE AREA, BRIGHT TIN-LEAD IN THE CRIMP AREA, OVER NICKEL PLATE.
- 9 0.00102 MIN THK GOLD STRIPE IN THE GOLD PLATE AREA, BRIGHT TIN IN THE CRIMP AREA, OVER NICKEL PLATE.



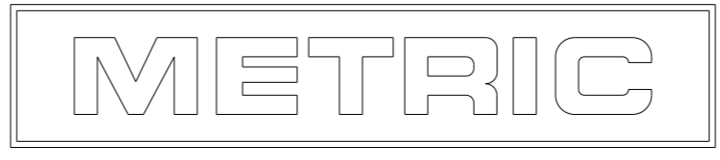
SECTION B-B
SCALE 20:1



SECTION A-A
SCALE 20:1



3 DIMENSIONAL VIEW
SCALE 8:1



9	1-794606-3
1	1-794606-2
2	1-794606-1
7	794606-3
8	794606-2
3	794606-1
FINISH	PART NUMBER

THIS DRAWING IS A CONTROLLED DOCUMENT.

DIMENSIONS: mm	TOLERANCES UNLESS OTHERWISE SPECIFIED: 0 PLC ± 1 PLC ± 2 PLC ±0.13 3 PLC ± 4 PLC ± ANGLES ±0.30° FINISH	DWN K. WHITAKER 12-OCT-1999 CHK K. COBLE 12-OCT-1999 APVD K. COBLE 12-OCT-1999	TE Connectivity	
MATERIAL: 0.2 PH BRZ	SEE TABLE	PRODUCT SPEC: 108-1836 APPLICATION SPEC: 114-13000 WEIGHT: -	NAME: CONTACT, RECEPTACLE, CRIMP, SNAP-IN, MICRO MATE-N-LOK(TM) SIZE: A2 CAGE CODE: 00779 DRAWING NO: 794606 RESTRICTED TO: - SCALE: 10:1 SHEET 1 OF 1 REV: H4	

CUSTOMER DRAWING

X-ON Electronics

Largest Supplier of Electrical and Electronic Components

Click to view similar products for [Pin & Socket Connectors](#) category:

Click to view products by [TE Connectivity](#) manufacturer:

Other Similar products are found below :

[6450822-1](#) [770392-1](#) [794042-1](#) [796885-1](#) [8-794535-1](#) [PLR3455ACS-222](#) [R929991004](#) [R929993003](#) [1403611-1](#) [1-480349-5](#) [152302-5](#)
[153211-2](#) [1586092-1](#) [1586129-1](#) [1586681-4](#) [1586700-1](#) [1586368-1](#) [1586380-1](#) [1586616-1](#) [1586680-5](#) [16-06-0038](#) [164164-5](#) [1-6609930-1](#)
[172296-1](#) [19-09-2035](#) [200503-1](#) [200788-2](#) [2029090-4](#) [2029095-4](#) [925061-7](#) [293734-4](#) [293737-2](#) [1-765362-4](#) [1871534-1](#) [200833-4](#)
[2008625-2](#) [2029027-2](#) [2029096-4](#) [R929991000](#) [R929991002](#) [R929993000](#) [319-10-101-00-005000](#) [319-10-102-00-001000](#) [319-10-104-00-001000](#) [319-10-105-00-001000](#) [319-10-108-00-001000](#) [319-10-112-00-006000](#) [39-01-8019](#) [319-10-101-00-001000](#) [319-10-102-00-005000](#)