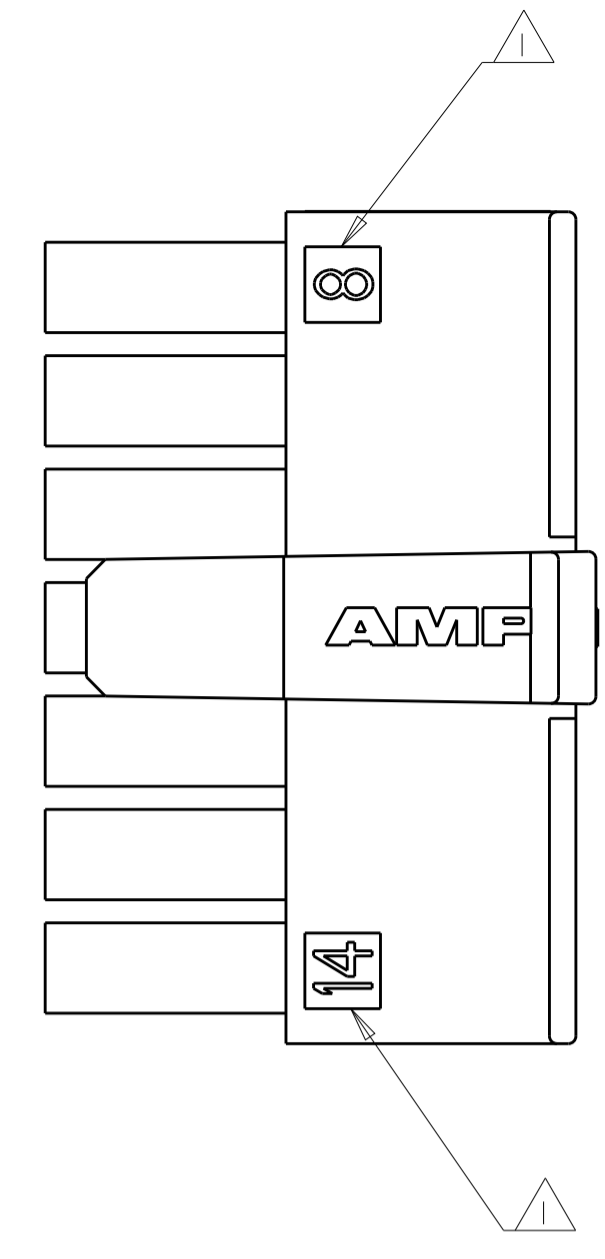
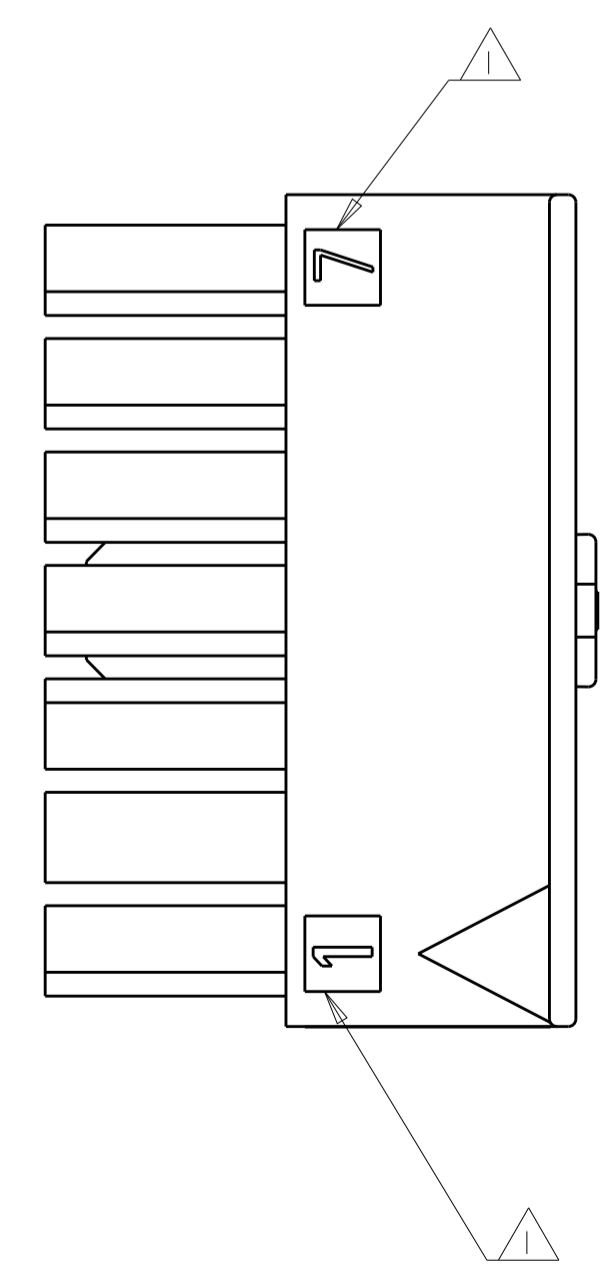
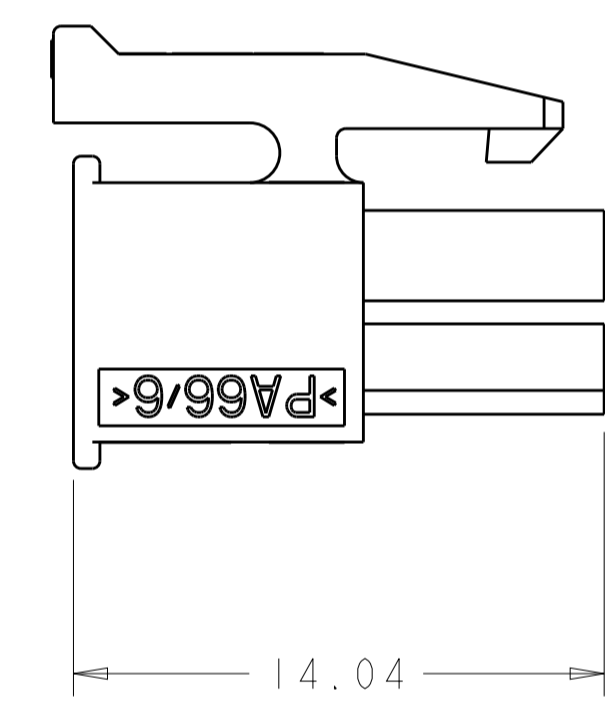
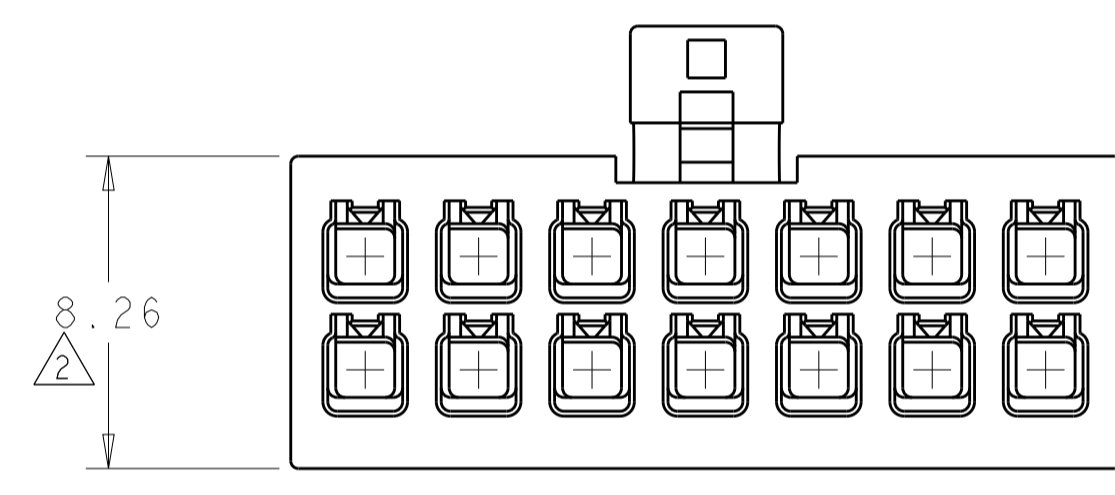
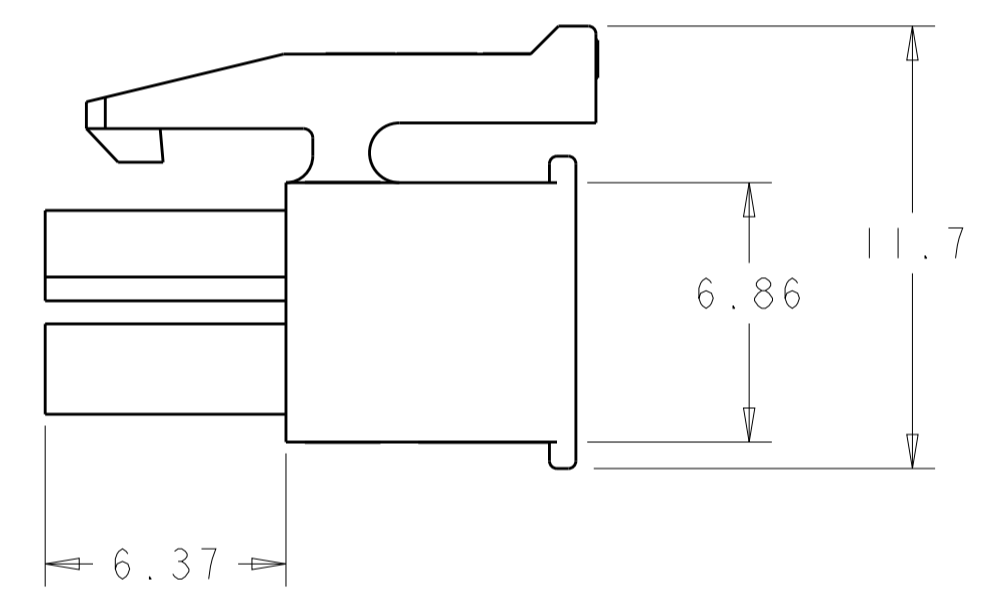
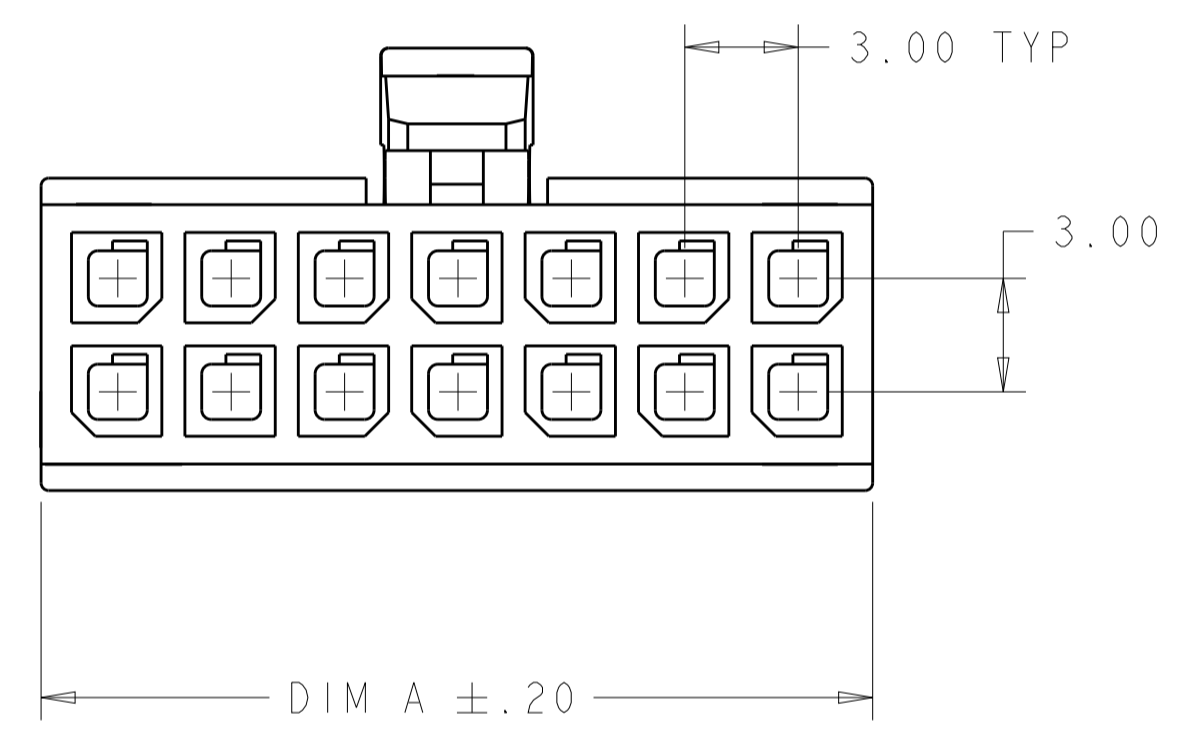


LOC	DIST	REVISIONS					
CM	53	P	LTH	DESCRIPTION	DATE	DWN	APVD
		E3		REVISED PER ECR-12-015771	11SEP2012	KH	TM
		E4		REVISED PER ECR-13-016336	21OCT2013	AV	RP
		E5		REVISED PER ECR-14-010163	27NOV2014	AV	ZD
		E6		REVISED PER ECR-15-015291	22DEC2015	SC	ZD



- △1 CIRCUIT IDENTIFIER, LOCATED APPROXIMATELY AS SHOWN.
- △2 DIMENSION ONLY 7.56 ON 2 POSITION.
- △3 MATERIAL NYLON66/6 V0 UL94.
- △4 MATERIAL PA6 V0 UL94.
- △5 MATERIAL PA66 V0 GW UL94.
- △6 PRELIMINARY PART NOT RELEASED FOR PRODUCTION.



REMARK	DIM A	NO. OF POS.	PART NUMBER	
		10	6	3-794617-6
△5 △6		7	4	3-794617-4
		4	2	3-794617-2
△5	13.00	8	3-794617-8	
△4 △6	13.00	8	2-794617-8	
	37.00	24	2-794617-4	
	34.00	22	2-794617-2	
	31.00	20	2-794617-0	
	28.00	18	1-794617-8	
△3	25.00	16	1-794617-6	
	22.00	14	1-794617-4	
	19.00	12	1-794617-2	
	16.00	10	1-794617-0	
	13.00	8	794617-8	
	10.00	6	794617-6	
	7.00	4	794617-4	
△3 △2	4.00	2	794617-2	

THIS DRAWING IS A CONTROLLED DOCUMENT. DWN: K. WHITAKER 14OCT1999
 CHK: K. COBLE 14OCT1999
 APVD: K. COBLE 14OCT1999

STE TE Connectivity

NAME: RECEPTACLE HOUSING, 2 TO 24 POSITION, DUAL ROW, MICRO MATE-N-LOK™

PRODUCT SPEC: 108-1836
 APPLICATION SPEC: 114-13000

SIZE: A1 CAGE CODE: 00779 DRAWING NO: 794617

MATERIAL: △3 △4 △5 FINISH: - WEIGHT: -

Customer Drawing SCALE: 5:1 SHEET: 1 OF 1 REV: E6

X-ON Electronics

Largest Supplier of Electrical and Electronic Components

Click to view similar products for [Headers & Wire Housings](#) category:

Click to view products by [TE Connectivity](#) manufacturer:

Other Similar products are found below :

[95000-104TRLF](#) [10135584-644402LF](#) [DF62W-EP2022PCA](#) [95000-106TRLF](#) [DF62W-2022SCA](#) [DF62W-EP2022PC](#) [2203348](#) [DF62W-2022SC](#) [1084018](#) [1029039](#) [1084017](#) [802-10-012-10-002000](#) [1112640](#) [1112639](#) [000-34000](#) [0009482033](#) [0009507031](#) [57102-S06-03LF](#) [57202-S52-04LF](#) [PCN6-15S-2.5E](#) [0039019024](#) [58102-G61-06LF](#) [582553-1](#) [0009485154](#) [0009508121](#) [0022285053](#) [0050291907](#) [018731A](#) [LY20-4P-DT1-P1E-BR](#) [02.125.8002.8](#) [60101931](#) [60598-1 \(Cut Strip\)](#) [M1625-3R/100](#) [61062-3](#) [61082-181009](#) [636-1427](#) [638009-1](#) [641938-9](#) [641991-4](#) [644168-1](#) [647662-1](#) [65039-019ELF](#) [65817-002LF](#) [65817-015LF](#) [65863-015LF](#) [66207-023LF](#) [67016-026LF](#) [67046-001LF](#) [67095-007LF](#) [67230-005LF](#)