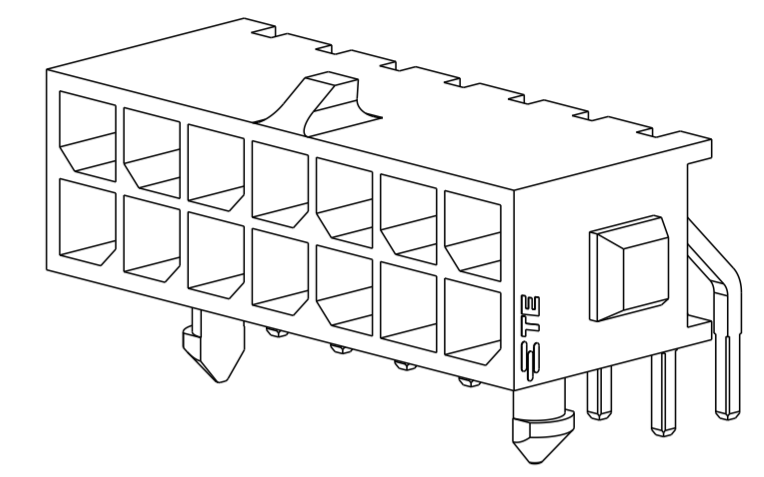
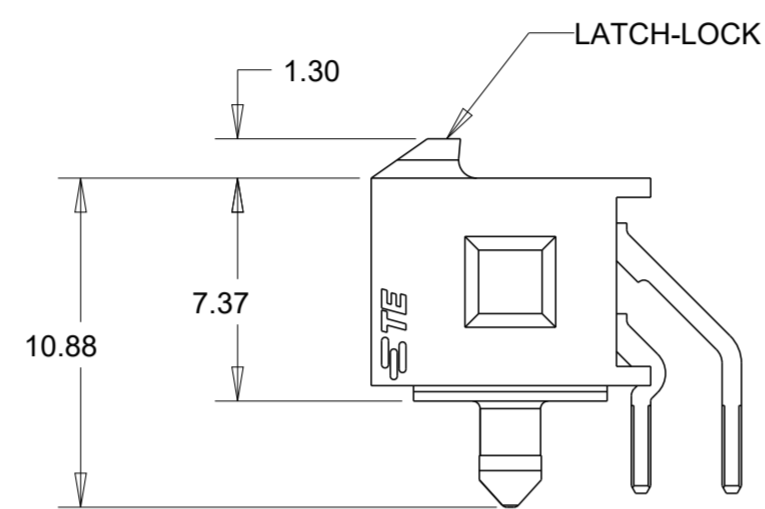
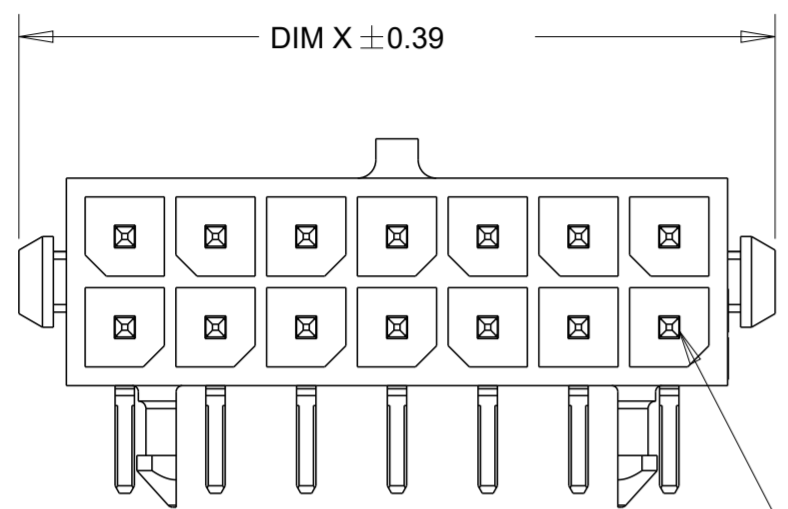


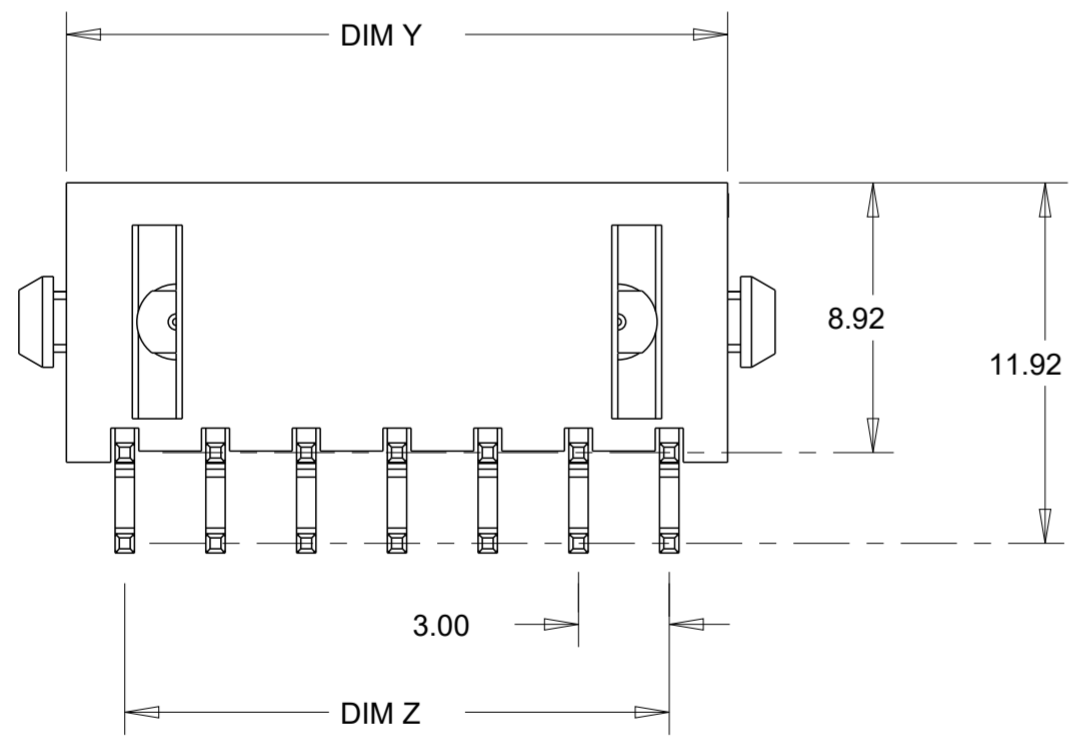
THIS DRAWING IS UNPUBLISHED. RELEASED FOR PUBLICATION 20
 © COPYRIGHT 20 BY - ALL RIGHTS RESERVED.

REVISIONS					
P	LTR	DESCRIPTION	DATE	DWN	APVD
F1		REVISED PER ECR-16-011494	21JUN2017	NK	CX
F2		ECO-19-006502	29APR2019	AP	WS
F3		REVISED PER ECN-20-100750	07DEC2020	WLS	VS



- 1 MATERIAL: HOUSING - UL 94V-0 RATED HIGH TEMP NYLON, COLOR BLACK.
CONTACTS - BRASS.
- 2 RECOMMENDED PC BOARD THICKNESS OF 1.57.
- 3 PLATING: CONTACTS - 0.38µm MINIMUM GOLD ON MATING AREA.
2.54µm MINIMUM MATTE TIN ON SOLDER TAILS.
ALL OVER 1.27µm MINIMUM NICKEL.

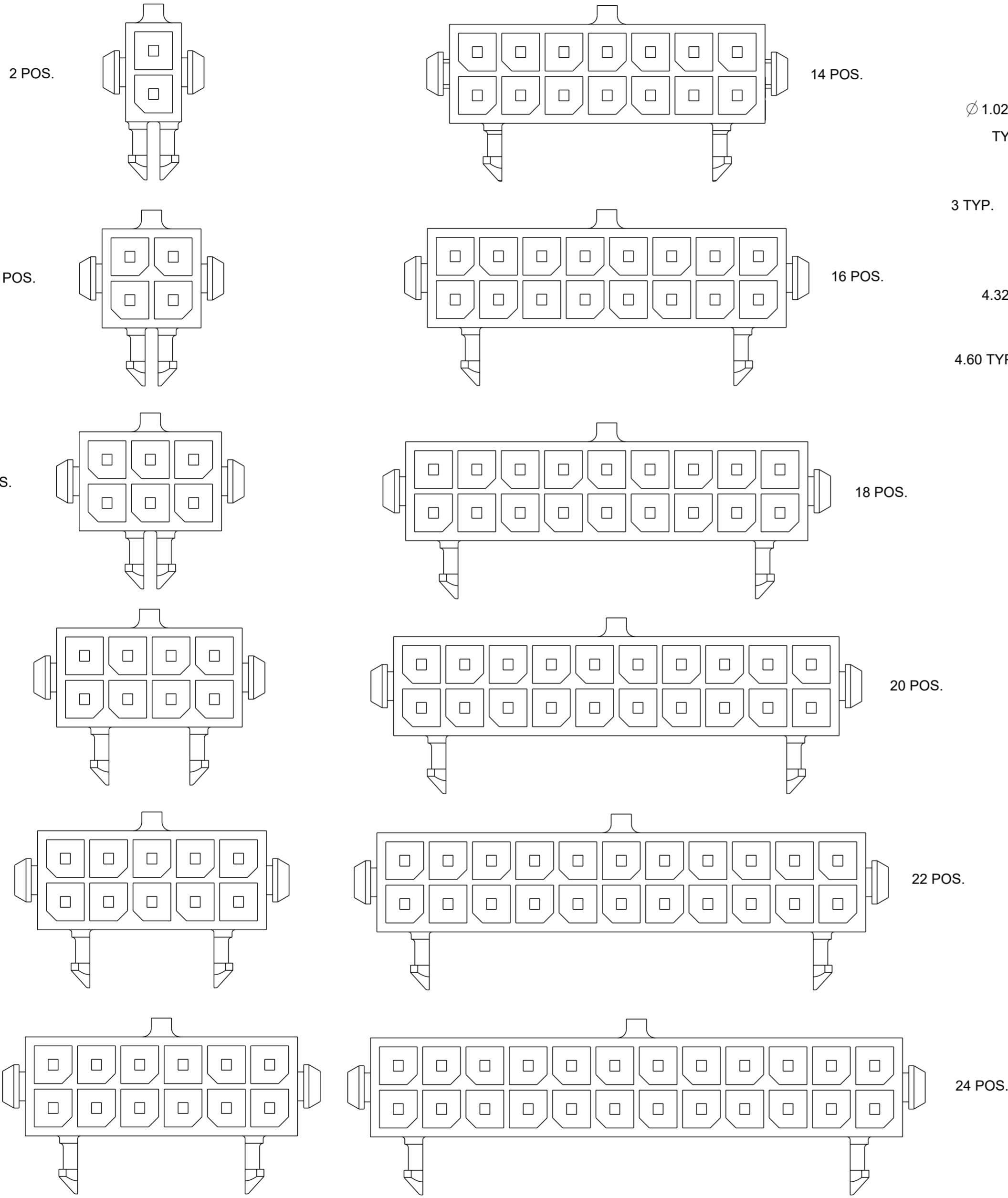
4 COUNTERPART RECOMMENDED IS PN 794617 (DASH ACCORDING TO NUMBER OF POSITION).
 5 FOR REELING DIRECTION AND PACKAGING TYPE, SEE SPECIFICATION 114-13000.



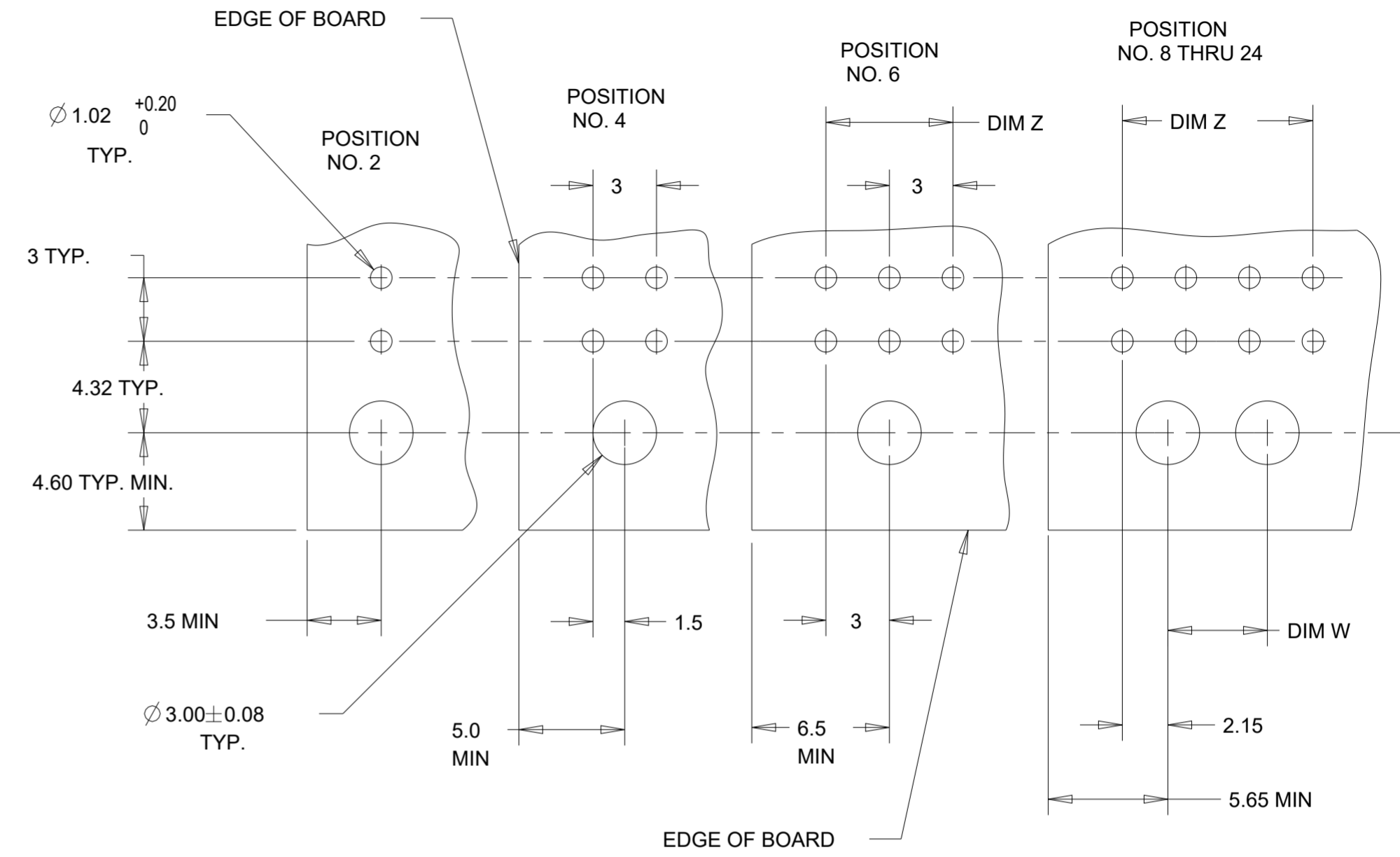
36.86	28.70	33.00	40.00	24	5-794619-4
33.86	25.70	30.00	37.00	22	5-794619-2
30.86	22.70	27.00	34.00	20	5-794619-0
27.86	19.70	24.00	31.00	18	4-794619-8
24.86	16.70	21.00	28.00	16	4-794619-6
21.86	13.70	18.00	25.00	14	4-794619-4
18.86	10.70	15.00	22.00	12	4-794619-2
15.86	7.70	12.00	19.00	10	4-794619-0
12.86	4.70	9.00	16.00	8	3-794619-8
9.86	-	6.00	13.00	6	3-794619-6
6.86	-	-	10.00	4	3-794619-4
3.86	-	-	7.00	2	3-794619-2
DIM Y	DIM W	DIM Z	DIM X	NO. OF POSN.	PART NUMBER

THIS DRAWING IS A CONTROLLED DOCUMENT.		DWN B. HAYMAKER 12AUG99	TE Connectivity NAME THRU-HOLE, R/A, 15 GOLD HEADER, PLASTIC BOARDLOCK, DUAL ROW, MICRO MATE-N-LOK™ SIZE CAGE CODE DRAWING NO RESTRICTED TO A2 00779 C-794619 - SCALE 4:1 SHEET 1 OF 2 REV F3		
DIMENSIONS:		CHK K. COBLE 12AUG99			
mm		APVD K. COBLE 12AUG99			
TOLERANCES UNLESS OTHERWISE SPECIFIED:		PRODUCT SPEC 108-1836			
0 PLC ±		APPLICATION SPEC 114-13000	WEIGHT		
1 PLC ±			CUSTOMER DRAWING		
2 PLC ±0.13			SCALE 4:1 SHEET 1 OF 2 REV F3		
3 PLC ±					
4 PLC ±					
ANGLES ±°					
FINISH					

REVISIONS				
P	LTR	DESCRIPTION	DATE	APVD
-	-	SEE SHEET 1	-	-


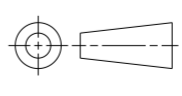


KEYING BY POSITION SIZE



RECOMMENDED PCB LAYOUT (COMPONENT SIDE)



THIS DRAWING IS A CONTROLLED DOCUMENT.		DWN B. HAYMAKER 12AUG99	 TE Connectivity	
DIMENSIONS:		CHK K. COBLE 12AUG99		
mm	TOLERANCES UNLESS OTHERWISE SPECIFIED:	APVD K. COBLE 12AUG99	NAME THRU-HOLE, R/A, 15 GOLD HEADER, PLASTIC BOARDLOCK, DUAL ROW, MICRO MATE-N-LOK	
	0 PLC ± 1 PLC ± 2 PLC ±0.13 3 PLC ± 4 PLC ± ANGLES ±° FINISH	PRODUCT SPEC 108-1836	SIZE A2	CAGE CODE 00779
MATERIAL	-	APPLICATION SPEC 114-13000	DRAWING NO. 794619	RESTRICTED TO -
-	-	WEIGHT -	SCALE 4:1	SHEET 2 OF 2
-	-	CUSTOMER DRAWING	REV F3	

X-ON Electronics

Largest Supplier of Electrical and Electronic Components

Click to view similar products for [Pin & Socket Connectors](#) category:

Click to view products by [TE Connectivity](#) manufacturer:

Other Similar products are found below :

[6450822-1](#) [770392-1](#) [794042-1](#) [796885-1](#) [8-794535-1](#) [PLR3455ACS-222](#) [R929991004](#) [R929993003](#) [1403611-1](#) [1-480349-5](#) [152302-5](#)
[153211-2](#) [1586092-1](#) [1586129-1](#) [1586681-4](#) [1586700-1](#) [1586368-1](#) [1586380-1](#) [1586616-1](#) [1586680-5](#) [16-06-0038](#) [164164-5](#) [1-6609930-1](#)
[172296-1](#) [19-09-2035](#) [200503-1](#) [200788-2](#) [2029090-4](#) [2029095-4](#) [925061-7](#) [293734-4](#) [293737-2](#) [1-765362-4](#) [1871534-1](#) [200833-4](#)
[2008625-2](#) [2029027-2](#) [2029096-4](#) [R929991000](#) [R929991002](#) [R929993000](#) [319-10-101-00-005000](#) [319-10-102-00-001000](#) [319-10-104-00-001000](#) [319-10-105-00-001000](#) [319-10-108-00-001000](#) [319-10-112-00-006000](#) [39-01-8019](#) [319-10-101-00-001000](#) [319-10-102-00-005000](#)