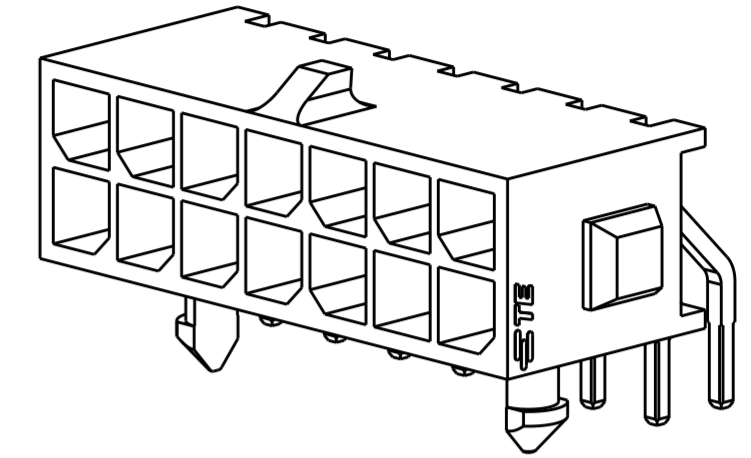
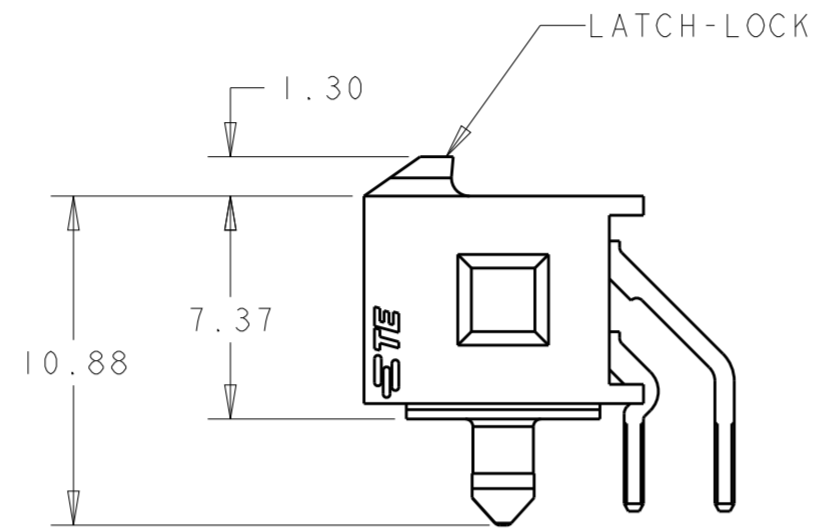
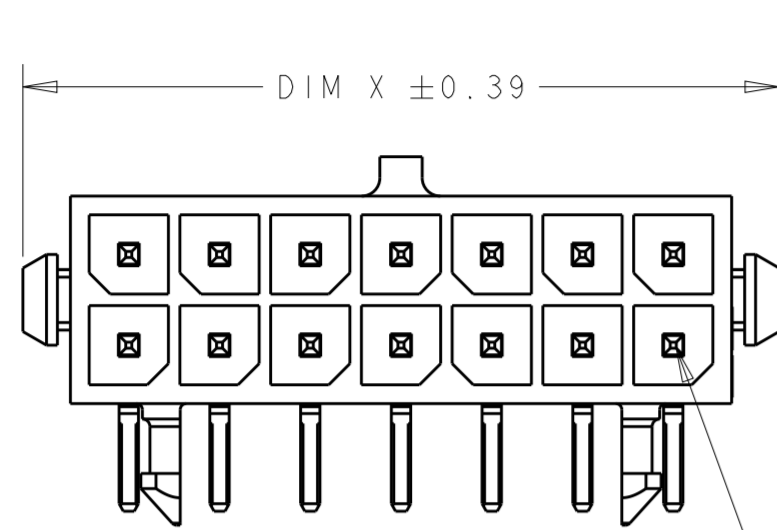
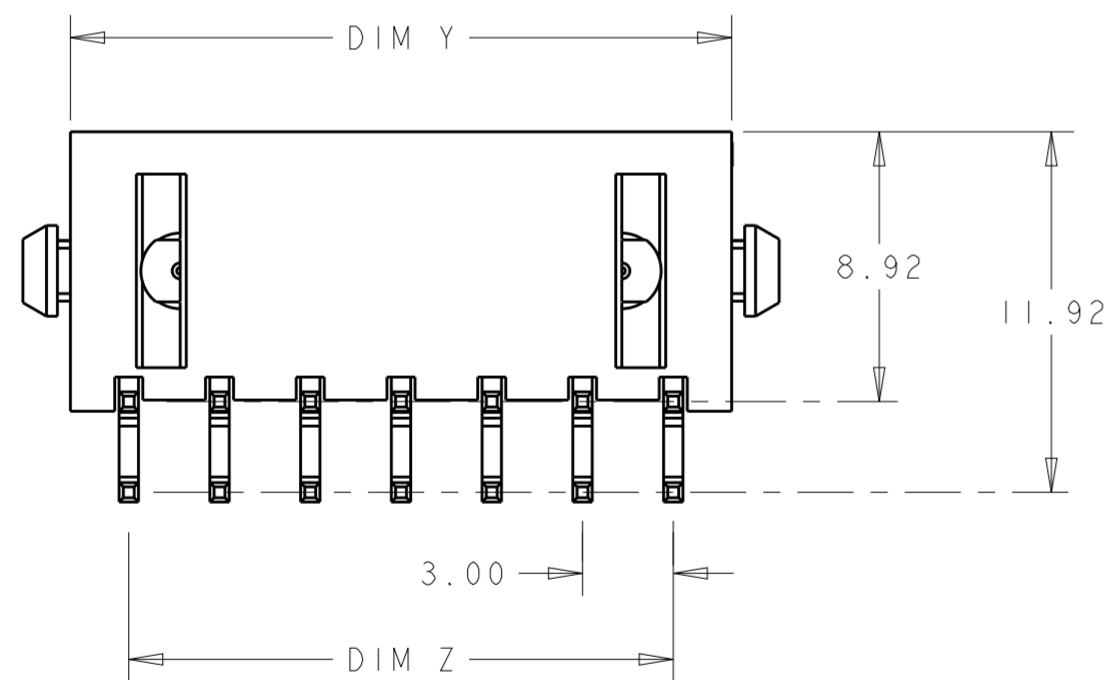


THIS DRAWING IS UNPUBLISHED. RELEASED FOR PUBLICATION 20
 © COPYRIGHT 20 BY - ALL RIGHTS RESERVED.

REVISIONS					
P	LTR	DESCRIPTION	DATE	DWN	APVD
G1		REVISED PER ECR-16-011494	21JUN2017	NK	CX
G2		ECO-19-006502	30APR2019	AP	WS
G3		REVISED PER ECN-20-100750	07DEC2020	WLS	VS



- 1 MATERIAL: HOUSING - UL 94V-0 RATED HIGH TEMP NYLON, COLOR BLACK.
CONTACTS - BRASS.
- 2 RECOMMENDED PC BOARD THICKNESS OF 1.57.
- 3 PLATING: CONTACTS - 0.76µm MINIMUM GOLD ON MATING AREA.
2.54µm MINIMUM MATTE TIN ON SOLDER TAILS.
ALL OVER 1.27µm MINIMUM NICKEL.
- 4 PACKAGE REVERSE TAPED.
- 5 COUNTERPART RECOMMENDED IS PN 794617(DASH ACCORDING TO NUMBER OF POSITION).
- 6 FOR REELING DIRECTION AND PACKAGING TYPE, SEE SPECIFICATION 114-13000.



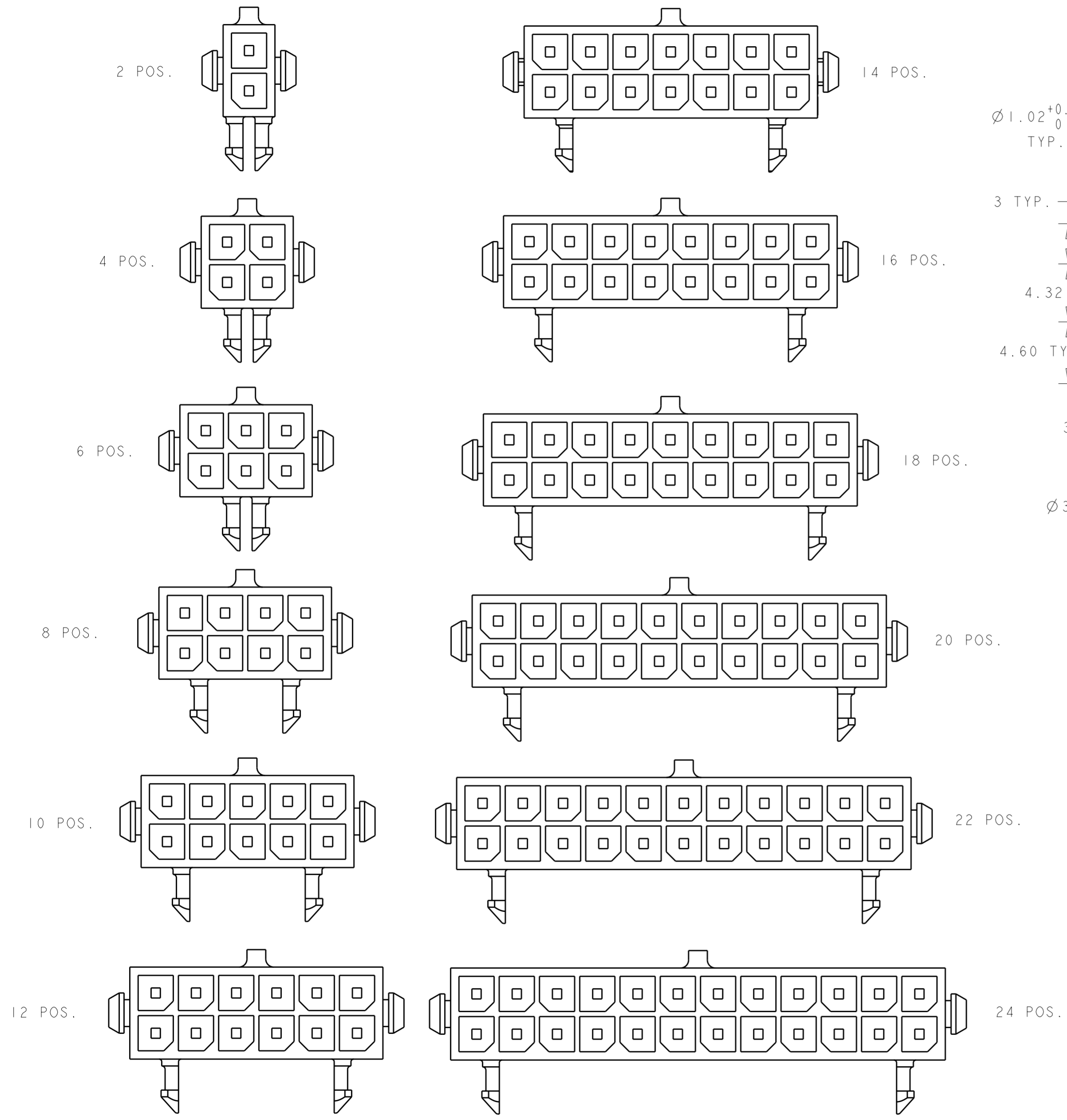
18.86	10.70	15.00	22.00	12	7-794620-2
36.86	28.70	33.00	40.00	24	5-794620-4
33.86	25.70	30.00	37.00	22	5-794620-2
30.86	22.70	27.00	34.00	20	5-794620-0
27.86	19.70	24.00	31.00	18	4-794620-8
24.86	16.70	21.00	28.00	16	4-794620-6
21.86	13.70	18.00	25.00	14	4-794620-4
18.86	10.70	15.00	22.00	12	4-794620-2
15.86	7.70	12.00	19.00	10	4-794620-0
12.86	4.70	9.00	16.00	8	3-794620-8
9.86	-	6.00	13.00	6	3-794620-6
6.86	-	-	10.00	4	3-794620-4
3.86	-	-	7.00	2	3-794620-2
DIM Y	DIM W	DIM Z	DIM X	NO. OF POSN.	PART NUMBER

THIS DRAWING IS A CONTROLLED DOCUMENT.		DWN B. HAYMAKER CHK K. COBLE APVD K. COBLE	12AUG99 12AUG99 12AUG99	TE Connectivity NAME THRU-HOLE, R/A, 30 GOLD HEADER, PLASTIC BOARDLOCK, DUAL ROW, MICRO MATE-N-LOK™	
DIMENSIONS: mm 		TOLERANCES UNLESS OTHERWISE SPECIFIED: 0 PLC ±- 1 PLC ± 2 PLC ±0.13 3 PLC ±- 4 PLC ±- ANGLES ±1° FINISH			
MATERIAL		CUSTOMER DRAWING		SIZE A2	CAGE CODE 0779
		SCALE 4:1		SHEET 1 OF 2	REV G3

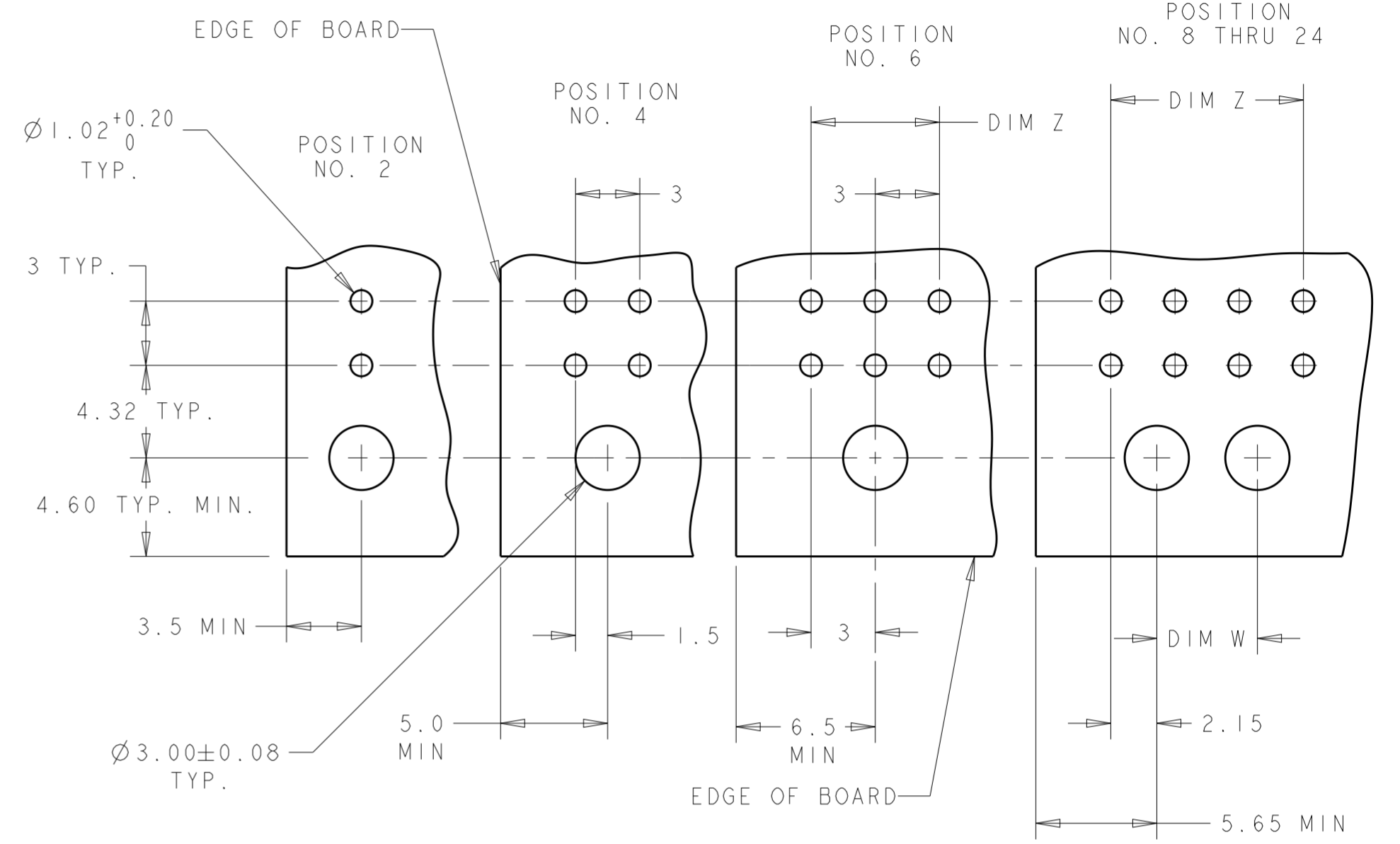
794620

THIS DRAWING IS UNPUBLISHED. RELEASED FOR PUBLICATION 20
 © COPYRIGHT 20 BY - ALL RIGHTS RESERVED.

REVISIONS				
P	LTR	DESCRIPTION	DATE	APVD
-	-	SEE SHEET 1	-	-



KEYING BY POSITION SIZE



RECOMMENDED PCB LAYOUT (COMPONENT SIDE)

THIS DRAWING IS A CONTROLLED DOCUMENT.		DWN B. HAYMAKER CHK K. COBLE APVD K. COBLE	12AUG99 12AUG99 12AUG99	TE Connectivity	NAME THRU-HOLE, R/A, 30 GOLD HEADER, PLASTIC BOARDLOCK, DUAL ROW, MICRO MATE-N-LOK
DIMENSIONS: mm 		PRODUCT SPEC 108-1836 APPLICATION SPEC 114-13000			
TOLERANCES UNLESS OTHERWISE SPECIFIED: 0 PLC ±- 1 PLC ± 2 PLC ±0.13 3 PLC ±- 4 PLC ±- ANGLES ±1° FINISH -		WEIGHT -		CAGE CODE C-794620	RESTRICTED TO -
MATERIAL -		CUSTOMER DRAWING		SCALE 4:1	SHEET 2 OF 2 REV G3

X-ON Electronics

Largest Supplier of Electrical and Electronic Components

Click to view similar products for [Pin & Socket Connectors](#) category:

Click to view products by [TE Connectivity](#) manufacturer:

Other Similar products are found below :

[6450822-1](#) [770392-1](#) [794042-1](#) [796885-1](#) [8-794535-1](#) [881459-2](#) [R929993003](#) [1-350779-3](#) [1403611-1](#) [1-480349-5](#) [1586092-1](#) [1586129-1](#)
[1586487-1](#) [1586681-4](#) [1586700-1](#) [1586065-1](#) [1586077-1](#) [1586368-1](#) [1586380-1](#) [1586680-5](#) [1586681-2](#) [1604996-1](#) [16-06-0038](#) [164164-5](#) [1-](#)
[6609930-1](#) [172296-1](#) [1-794714-6](#) [19-09-2035](#) [1969804-1](#) [200503-1](#) [200788-2](#) [201046-7](#) [202648-4](#) [2029076-2](#) [2029090-4](#) [2029095-4](#) [2-](#)
[66102-6](#) [925061-7](#) [926681-1](#) [293734-4](#) [293737-2](#) [1-765362-4](#) [1-794606-3](#) [1871534-1](#) [1969795-1](#) [1969798-1](#) [1969800-1](#) [200833-4](#)
[2008625-2](#) [2029027-2](#)