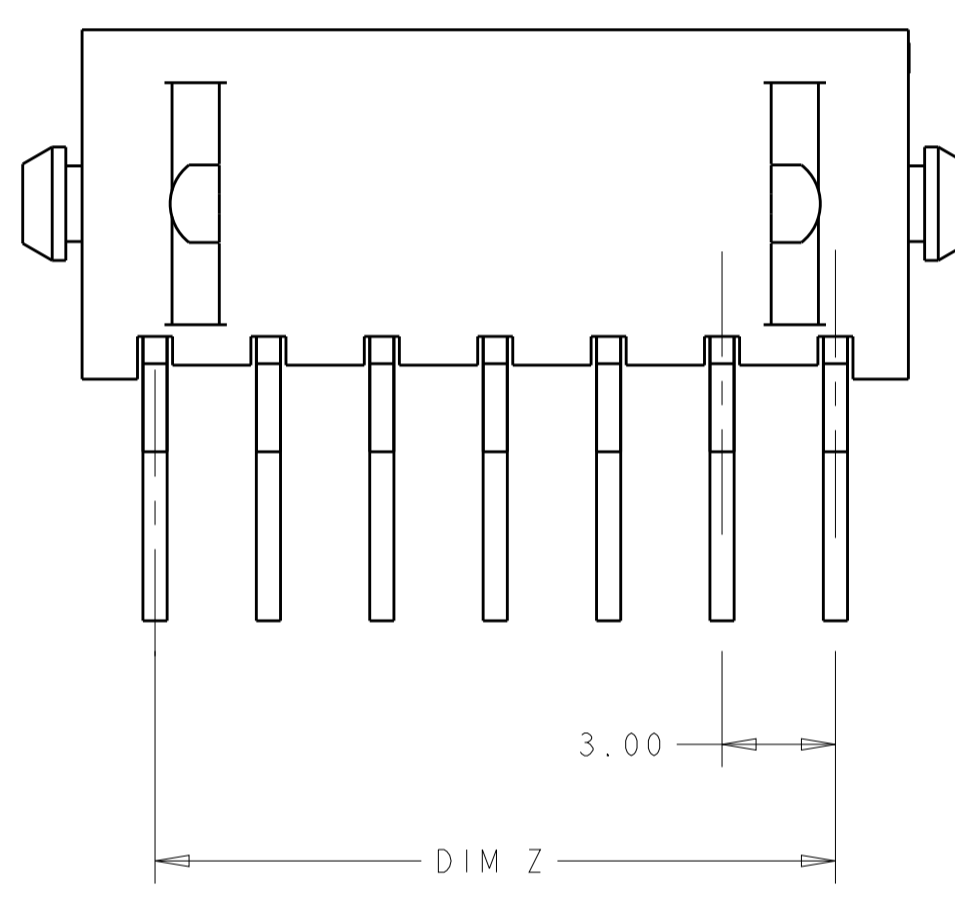
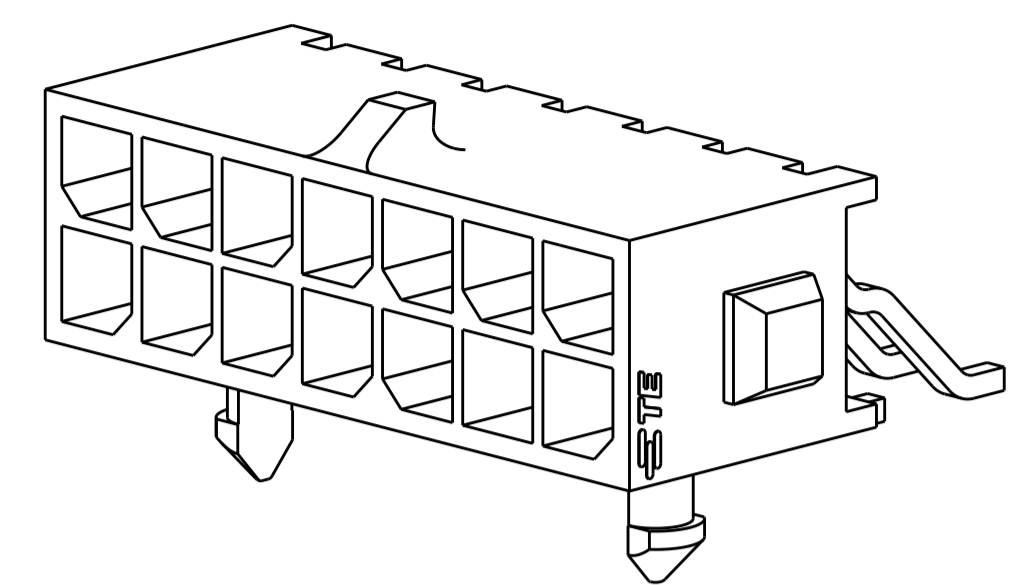
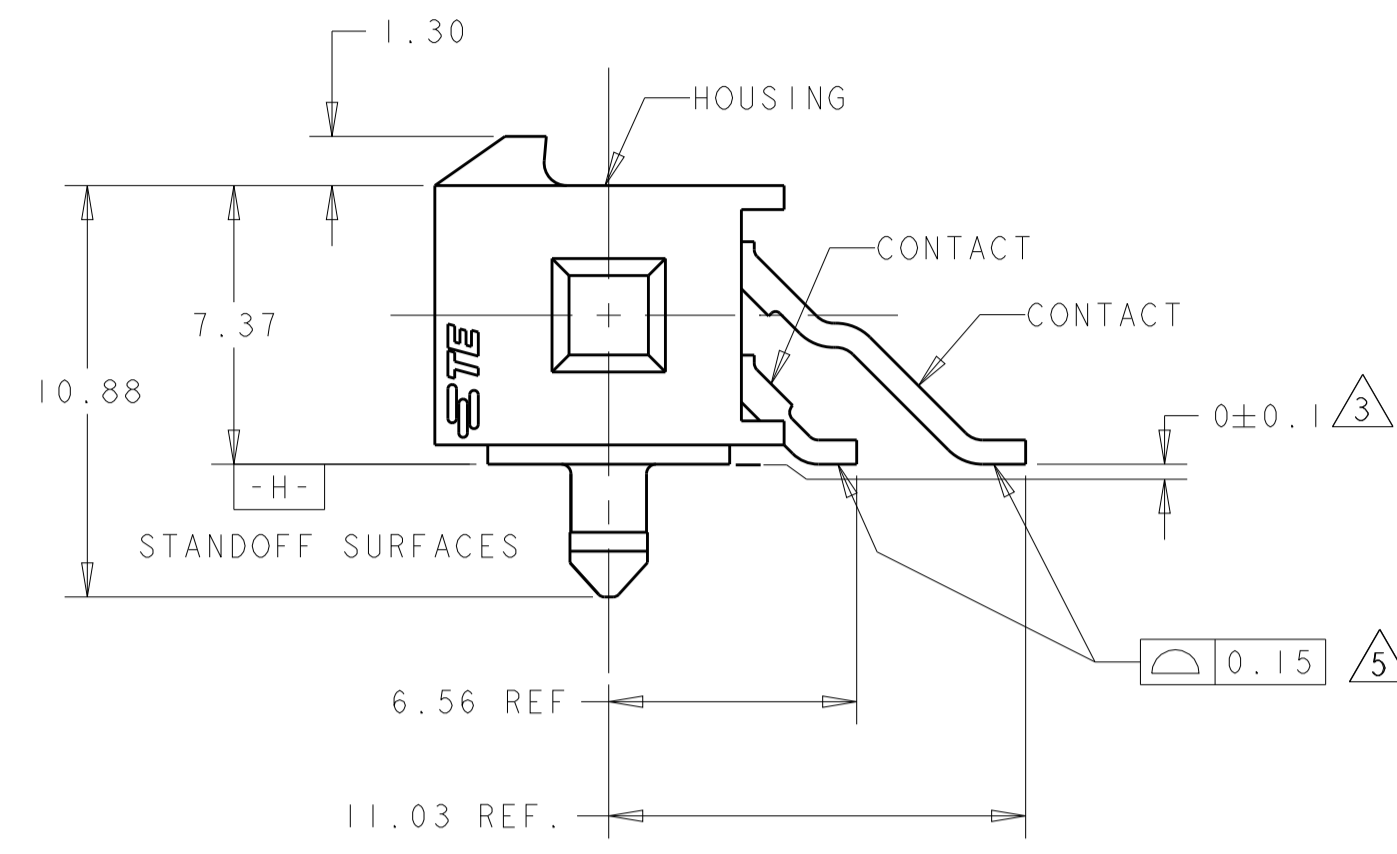
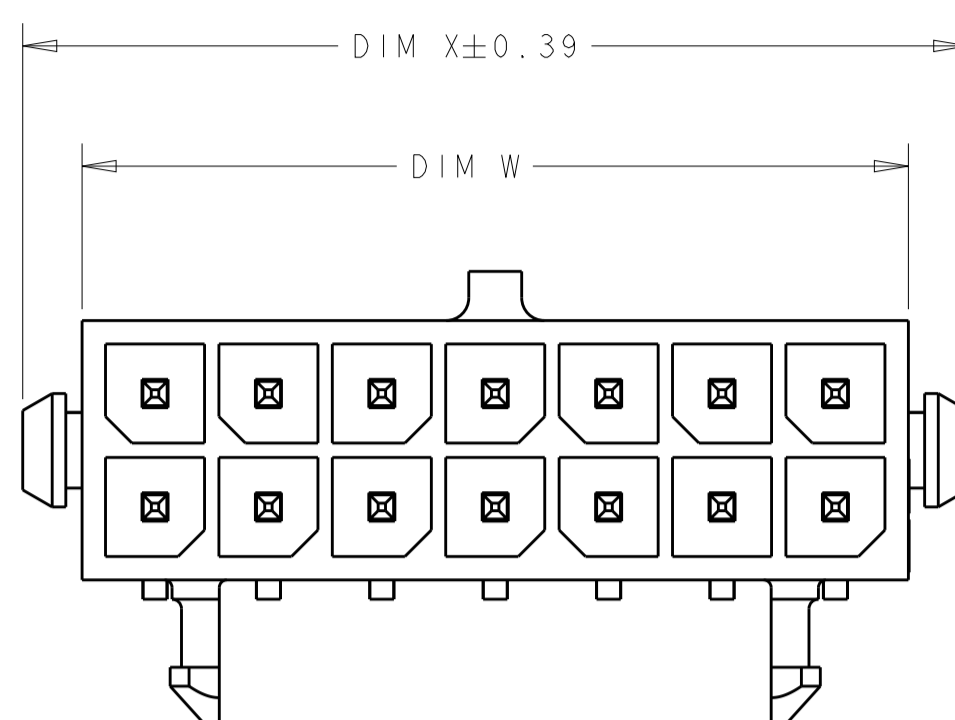
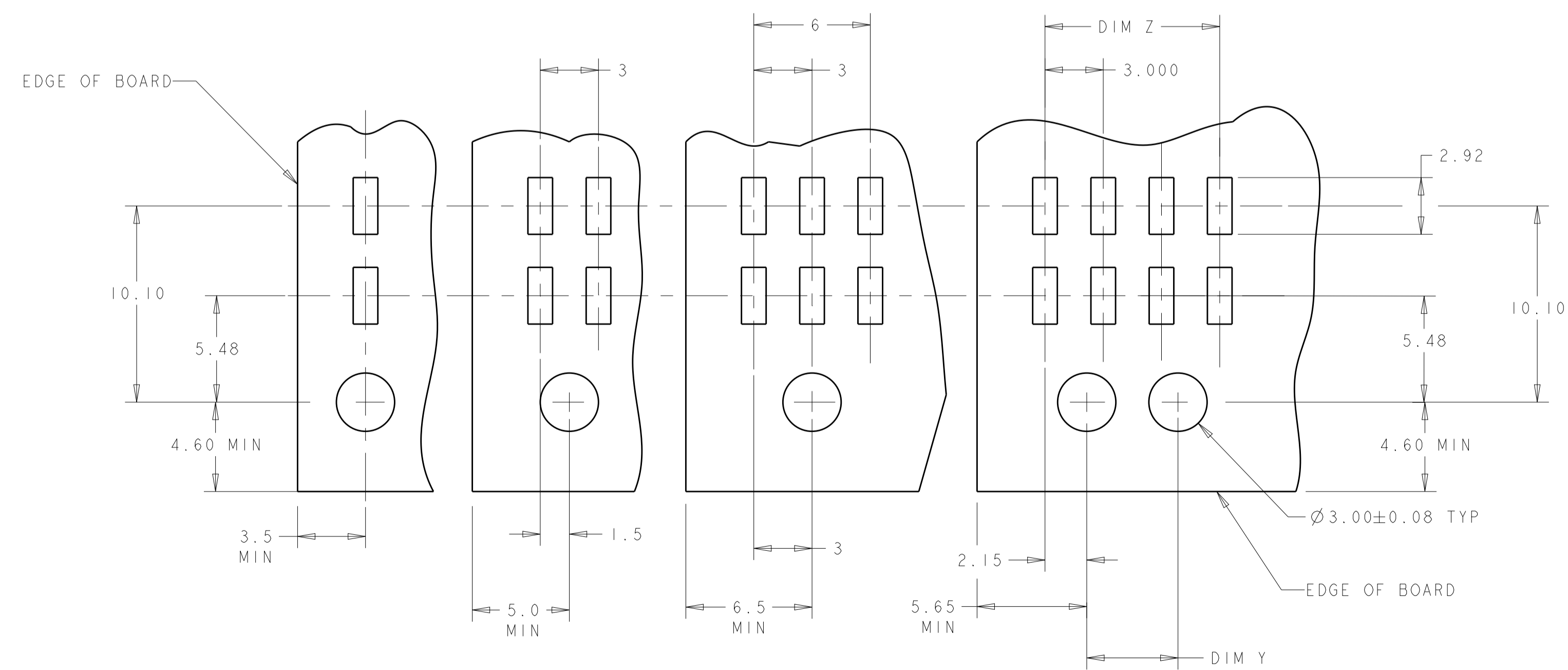


REVISIONS					
P.	LTN	DESCRIPTION	DATE	DWN	APVD
G1		REVISED PER ECR-16-011494	22JUN2017	NK	CX
G2		ECO-19-006502	30APR2019	AP	WS
G3		REVISED PER ECO-20-009852	14JUL2020	WLS	DZ



- △ MATERIAL:  
CONTACTS - BRASS.  
HOUSING - UL 94V-0 RATED HIGH TEMP NYLON, COLOR; BLACK.
- △ FINISH:  
CONTACTS - 2.54µm MINIMUM TIN-LEAD OVER 1.27µm MINIMUM NICKEL.
- △ DIMENSION APPLIES TO SOLDERTAIL SURFACES AND STANDOFF SURFACES.
- △ RECOMMENDED PCB BOARD THICKNESS OF 1.57.
- △ ALL SOLDERTAILS.
- △ FINISH:  
CONTACTS - 2.54µm MINIMUM MATTE TIN OVER 1.27µm MINIMUM NICKEL.



RECOMMENDED PCB LAYOUT (COMPONENT SIDE) △

△	36.86	28.70	33.00	40.00	24	5-794621-4
	33.86	25.70	30.00	37.00	22	5-794621-2
	30.86	22.70	27.00	34.00	20	5-794621-0
	27.86	19.70	24.00	31.00	18	4-794621-8
	24.86	16.70	21.00	28.00	16	4-794621-6
	21.86	13.70	18.00	25.00	14	4-794621-4
	18.86	10.70	15.00	22.00	12	4-794621-2
	15.86	7.70	12.00	19.00	10	4-794621-0
	12.86	4.70	9.00	16.00	8	3-794621-8
	9.86	-	6.00	13.00	6	3-794621-6
6.86	-	3.00	10.00	4	3-794621-4	
3.86	-	-	7.00	2	3-794621-2	
△	36.86	28.70	33.00	40.00	24	2-794621-4
	33.86	25.70	30.00	37.00	22	2-794621-2
	30.86	22.70	27.00	34.00	20	2-794621-0
	27.86	19.70	24.00	31.00	18	1-794621-8
	24.86	16.70	21.00	28.00	16	1-794621-6
	21.86	13.70	18.00	25.00	14	1-794621-4
	18.86	10.70	15.00	22.00	12	1-794621-2
	15.86	7.70	12.00	19.00	10	1-794621-0
	12.86	4.70	9.00	16.00	8	1-794621-8
	9.86	-	6.00	13.00	6	1-794621-6
6.86	-	3.00	10.00	4	1-794621-4	
3.86	-	-	7.00	2	1-794621-2	

SUPERSEDED BY 5-794621-4  
 SUPERSEDED BY 5-794621-2  
 SUPERSEDED BY 5-794621-0  
 SUPERSEDED BY 4-794621-8  
 SUPERSEDED BY 4-794621-6  
 SUPERSEDED BY 4-794621-4  
 SUPERSEDED BY 4-794621-2  
 SUPERSEDED BY 4-794621-0  
 SUPERSEDED BY 3-794621-8  
 SUPERSEDED BY 3-794621-6  
 SUPERSEDED BY 3-794621-4  
 SUPERSEDED BY 3-794621-2

THIS DRAWING IS A CONTROLLED DOCUMENT.		DWN S. HOOVER 23-MAR-2005	TE Connectivity	
DIMENSIONS: mm		CHK C. JONES 23-MAR-2005		
TOLERANCES UNLESS OTHERWISE SPECIFIED:		APVD C. JONES 23-MAR-2005		
0 PLC ± 1 PLC ±0.13 2 PLC ± 3 PLC ± 4 PLC ± ANGLES ±		NAME ASSEMBLY, SURFACE MOUNT, R/A, TIN HEADER, PLASTIC BOARDLOCK, MICRO MATE-N-LOK(TM) PRODUCT SPEC 108-1836 APPLICATION SPEC SIZE 114-13000 WEIGHT CUSTOMER DRAWING	NO. OF POSN. 24 PART NUMBER 5-794621-4	
MATERIAL △		FINISH △	SCALE 5:1	SHEET 1 OF 1
SEE TABLE		REV G3		

## X-ON Electronics

Largest Supplier of Electrical and Electronic Components

*Click to view similar products for [Pin & Socket Connectors](#) category:*

*Click to view products by [TE Connectivity](#) manufacturer:*

Other Similar products are found below :

[6450822-1](#) [770392-1](#) [794042-1](#) [796885-1](#) [8-794535-1](#) [881459-2](#) [R929993003](#) [1-350779-3](#) [1403611-1](#) [1-480349-5](#) [1586092-1](#) [1586129-1](#)  
[1586487-1](#) [1586681-4](#) [1586700-1](#) [1586065-1](#) [1586077-1](#) [1586368-1](#) [1586380-1](#) [1586680-5](#) [1586681-2](#) [1604996-1](#) [16-06-0038](#) [164164-5](#) [1-](#)  
[6609930-1](#) [172296-1](#) [1-794714-6](#) [19-09-2035](#) [1969804-1](#) [200503-1](#) [200788-2](#) [201046-7](#) [202648-4](#) [2029076-2](#) [2029090-4](#) [2029095-4](#) [2-](#)  
[66102-6](#) [925061-7](#) [926681-1](#) [293734-4](#) [293737-2](#) [1-765362-4](#) [1-794606-3](#) [1871534-1](#) [1969795-1](#) [1969798-1](#) [1969800-1](#) [200833-4](#)  
[2008625-2](#) [2029027-2](#)