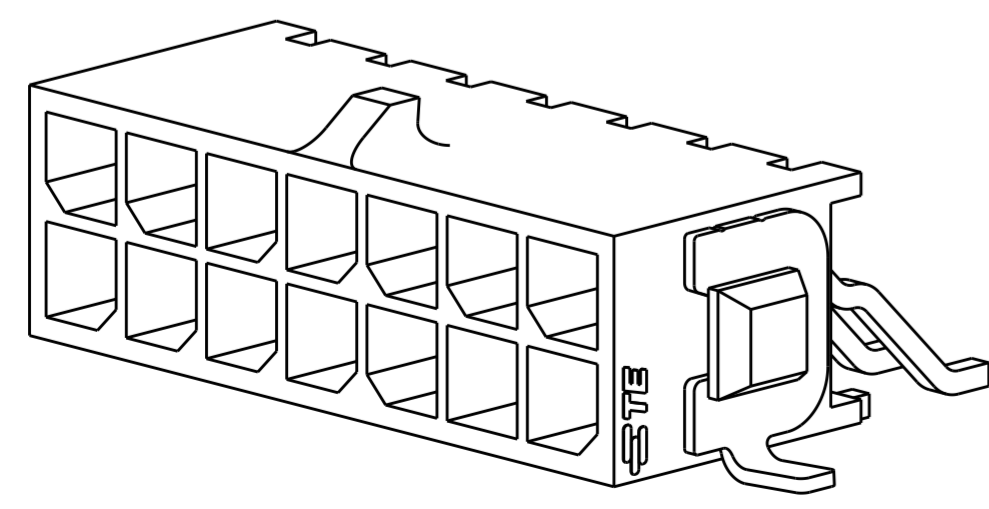
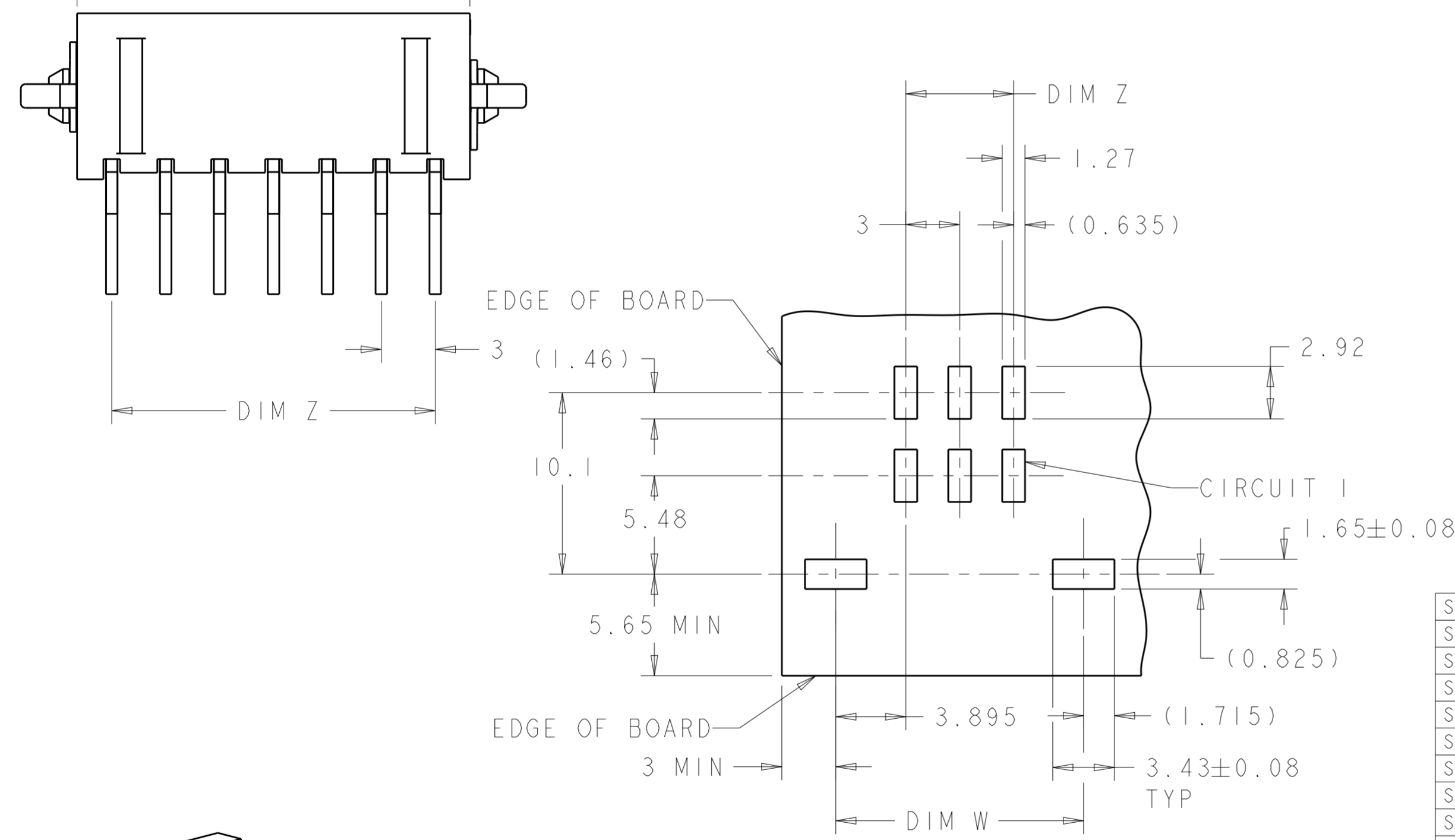
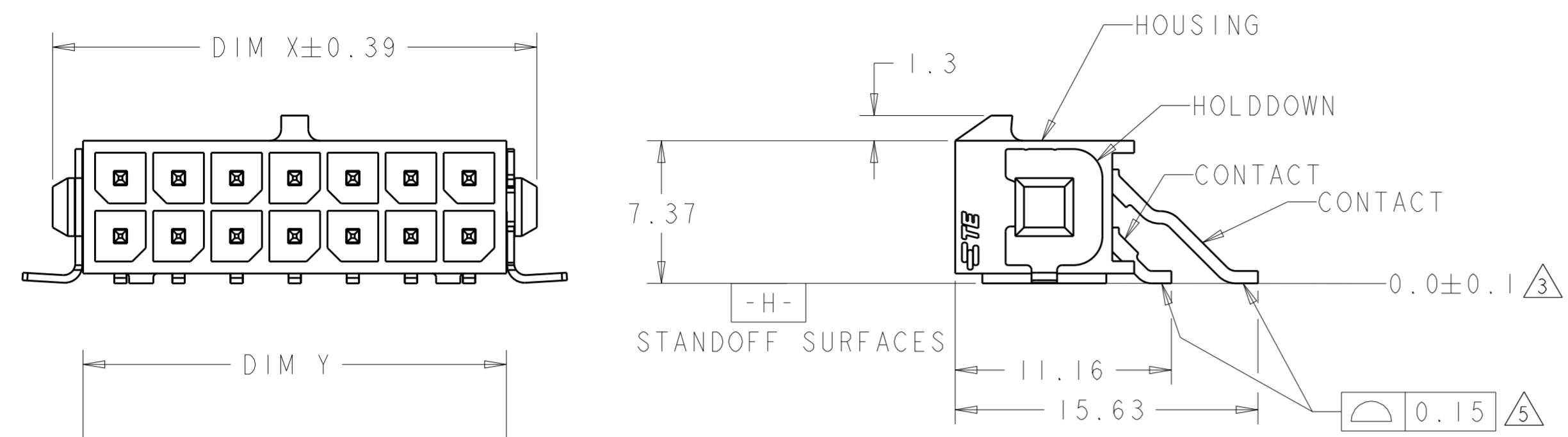


THIS DRAWING IS UNPUBLISHED. RELEASED FOR PUBLICATION 20  
 © COPYRIGHT 20 BY - ALL RIGHTS RESERVED.

REVISIONS					
P	LTR	DESCRIPTION	DATE	DWN	APVD
J1		REVISED PER ECR-16-011494	23JUN2017	NK	CX
J2		ECO-19-006502	30APR2019	AP	WS



SCALE 5:1

- ① MATERIAL;  
 CONTACTS - BRASS.  
 HOUSING - UL 94V-0 RATED HIGH TEMP NYLON,  
 COLOR; BLACK.  
 HOLD DOWNS - PHOSPHOR BRONZE.
- ② FINISH;  
 CONTACTS - 2.54µm MINIMUM TIN-LEAD OVER 1.27µm  
 MINIMUM NICKEL.  
 HOLD DOWNS - 2.54µm TIN-LEAD.
- ③ DIMENSION APPLIES TO SOLDER TAIL SURFACES  
 AND STANDOFF SURFACES.
- ④ RECOMMENDED PC BOARD THICKNESS OF 1.57.
- ⑤ ALL SOLDER TAILS AND HOLD DOWNS.
- ⑥ FINISH;  
 CONTACTS - 2.54µm MINIMUM MATTE TIN OVER 1.27µm  
 MINIMUM NICKEL.  
 HOLD DOWNS - 2.54µm MINIMUM MATTE TIN.

⑥	36.86	40.79	33.00	40.00	24	5-794627-4
⑥	33.86	37.79	30.00	37.00	22	5-794627-2
⑥	30.86	34.79	27.00	34.00	20	5-794627-0
⑥	27.86	31.79	24.00	31.00	18	4-794627-8
⑥	24.86	28.79	21.00	28.00	16	4-794627-6
⑥	21.86	25.79	18.00	25.00	14	4-794627-4
⑥	18.86	22.79	15.00	22.00	12	4-794627-2
⑥	15.86	19.79	12.00	19.00	10	4-794627-0
⑥	12.86	16.79	9.00	16.00	8	3-794627-8
⑥	9.86	13.79	6.00	13.00	6	3-794627-6
⑥	6.86	10.79	3.00	10.00	4	3-794627-4
⑥	3.86	7.79	-	7.00	2	3-794627-2
②	36.86	40.79	33.00	40.00	24	<del>2-794627-4</del>
②	33.86	37.79	30.00	37.00	22	<del>2-794627-2</del>
②	30.86	34.79	27.00	34.00	20	<del>2-794627-0</del>
②	27.86	31.79	24.00	31.00	18	<del>1-794627-8</del>
②	24.86	28.79	21.00	28.00	16	<del>1-794627-6</del>
②	21.86	25.79	18.00	25.00	14	<del>1-794627-4</del>
②	18.86	22.79	15.00	22.00	12	<del>1-794627-2</del>
②	15.86	19.79	12.00	19.00	10	<del>1-794627-0</del>
②	12.86	16.79	9.00	16.00	8	<del>794627-8</del>
②	9.86	13.79	6.00	13.00	6	<del>794627-6</del>
②	6.86	10.79	3.00	10.00	4	<del>794627-4</del>
②	3.86	7.79	-	7.00	2	<del>794627-2</del>

THIS DRAWING IS A CONTROLLED DOCUMENT.		DWN S. HOOVER 23-MAR-2005	TE Connectivity		
DIMENSIONS: mm		CHK C. JONES 23-MAR-2005	NAME SURFACE MOUNT, RIGHT ANGLE, SURFACE MOUNT HOLD DOWN, ASSEMBLY, TIN HEADER, DUAL ROW, MICRO MATE-N-LOK (TM)		
TOLERANCES UNLESS OTHERWISE SPECIFIED:		APVD C. JONES 23-MAR-2005	PRODUCT SPEC 108-1836		
0 PLC ±		APPLICATION SPEC 114-13000			
1 PLC ±		WEIGHT -			
2 PLC ±0.13		SIZE A200779			
3 PLC ±		CAGE CODE C-794627			
4 PLC ±		DRAWING NO G-794627			
ANGLES ±		RESTRICTED TO			
FINISH SEE TABLE		SCALE 4:1 SHEET 1 OF 1 REV J2			
MATERIAL ①		CUSTOMER DRAWING			

## X-ON Electronics

Largest Supplier of Electrical and Electronic Components

*Click to view similar products for te connectivity manufacturer:*

Other Similar products are found below :

[570416-000](#) [CLTEQ-M81CE-SSRELAY-4-20V](#) [D38999/24FJ4AN](#) [358838-000](#) [4-1195131-0](#) [650069-000](#) [SMD100-2](#) [CB-1022B-78](#)  
[RM707012](#) [RP410012](#) [MMS42](#) [1-640426-8](#) [2EDL4CM](#) [DTS20W19-11PD-3028-LC](#) [RM202615](#) [NC6-P104-06](#) [MSPS103B](#) [DTS26F21-41AE](#) [DTS26F21-41PE-LC](#) [DTS26F21-11SE-3028-LC](#) [1932144-1](#) [293545-4](#) [LVR125S](#) [MS27466T25F4PB](#) [CKB-38-78010](#)  
[1206SFF150F/63-2](#) [D38999/20JB35HA](#) [D38999/24WJ20PA](#) [1754138-1](#) [TE1500A2R2J](#) [DTS24F25-29PC-3028-LC](#) [D38999/24WG11HA](#)  
[D38999/24WG11HN](#) [MS27467T21F11H](#) [DJT16E21-11HA](#) [1206SFH150F/24-2](#) [DTS24F19-11SC-3028-LC](#) [DTS24F21-41HN-LC](#)  
[DTS24F21-41AN](#) [DTS24F21-41PN-LC](#) [RP330024](#) [MS27467T21F35J](#) [MS27467T21F11J](#) [MS27467T21F16H-LC](#) [MS27467T21F35H](#)  
[MS27467T21F41H-LC](#) [DJT16E21-11PA-LC](#) [DJT16E21-11HA-LC](#) [DJT16E21-11AA](#) [MS27467T21B11JA](#)