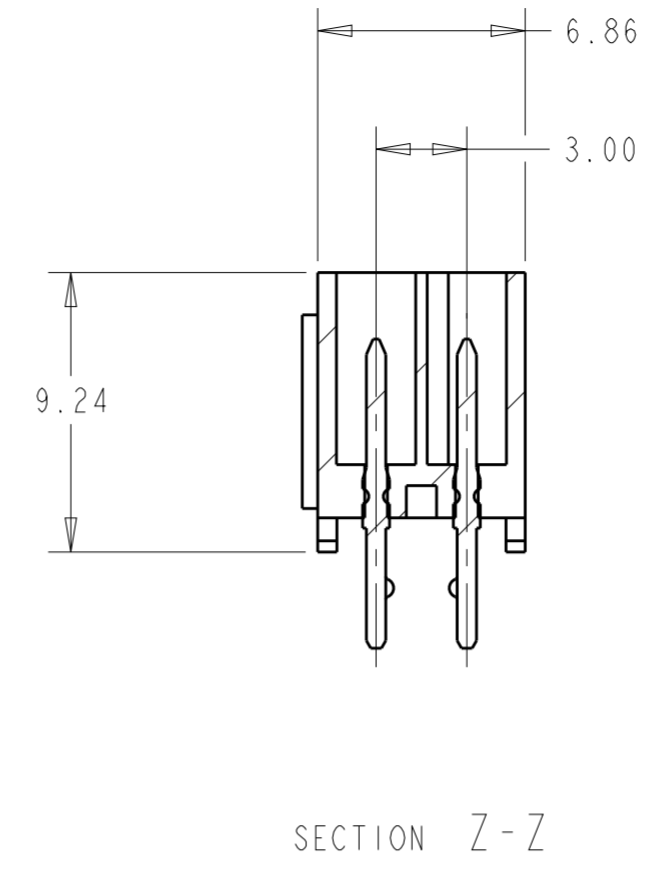
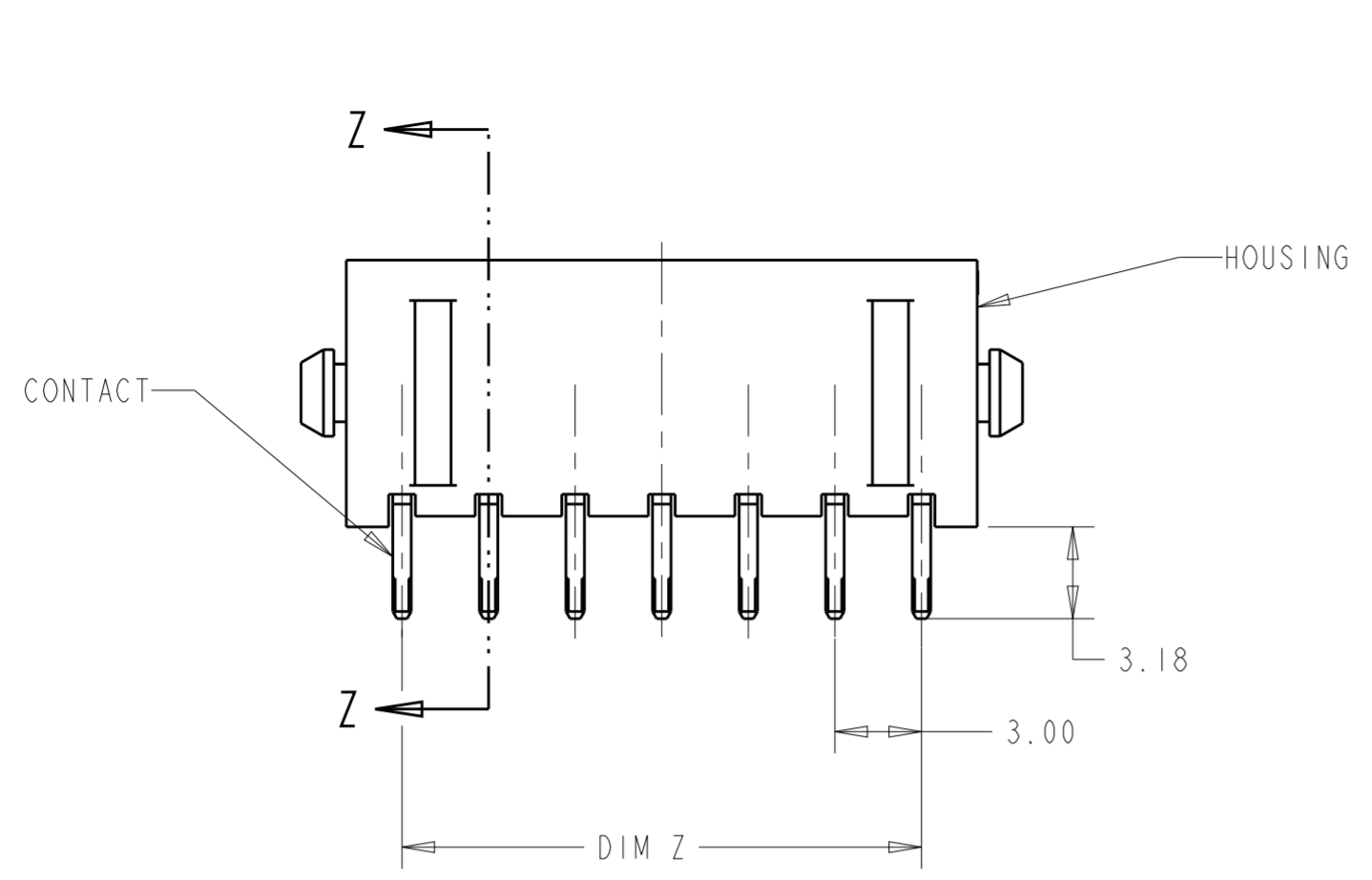
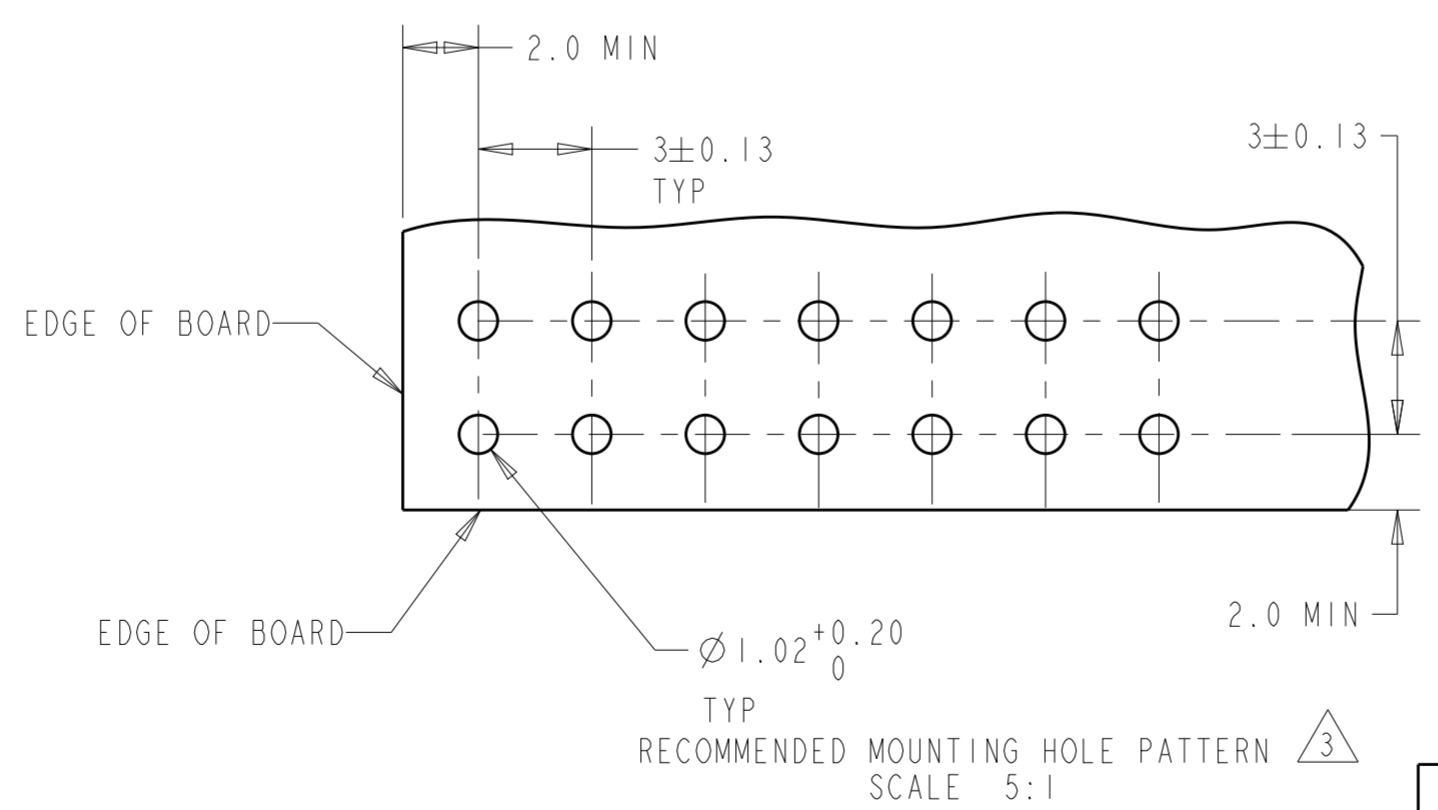
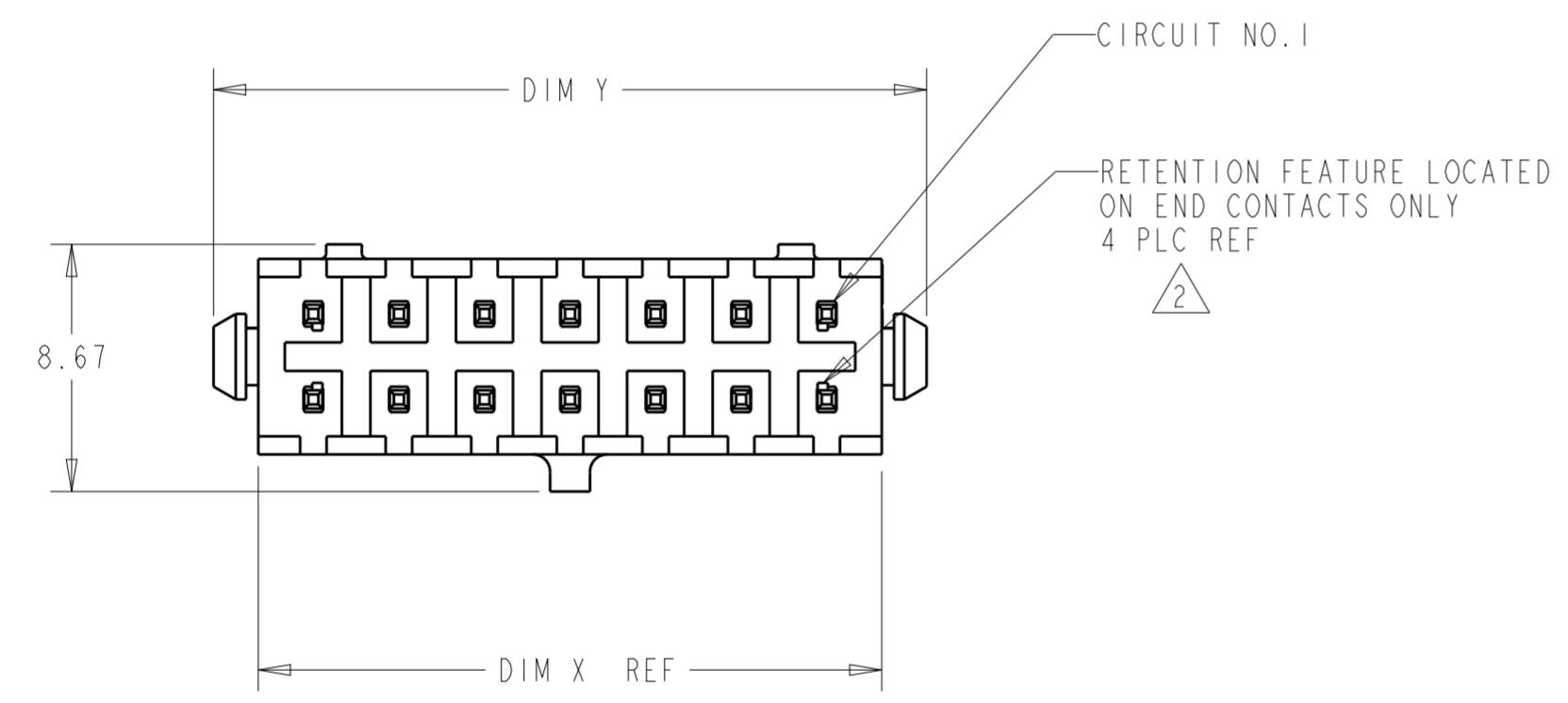


THIS DRAWING IS UNPUBLISHED. RELEASED FOR PUBLICATION  
 © COPYRIGHT 20 BY - ALL RIGHTS RESERVED.

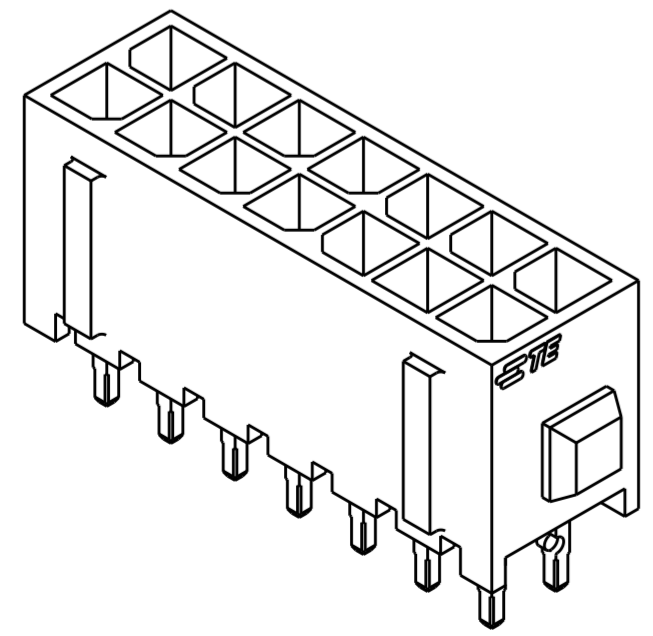
REVISIONS					
P	LTR	DESCRIPTION	DATE	DWN	APVD
F1		REVISED PER ECR-16-011494	21JUN2017	NK	CX
F2		ECO-19-006502	29APR2019	AP	WS



- 1 MATERIAL: HOUSING - NYLON, UL 94V-0, BLACK.  
CONTACT - BRASS.  
0.00254 MINIMUM TIN LEAD OVER  
0.00127 MINIMUM NICKEL ALL OVER.
- 2 MAXIMUM INSERTION 20 LBS.
- 3 RECOMMENDED BOARD THICKNESS 1.57.
- 4 MATERIAL: HOUSING - NYLON, UL 94V-0, BLACK.  
CONTACT - BRASS.  
0.00254 MINIMUM TIN OVER  
0.00127 MINIMUM NICKEL ALL OVER.



FINISH	DIM Y	DIM Z	DIM X	NO. OF POSN.	ASSEMBLY
4	40.00	33.00	36.86	24	5-794630-4
4	37.00	30.00	33.86	22	5-794630-2
4	34.00	27.00	30.86	20	5-794630-0
4	31.00	24.00	27.86	18	4-794630-8
4	28.00	21.00	24.86	16	4-794630-6
4	25.00	18.00	21.86	14	4-794630-4
4	22.00	15.00	18.86	12	4-794630-2
4	19.00	12.00	15.86	10	4-794630-0
4	16.00	9.00	12.86	8	3-794630-8
4	13.00	6.00	9.86	6	3-794630-6
4	10.00	3.00	6.86	4	3-794630-4
4	7.00	-	3.86	2	3-794630-2
1	40.00	33.00	36.86	24	2-794630-4
1	37.00	30.00	33.86	22	2-794630-2
1	34.00	27.00	30.86	20	2-794630-0
1	31.00	24.00	27.86	18	1-794630-8
1	28.00	21.00	24.86	16	1-794630-6
1	25.00	18.00	21.86	14	1-794630-4
1	22.00	15.00	18.86	12	1-794630-2
1	19.00	12.00	15.86	10	1-794630-0
1	16.00	9.00	12.86	8	794630-8
1	13.00	6.00	9.86	6	794630-6
1	10.00	3.00	6.86	4	794630-4
1	7.00	-	3.86	2	794630-2



THIS DRAWING IS A CONTROLLED DOCUMENT. DWN K. WHITAKER 20APR2005  
 CHK C. JONES 20APR2005  
 APVD C. JONES 20APR2005

TE Connectivity

NAME: VERTICAL HEADER ASSEMBLY, THRU HOLE, TIN, DUAL ROW, MICRO MATE-N-LOK(TM)

PRODUCT SPEC: 108-1836  
 APPLICATION SPEC: 114-13000

SIZE: A2 CAGE CODE: 00779 DRAWING NO: 794630  
 WEIGHT: -

RESTRICTED TO: -

CUSTOMER DRAWING SCALE: 4:1 SHEET: 1 OF 1 REV: F2

## X-ON Electronics

Largest Supplier of Electrical and Electronic Components

*Click to view similar products for te connectivity manufacturer:*

Other Similar products are found below :

[570416-000](#) [CLTEQ-M81CE-SSRELAY-4-20V](#) [D38999/24FJ4AN](#) [358838-000](#) [4-1195131-0](#) [650069-000](#) [SMD100-2](#) [CB-1022B-78](#)  
[RM707012](#) [RP410012](#) [MMS42](#) [1-640426-8](#) [2EDL4CM](#) [DTS20W19-11PD-3028-LC](#) [RM202615](#) [NC6-P104-06](#) [MSPS103B](#) [DTS26F21-41AE](#) [DTS26F21-41PE-LC](#) [DTS26F21-11SE-3028-LC](#) [1932144-1](#) [293545-4](#) [LVR125S](#) [MS27466T25F4PB](#) [CKB-38-78010](#)  
[1206SFF150F/63-2](#) [D38999/20JB35HA](#) [D38999/24WJ20PA](#) [1754138-1](#) [TE1500A2R2J](#) [DTS24F25-29PC-3028-LC](#) [D38999/24WG11HA](#)  
[D38999/24WG11HN](#) [MS27467T21F11H](#) [DJT16E21-11HA](#) [1206SFH150F/24-2](#) [DTS24F19-11SC-3028-LC](#) [DTS24F21-41HN-LC](#)  
[DTS24F21-41AN](#) [DTS24F21-41PN-LC](#) [RP330024](#) [MS27467T21F35J](#) [MS27467T21F11J](#) [MS27467T21F16H-LC](#) [MS27467T21F35H](#)  
[MS27467T21F41H-LC](#) [DJT16E21-11PA-LC](#) [DJT16E21-11HA-LC](#) [DJT16E21-11AA](#) [MS27467T21B11JA](#)