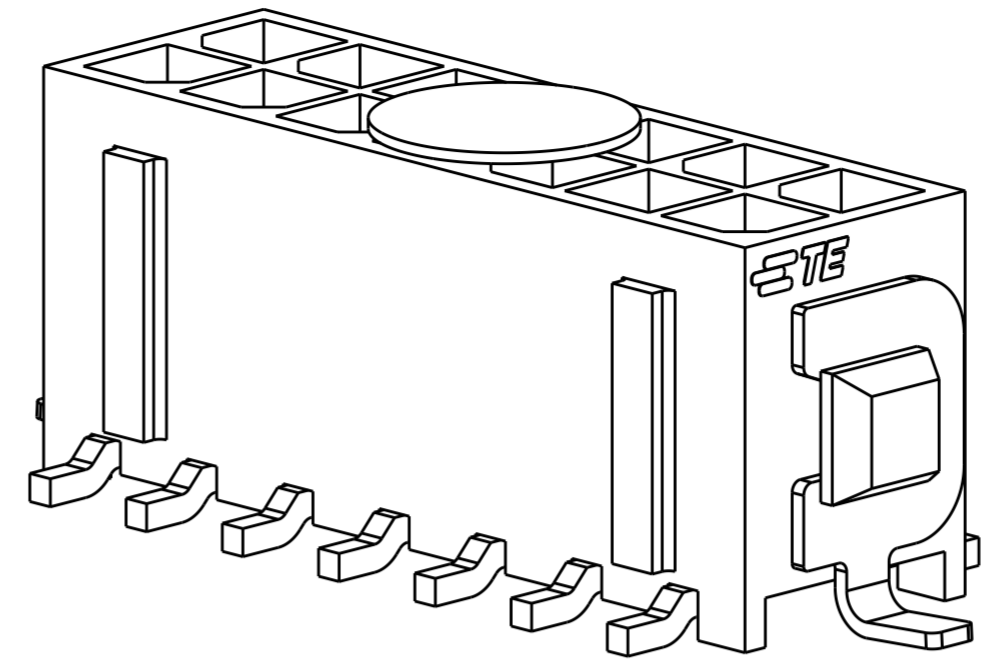
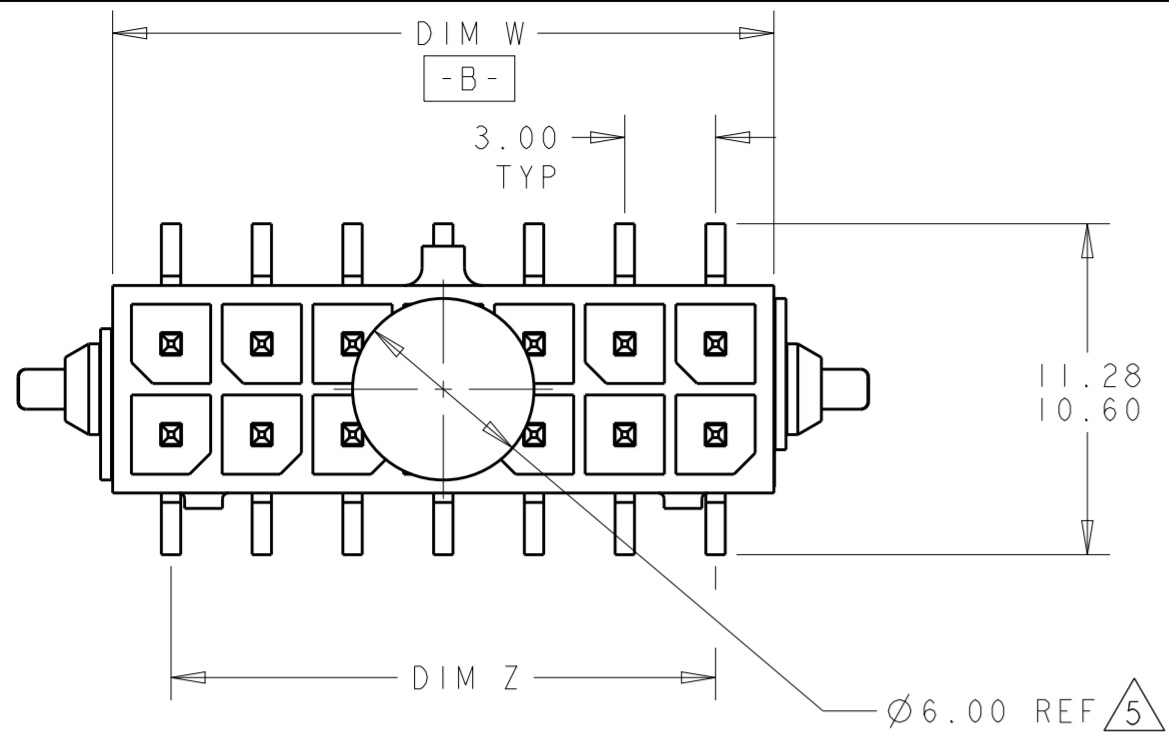
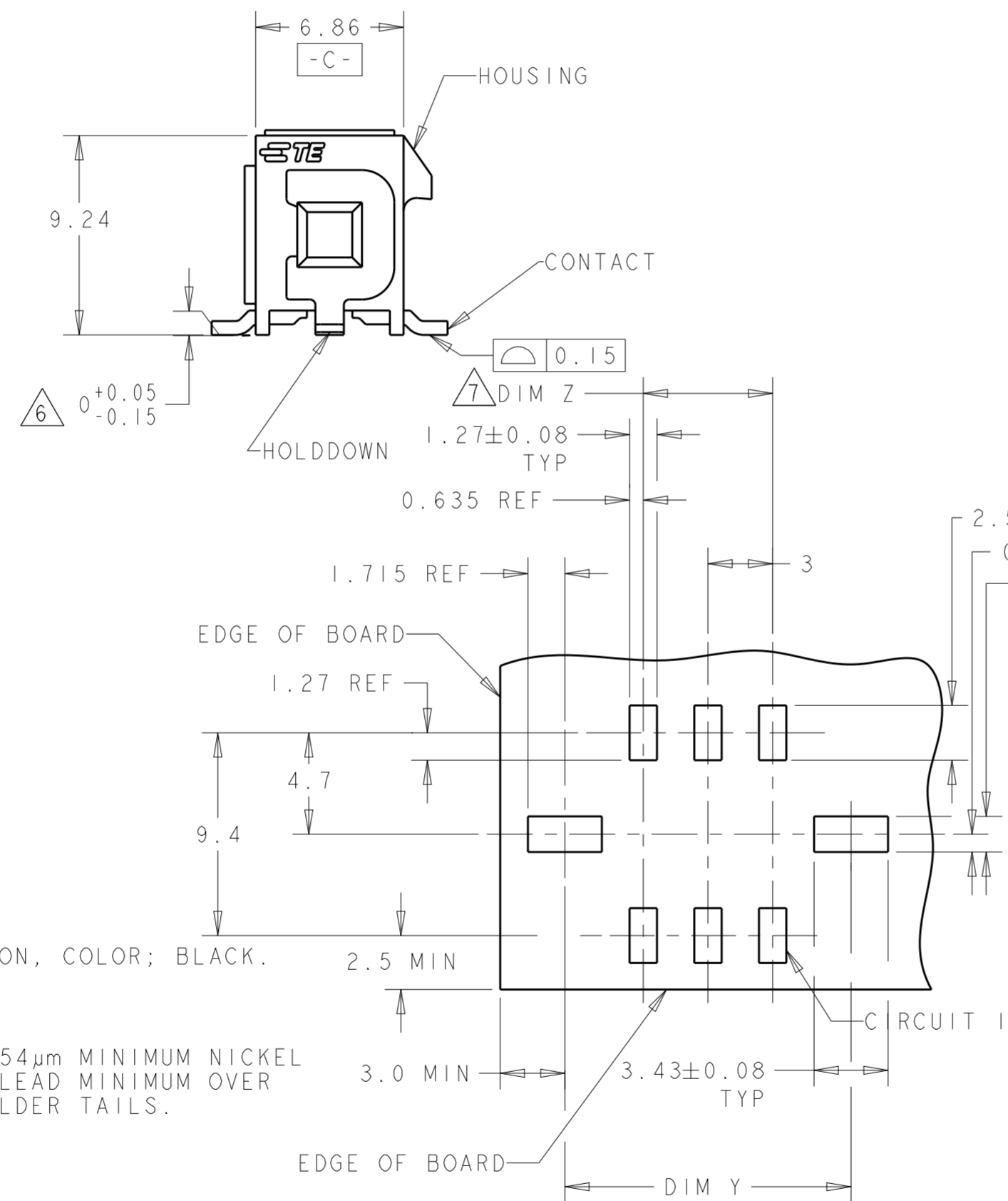
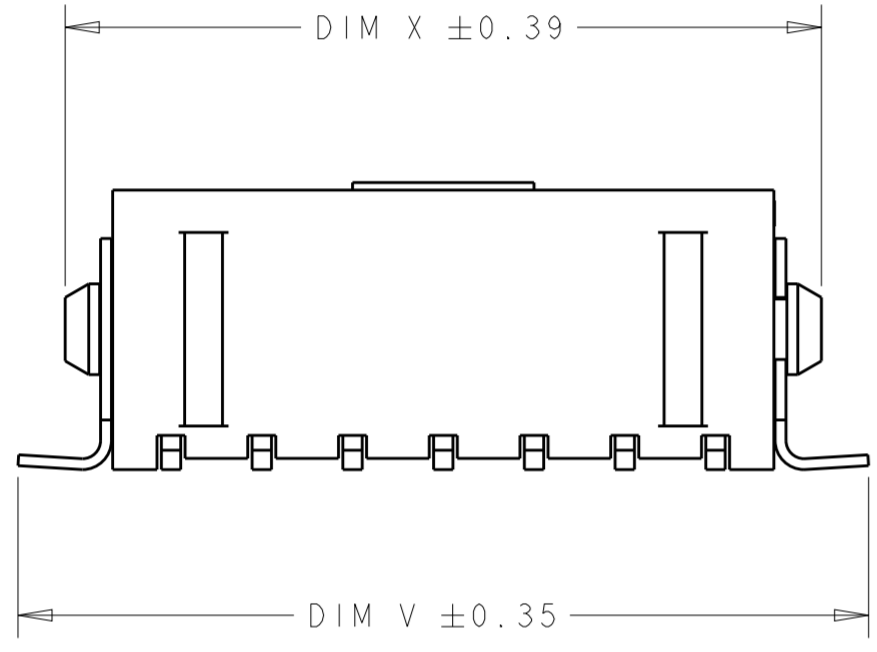


THIS DRAWING IS UNPUBLISHED. RELEASED FOR PUBLICATION 20  
 © COPYRIGHT 20 BY - ALL RIGHTS RESERVED.

REVISIONS					
P	LTR	DESCRIPTION	DATE	DWN	APVD
J2		REVISED PER ECR-17-017609	04DEC2017	JB	DZ
J3		ECO-19-006502	30APR2019	AP	WS



SCALE 6:1



FINISH	DIM V	DIM W	DIM Y	DIM Z	DIM X	NO. OF POSN.	PART NUMBER
△8	43.04	36.86	40.27	33.00	40.00	24	5-794637-4
△8	40.04	33.86	37.27	30.00	37.00	22	5-794637-2
△8	37.04	30.86	34.27	27.00	34.00	20	5-794637-0
△8	34.04	27.86	31.27	24.00	31.00	18	4-794637-8
△8	31.04	24.86	28.27	21.00	28.00	16	4-794637-6
△8	28.04	21.86	25.27	18.00	25.00	14	4-794637-4
△8	25.04	18.86	22.27	15.00	22.00	12	4-794637-2
△8	22.04	15.86	19.27	12.00	19.00	10	4-794637-0
△8	19.04	12.86	16.27	9.00	16.00	8	3-794637-8
△8	16.04	9.86	13.27	6.00	13.00	6	3-794637-6
△8	13.04	6.86	10.27	3.00	10.00	4	3-794637-4
△8	10.04	3.86	7.27	-	7.00	2	3-794637-2
△2	43.04	36.86	40.27	33.00	40.00	24	2-794637-4
△2	40.04	33.86	37.27	30.00	37.00	22	2-794637-2
△2	37.04	30.86	34.27	27.00	34.00	20	2-794637-0
△2	34.04	27.86	31.27	24.00	31.00	18	1-794637-8
△2	31.04	24.86	28.27	21.00	28.00	16	1-794637-6
△2	28.04	21.86	25.27	18.00	25.00	14	1-794637-4
△2	25.04	18.86	22.27	15.00	22.00	12	1-794637-2
△2	22.04	15.86	19.27	12.00	19.00	10	1-794637-0
△2	19.04	12.86	16.27	9.00	16.00	8	794637-8
△2	16.04	9.86	13.27	6.00	13.00	6	794637-6
△2	13.04	6.86	10.27	3.00	10.00	4	794637-4
△2	10.04	3.86	7.27	-	7.00	2	794637-2

- △1 MATERIAL;  
CONTACTS - BRASS.  
HOUSING - UL 94V-0 RATED HIGH TEMP NYLON, COLOR; BLACK.  
HOLDDOWNS - PHOSPHOR BRONZE.
- △2 PLATING;  
CONTACTS - 0.38µm MINIMUM GOLD OVER 2.54µm MINIMUM NICKEL ON MATING AREA. 2.54µm TIN-LEAD MINIMUM OVER 2.54µm NICKEL MINIMUM ON SOLDER TAILS.  
HOLDDOWNS - 2.54µm TIN LEAD.
- △4 RECOMMENDED PCB BOARD THICKNESS OF 1.57.
- △5 KAPTON VACUUM PICK UP BUTTON.
- △6 DIMENSION APPLIES TO SOLDER TAIL SURFACES AND STANDOFF SURFACES.
- △7 ALL SOLDER TAILS AND HOLDDOWNS.
- △8 PLATING;  
CONTACTS - 0.38µm MINIMUM GOLD OVER 2.54µm MINIMUM NICKEL ON MATING AREA. 2.54µm MATTE TIN MINIMUM OVER 2.54µm NICKEL MINIMUM ON SOLDER TAILS.  
HOLDDOWNS - 2.54µm MATTE TIN.

RECOMMENDED PCB LAYOUT (COMPONENT SIDE) △4

SUPERSEDED BY 5-794637-4  
 SUPERSEDED BY 5-794637-2  
 SUPERSEDED BY 5-794637-0  
 SUPERSEDED BY 4-794637-8  
 SUPERSEDED BY 4-794637-6  
 SUPERSEDED BY 4-794637-4  
 SUPERSEDED BY 4-794637-2  
 SUPERSEDED BY 4-794637-0  
 SUPERSEDED BY 3-794637-8  
 SUPERSEDED BY 3-794637-6  
 SUPERSEDED BY 3-794637-4  
 SUPERSEDED BY 3-794637-2

THIS DRAWING IS A CONTROLLED DOCUMENT.

DIMENSIONS: mm	TOLERANCES UNLESS OTHERWISE SPECIFIED: 0 PLC ± 1 PLC ± 2 PLC ±0.13 3 PLC ± 4 PLC ±	APVD C JONES 19-MAR-2003	TE Connectivity
MATERIAL △1	SEE TABLE	CHK C JONES 19-MAR-2003	
FINISH		PRODUCT SPEC 108-1836	NAME SURFACE MOUNT, VERTICAL, MECHANICAL HOLDDOWN, ASSEMBLY, 15 GOLD HEADER DUAL ROW, MICRO MATE-N-LOK TM
		APPLIC. SPEC 114-13000	SIZE A20779
		WEIGHT -	CAGE CODE C-794637
		CUSTOMER DRAWING	RESTRICTED TO -
		SCALE 4:1	SHEET 1 OF 1
			REV J3

## X-ON Electronics

Largest Supplier of Electrical and Electronic Components

*Click to view similar products for [Pin & Socket Connectors](#) category:*

*Click to view products by [TE Connectivity](#) manufacturer:*

Other Similar products are found below :

[6450822-1](#) [770392-1](#) [794042-1](#) [796885-1](#) [8-794535-1](#) [PLR3455ACS-222](#) [R929991004](#) [R929993003](#) [1403611-1](#) [1-480349-5](#) [152302-5](#)  
[153211-2](#) [1586092-1](#) [1586129-1](#) [1586681-4](#) [1586700-1](#) [1586368-1](#) [1586380-1](#) [1586616-1](#) [1586680-5](#) [16-06-0038](#) [164164-5](#) [1-6609930-1](#)  
[172296-1](#) [19-09-2035](#) [200503-1](#) [200788-2](#) [2029090-4](#) [2029095-4](#) [925061-7](#) [293734-4](#) [293737-2](#) [1-765362-4](#) [1871534-1](#) [200833-4](#)  
[2008625-2](#) [2029027-2](#) [2029096-4](#) [R929991000](#) [R929991002](#) [R929993000](#) [319-10-101-00-005000](#) [319-10-102-00-001000](#) [319-10-104-00-001000](#) [319-10-105-00-001000](#) [319-10-108-00-001000](#) [319-10-112-00-006000](#) [39-01-8019](#) [319-10-101-00-001000](#) [319-10-102-00-005000](#)