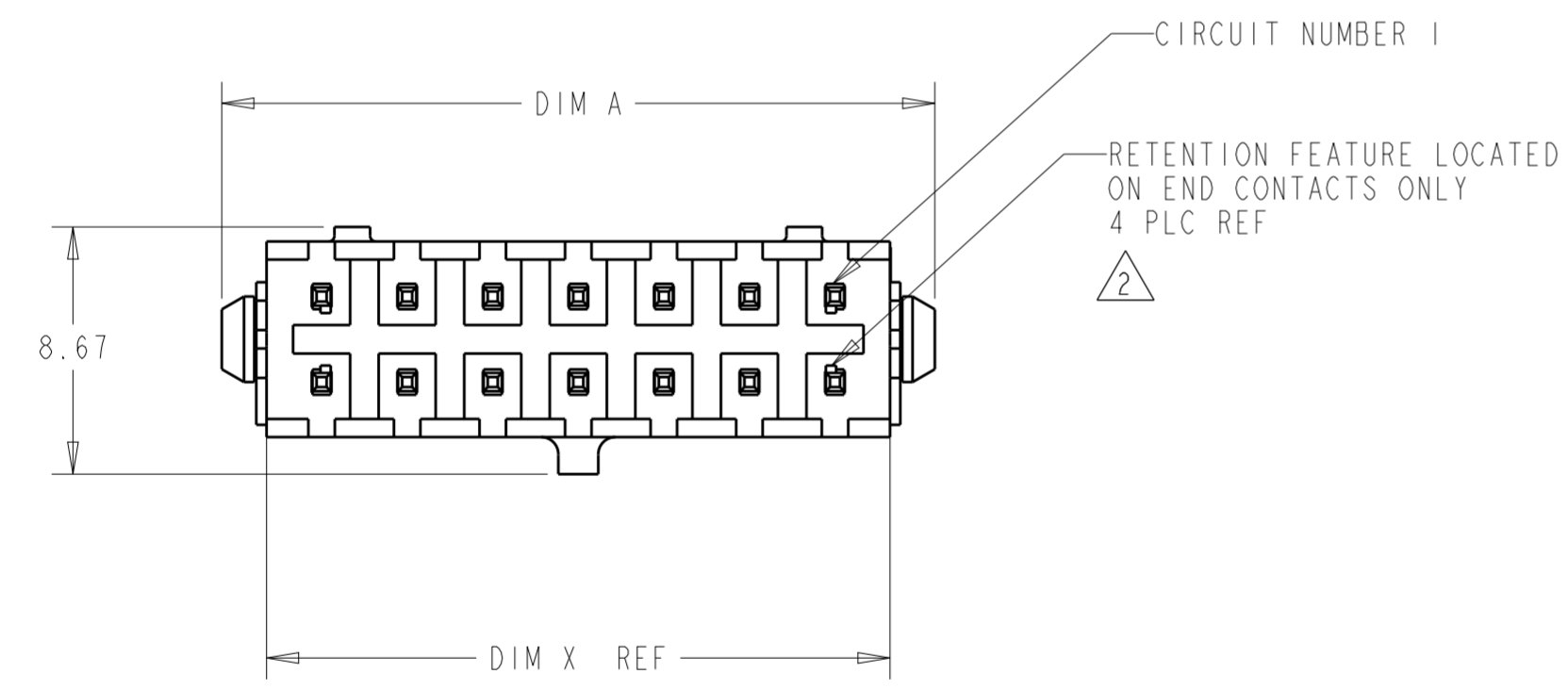
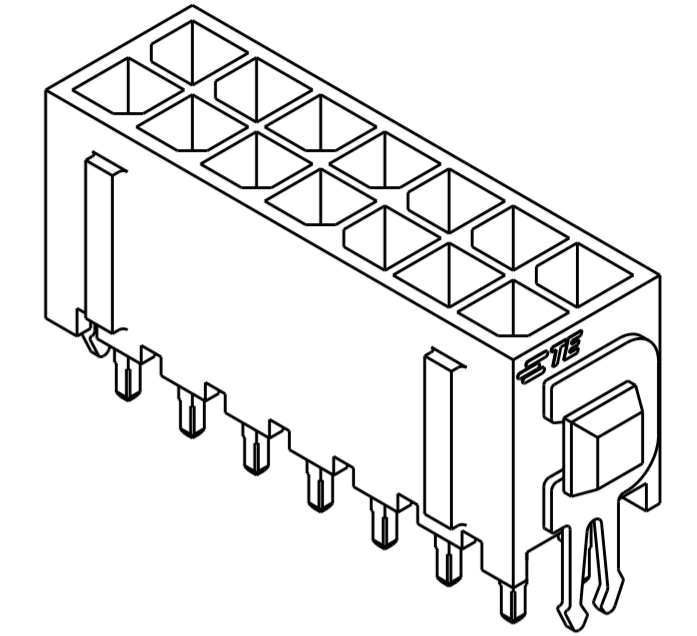
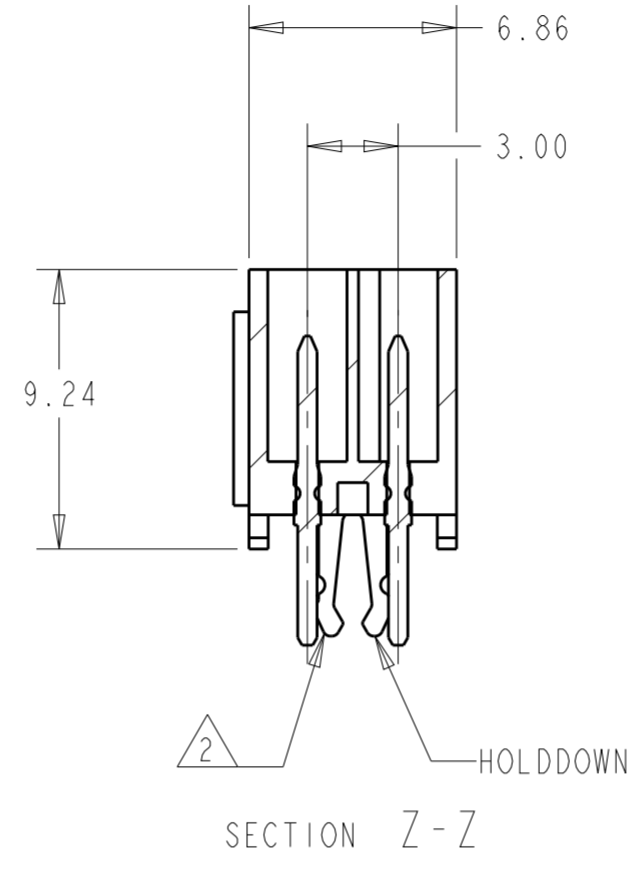
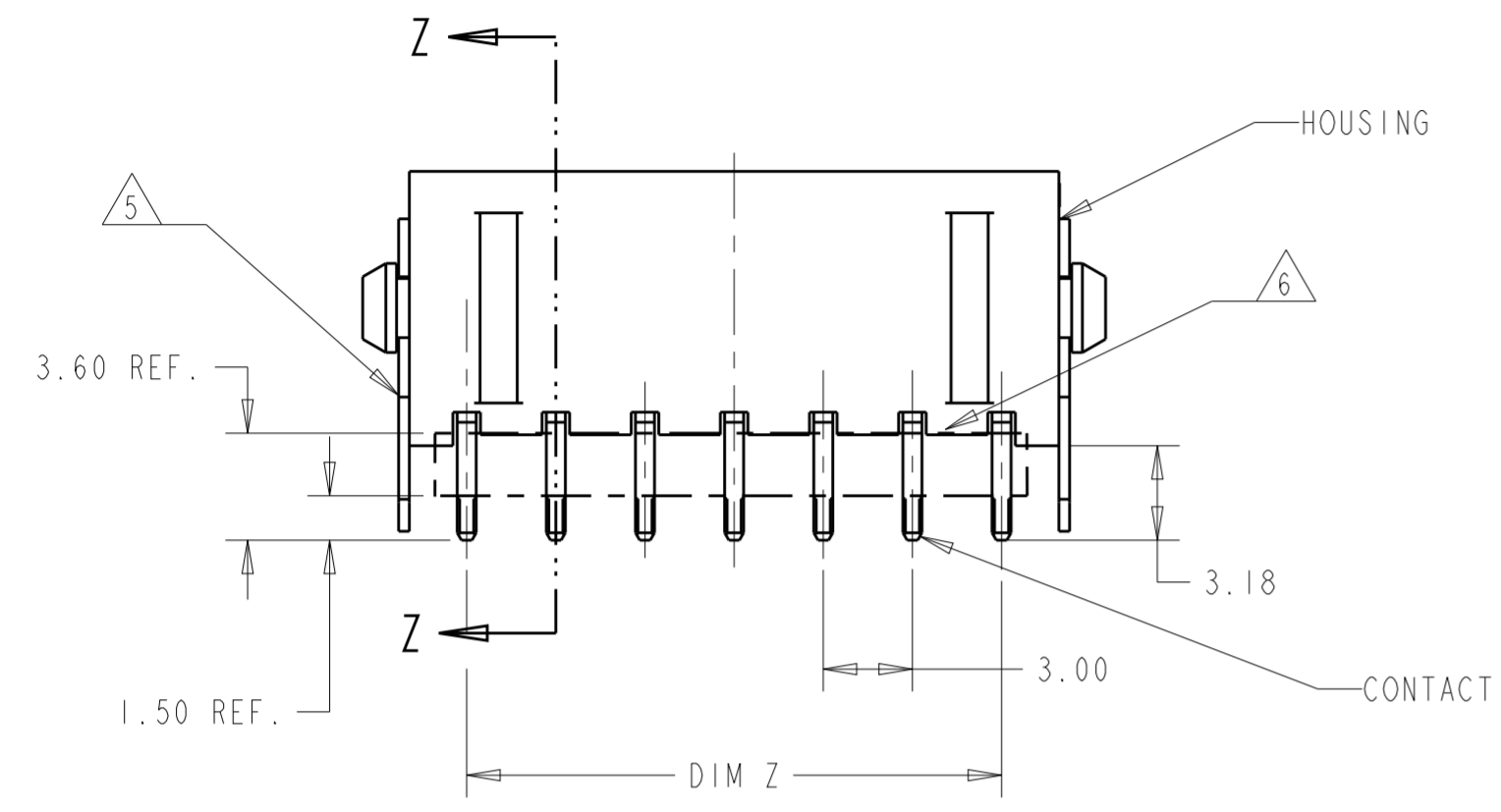


THIS DRAWING IS UNPUBLISHED. RELEASED FOR PUBLICATION 20  
 © COPYRIGHT 20 BY - ALL RIGHTS RESERVED.

REVISIONS					
P	LTR	DESCRIPTION	DATE	DWN	APVD
F1		REVISED PER ECR-16-011494	21JUN2017	NK	CX
F2		ECO-19-006502	29APR2019	AP	WLS
F3		REVISED PER ECO-19-012431	09AUG2019	WLS	DZ
F4		REVISED PER ECN-20-100556	21OCT2020	WLS	VS



- 1 MATERIAL: HOUSING - UL 94V-0 RATED HIGH TEMP. NYLON, COLOR BLACK.  
CONTACT - BRASS.  
HOLD DOWNS - PHOSPHOR BRONZE.
- 2 MAXIMUM INSERTION 30 LBS.
- 3 RECOMMENDED BOARD THICKNESS 1.57.
- 4 FINISH: CONTACT - 2.54µm MINIMUM MATTE TIN OVER 1.27µm MINIMUM NICKEL.  
HOLDDOWN - 2.54µm MINIMUM MATTE TIN OVER 1.27µm MINIMUM NICKEL.
- 5 ABSENT COMPONENT IN THIS SIDE ONLY.
- 6 CUTTING AREA REGION, NO PLATING IS PRESENT.
- 7 COUNTERPART RECOMMENDED IS PN 794617 (DASH ACCORDING TO NUMBER OF POSITION).
- 8 FOR REELLING DIRECTION AND PACKAGING TYPE, SEE SPECIFICATION 114-13000.

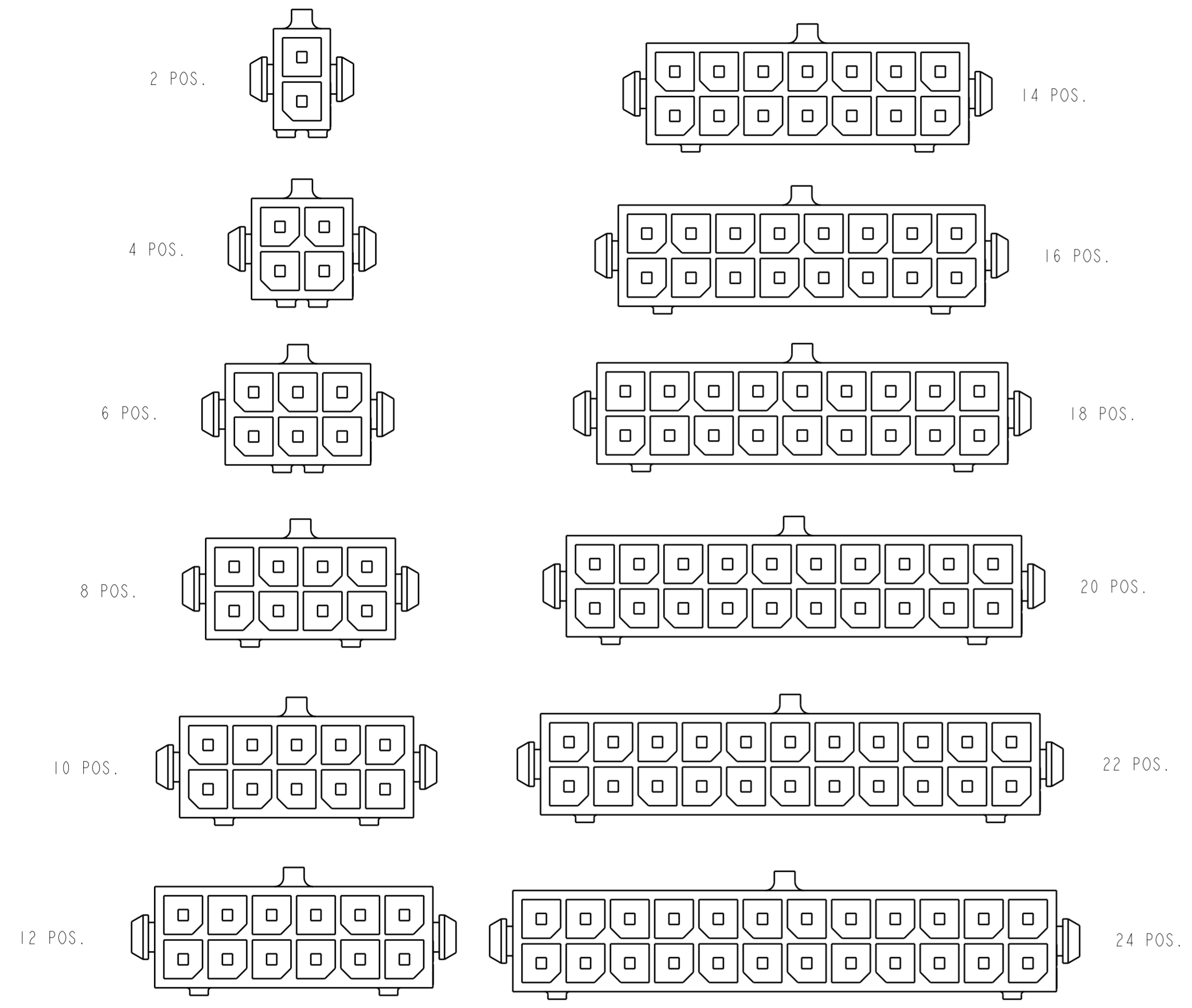
40.00	33.00	37.26	36.86	24	5-794680-4
37.00	30.00	34.26	33.86	22	5-794680-2
34.00	27.00	31.26	30.86	20	5-794680-0
31.00	24.00	28.26	27.86	18	4-794680-8
28.00	21.00	25.26	24.86	16	4-794680-6
25.00	18.00	22.26	21.86	14	4-794680-5
25.00	18.00	22.26	21.86	14	4-794680-4
22.00	15.00	19.26	18.86	12	4-794680-2
19.00	12.00	16.26	15.86	10	4-794680-0
16.00	9.00	13.26	12.86	8	3-794680-8
13.00	6.00	10.26	9.86	6	3-794680-6
10.00	3.00	7.26	6.86	4	3-794680-4
7.00	-	4.26	3.86	2	3-794680-2
DIM A	DIM Z	DIM Y	DIM X	NO. OF POSN.	ASSEMBLY

THIS DRAWING IS A CONTROLLED DOCUMENT.

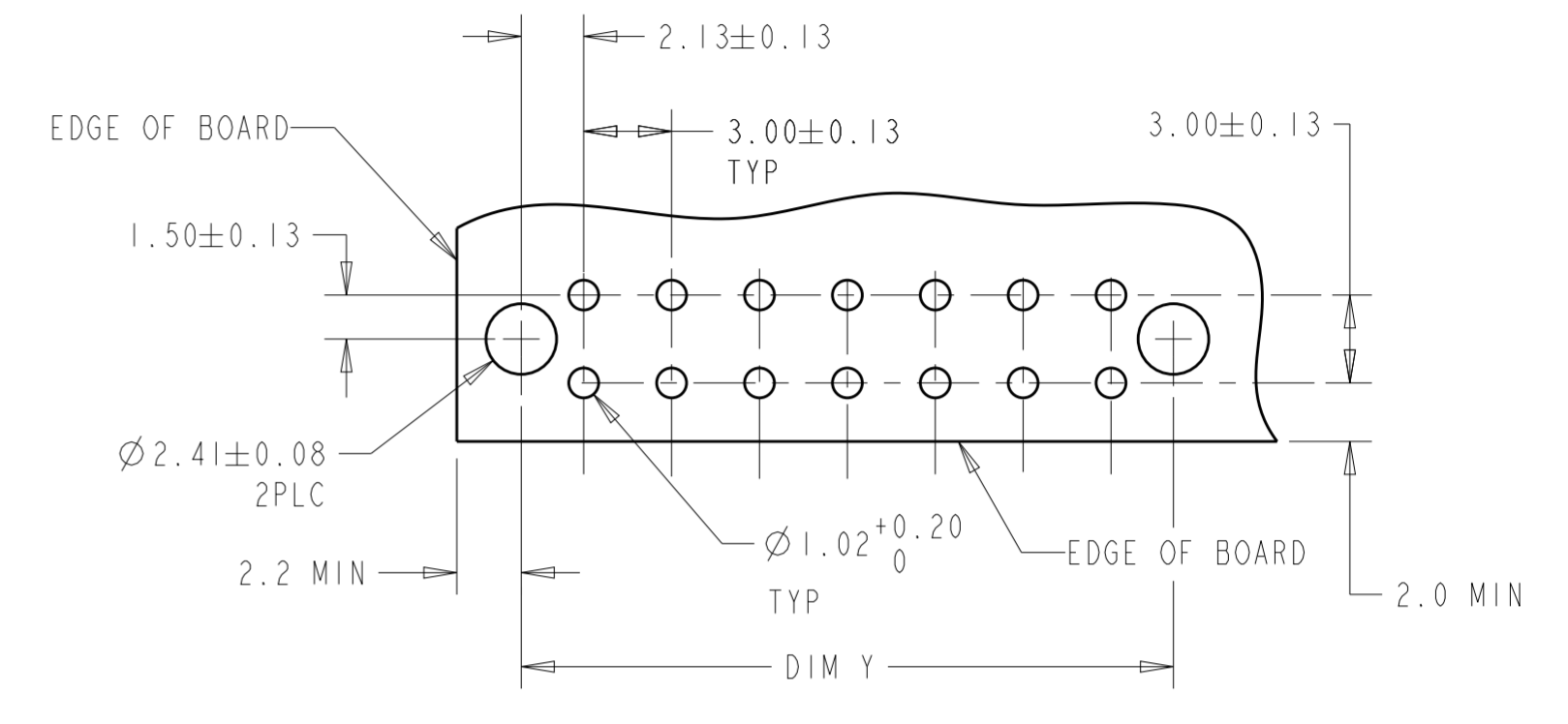
DIMENSIONS: mm [ INCHES ]	TOLERANCES UNLESS OTHERWISE SPECIFIED: 0 PLC ± 1 PLC ± 2 PLC ±0.20 [ .008 ] 3 PLC ± 4 PLC ± ANGLES ±1° FINISH	DWN S. HOOVER 23-MAR-2005 CHK C. JONES 23-MAR-2005 APVD C. JONES 23-MAR-2005	TE Connectivity	
		PRODUCT SPEC 108-1836	NAME VERTICAL HEADER ASSEMBLY, THRU HOLE, TIN, DUAL ROW, MICRO MATE-N-LOK(TM)	
MATERIAL		APPLICATION SPEC 114-13000	SIZE A2	CAGE CODE 00779
		WEIGHT -	DRAWING NO. G-794680	RESTRICTED TO -
CUSTOMER DRAWING			SCALE 4:1	SHEET 1 OF 2
			REV F4	

THIS DRAWING IS UNPUBLISHED. RELEASED FOR PUBLICATION 20  
 © COPYRIGHT 20 BY - ALL RIGHTS RESERVED.

REVISIONS				
P	LTR	DESCRIPTION	DATE	APVD
-	-	SEE SHEET 1	-	-



KEYING BY POSITION SIZE



RECOMMENDED MOUNTING HOLE PATTERN

THIS DRAWING IS A CONTROLLED DOCUMENT.		DWN S. HOOVER 23-MAR-2005	TE Connectivity	
DIMENSIONS: mm [ INCHES ]		CHK C. JONES 23-MAR-2005		
TOLERANCES UNLESS OTHERWISE SPECIFIED:		APVD C. JONES 23-MAR-2005	NAME VERTICAL HEADER ASSEMBLY, THRU HOLE, TIN, DUAL ROW, MICRO MATE-N-LOK (TM)	
0 PLC ±- 1 PLC ±- 2 PLC ±0.20 [ .008 ] 3 PLC ±- 4 PLC ±- ANGLES ±1° FINISH -		PRODUCT SPEC 108-1836	SIZE A2	CAGE CODE 00779
MATERIAL -		APPLICATION SPEC 114-13000	DRAWING NO G-794680	RESTRICTED TO -
-		WEIGHT -	SCALE 4:1 SHEET 2 OF 2 REV F4	
-		CUSTOMER DRAWING		

## X-ON Electronics

Largest Supplier of Electrical and Electronic Components

*Click to view similar products for [Pin & Socket Connectors](#) category:*

*Click to view products by [TE Connectivity](#) manufacturer:*

Other Similar products are found below :

[6450822-1](#) [770392-1](#) [794042-1](#) [796885-1](#) [8-794535-1](#) [PLR3455ACS-222](#) [R929991004](#) [R929993003](#) [1403611-1](#) [1-480349-5](#) [152302-5](#)  
[153211-2](#) [1586092-1](#) [1586129-1](#) [1586681-4](#) [1586700-1](#) [1586368-1](#) [1586380-1](#) [1586616-1](#) [1586680-5](#) [16-06-0038](#) [164164-5](#) [1-6609930-1](#)  
[172296-1](#) [19-09-2035](#) [200503-1](#) [200788-2](#) [2029090-4](#) [2029095-4](#) [925061-7](#) [293734-4](#) [293737-2](#) [1-765362-4](#) [1871534-1](#) [200833-4](#)  
[2008625-2](#) [2029027-2](#) [2029096-4](#) [R929991000](#) [R929991002](#) [R929993000](#) [319-10-101-00-005000](#) [319-10-102-00-001000](#) [319-10-104-00-001000](#) [319-10-105-00-001000](#) [319-10-108-00-001000](#) [319-10-112-00-006000](#) [39-01-8019](#) [319-10-101-00-001000](#) [319-10-102-00-005000](#)