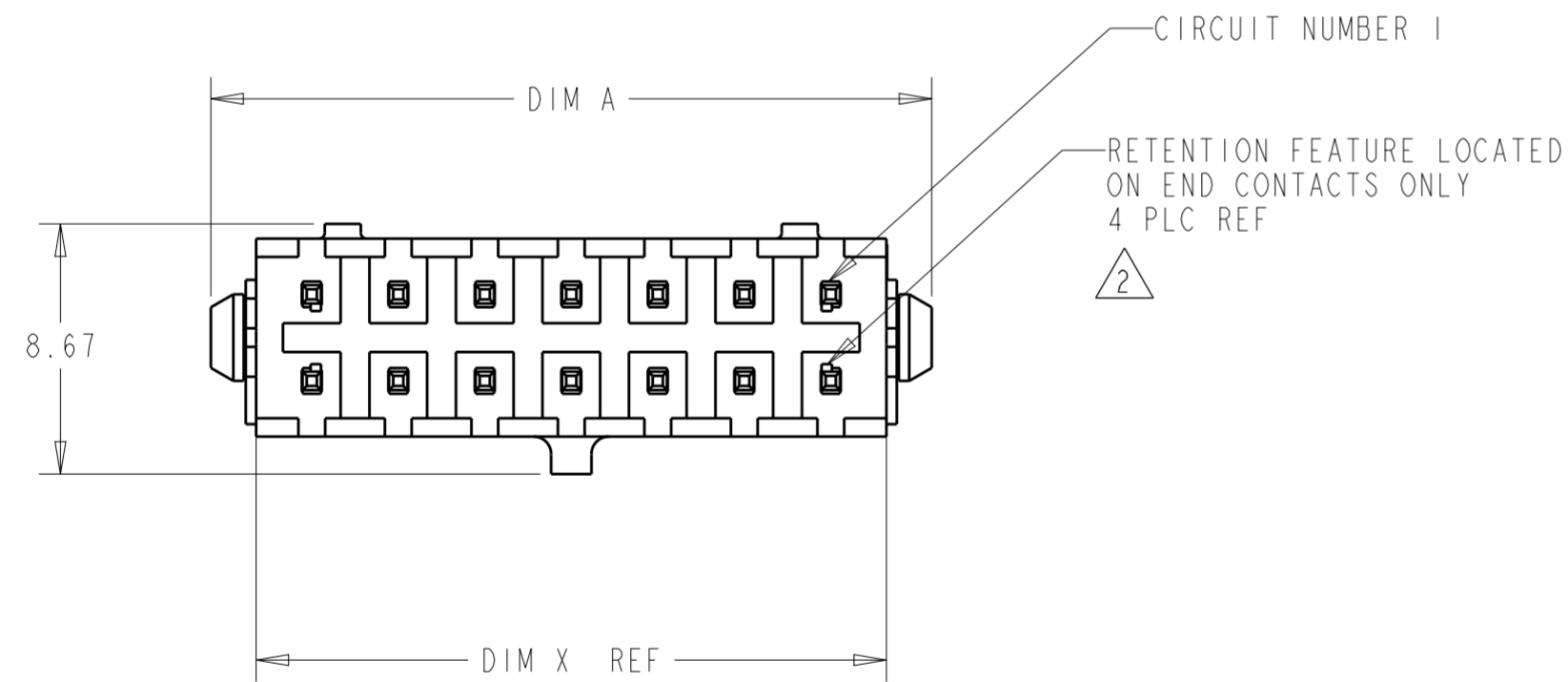
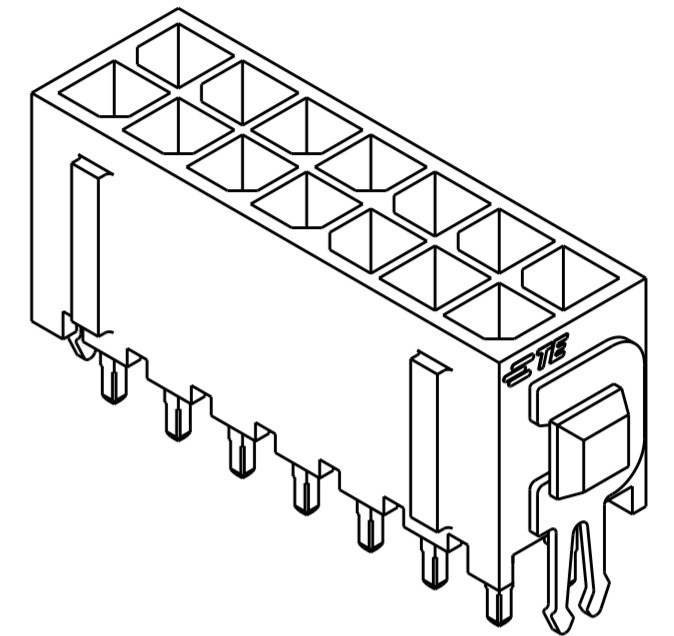
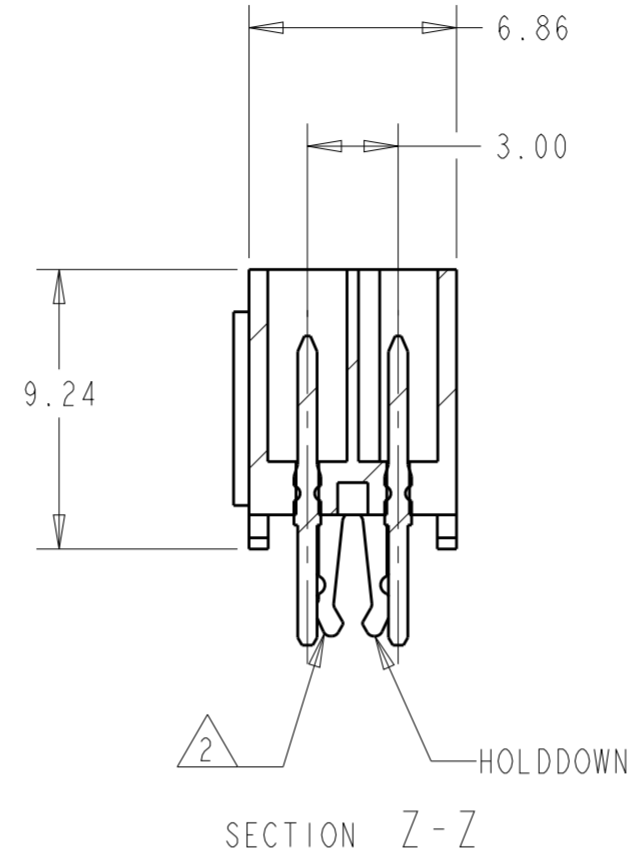
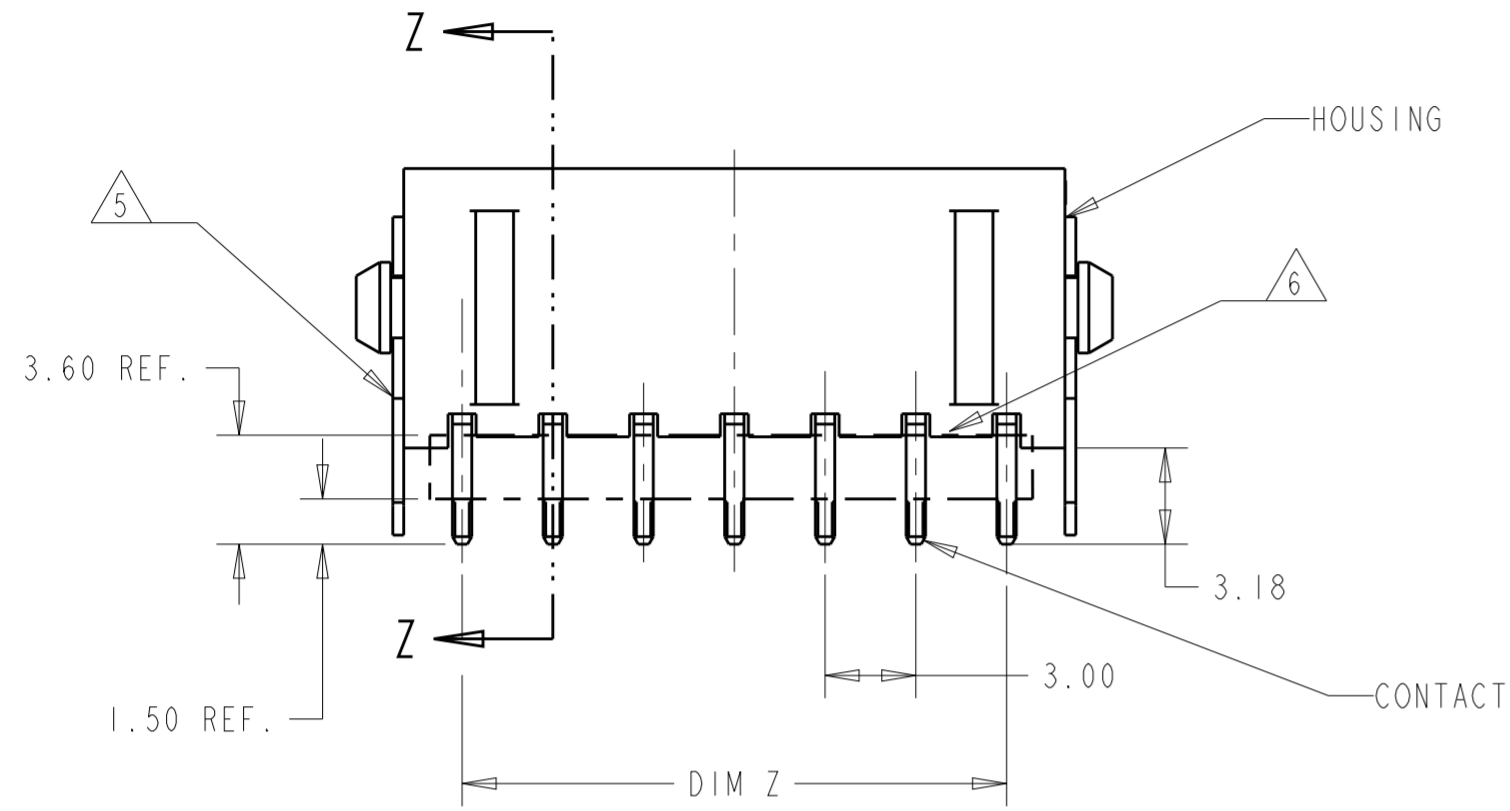


THIS DRAWING IS UNPUBLISHED. RELEASED FOR PUBLICATION 20  
 © COPYRIGHT 20 BY - ALL RIGHTS RESERVED.

| REVISIONS |     |                           |           |     |      |
|-----------|-----|---------------------------|-----------|-----|------|
| P         | LTR | DESCRIPTION               | DATE      | DWN | APVD |
| F1        |     | REVISED PER ECR-16-011494 | 21JUN2017 | NK  | CX   |
| F2        |     | ECO-19-006502             | 29APR2019 | AP  | WLS  |
| F3        |     | REVISED PER ECO-19-012431 | 09AUG2019 | WLS | DZ   |
| F4        |     | REVISED PER ECN-20-100556 | 21OCT2020 | WLS | VS   |



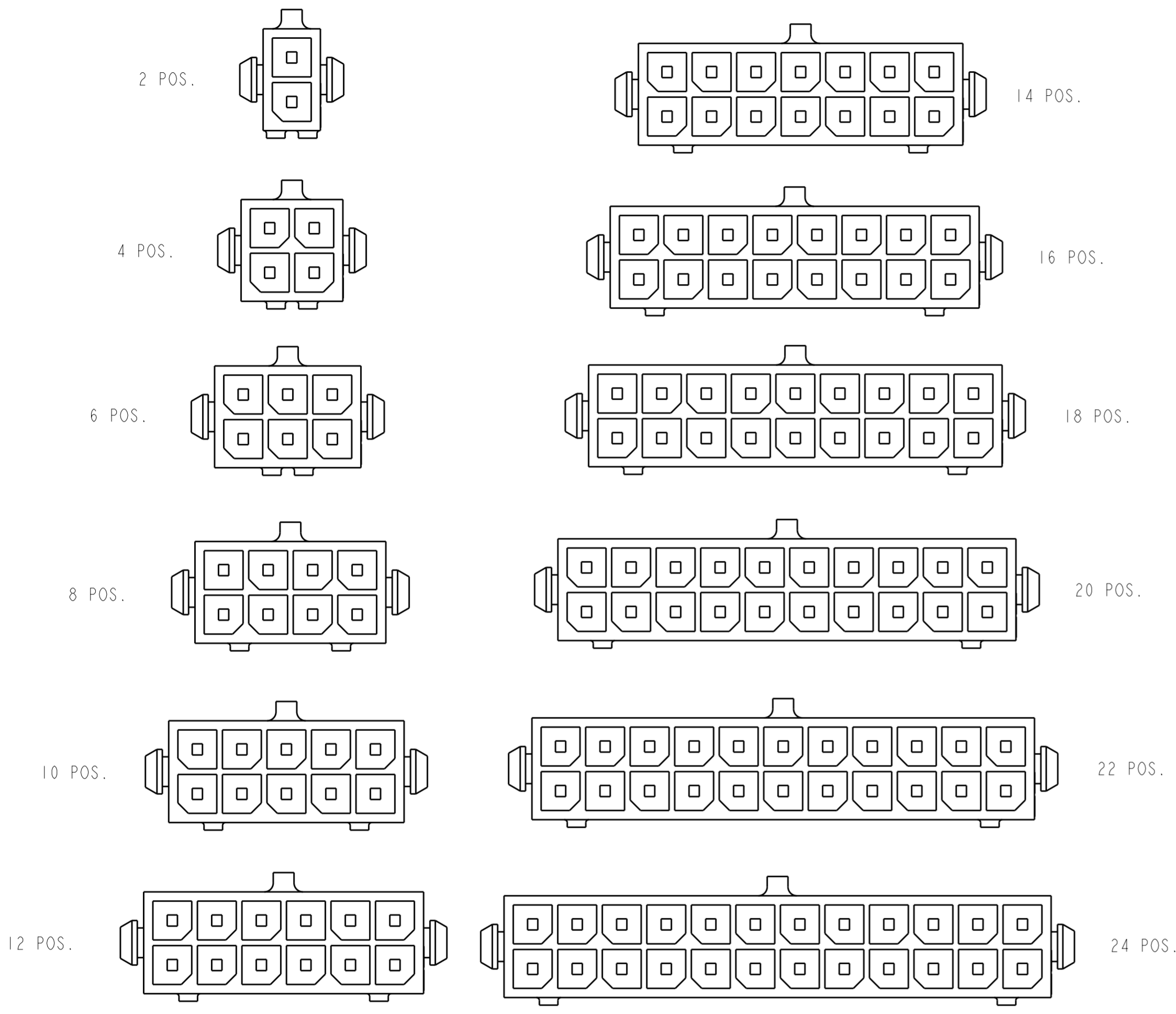
- 1 MATERIAL: HOUSING - UL 94V-0 RATED HIGH TEMP. NYLON, COLOR BLACK.  
CONTACT - BRASS.  
HOLD DOWNS - PHOSPHOR BRONZE.
- 2 MAXIMUM INSERTION 30 LBS.
- 3 RECOMMENDED BOARD THICKNESS 1.57.
- 4 FINISH: CONTACT - 2.54µm MINIMUM MATTE TIN OVER 1.27µm MINIMUM NICKEL.  
HOLDDOWN - 2.54µm MINIMUM MATTE TIN OVER 1.27µm MINIMUM NICKEL.
- 5 ABSENT COMPONENT IN THIS SIDE ONLY.
- 6 CUTTING AREA REGION, NO PLATING IS PRESENT.
- 7 COUNTERPART RECOMMENDED IS PN 794617 (DASH ACCORDING TO NUMBER OF POSITION).
- 8 FOR REELLING DIRECTION AND PACKAGING TYPE, SEE SPECIFICATION 114-13000.

|       |       |       |       |              |            |
|-------|-------|-------|-------|--------------|------------|
| 40.00 | 33.00 | 37.26 | 36.86 | 24           | 5-794680-4 |
| 37.00 | 30.00 | 34.26 | 33.86 | 22           | 5-794680-2 |
| 34.00 | 27.00 | 31.26 | 30.86 | 20           | 5-794680-0 |
| 31.00 | 24.00 | 28.26 | 27.86 | 18           | 4-794680-8 |
| 28.00 | 21.00 | 25.26 | 24.86 | 16           | 4-794680-6 |
| 25.00 | 18.00 | 22.26 | 21.86 | 14           | 4-794680-5 |
| 25.00 | 18.00 | 22.26 | 21.86 | 14           | 4-794680-4 |
| 22.00 | 15.00 | 19.26 | 18.86 | 12           | 4-794680-2 |
| 19.00 | 12.00 | 16.26 | 15.86 | 10           | 4-794680-0 |
| 16.00 | 9.00  | 13.26 | 12.86 | 8            | 3-794680-8 |
| 13.00 | 6.00  | 10.26 | 9.86  | 6            | 3-794680-6 |
| 10.00 | 3.00  | 7.26  | 6.86  | 4            | 3-794680-4 |
| 7.00  | -     | 4.26  | 3.86  | 2            | 3-794680-2 |
| DIM A | DIM Z | DIM Y | DIM X | NO. OF POSN. | ASSEMBLY   |

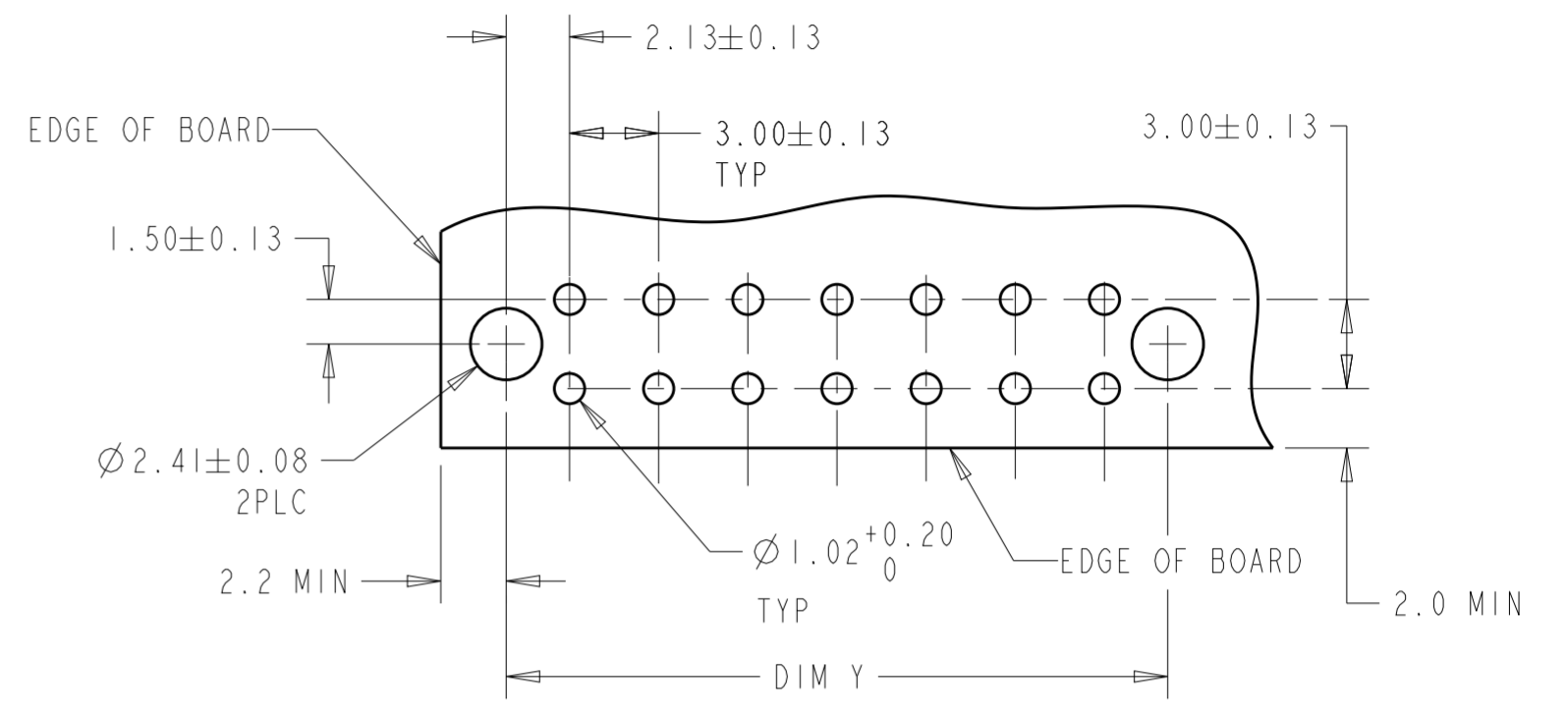
|  |  |                                 |  |                    |                         |
|--|--|---------------------------------|--|--------------------|-------------------------|
| THIS DRAWING IS A CONTROLLED DOCUMENT.                           |  | DWN<br>S. HOOVER<br>23-MAR-2005 | TE Connectivity  |                    |                         |
| DIMENSIONS:<br>mm [ INCHES ]                                     |  | CHK<br>C. JONES<br>23-MAR-2005  |  |                    |                         |
| TOLERANCES UNLESS OTHERWISE SPECIFIED:                           |  | APVD<br>C. JONES<br>23-MAR-2005 | NAME<br>VERTICAL HEADER ASSEMBLY,<br>THRU HOLE, TIN, DUAL ROW,<br>MICRO MATE-N-LOK(TM) |                    |                         |
| 0 PLC ±<br>1 PLC ±<br>2 PLC ±0.20 [ .008 ]<br>3 PLC ±<br>4 PLC ± |  | PRODUCT SPEC<br>108-1836        | SIZE<br>A2   | CAGE CODE<br>00779 | DRAWING NO.<br>G-794680 |
| ANGLES ±1°<br>FINISH   |  | APPLICATION SPEC<br>114-13000   | RESTRICTED TO  | -                  |                         |
| MATERIAL   |  | WEIGHT<br>-                     | SCALE 4:1 SHEET 1 OF 2 REV F4  |                    |                         |
| CUSTOMER DRAWING   |  |                                 |  |                    |                         |

THIS DRAWING IS UNPUBLISHED. RELEASED FOR PUBLICATION 20  
 © COPYRIGHT 20 BY - ALL RIGHTS RESERVED.

| REVISIONS |     |             |      |      |
|-----------|-----|-------------|------|------|
| P         | LTR | DESCRIPTION | DATE | APVD |
| -         | -   | SEE SHEET 1 | -    | -    |
|           |     |             |      |      |
|           |     |             |      |      |



KEYING BY POSITION SIZE



RECOMMENDED MOUNTING HOLE PATTERN

|  |  |                                 |  |                    |
|--|--|---------------------------------|--|--------------------|
| THIS DRAWING IS A CONTROLLED DOCUMENT.   |  | DWN<br>S. HOOVER<br>23-MAR-2005 | TE Connectivity  |                    |
| DIMENSIONS:<br>mm [ INCHES ]   |  | CHK<br>C. JONES<br>23-MAR-2005  |  |                    |
| TOLERANCES UNLESS OTHERWISE SPECIFIED:   |  | APVD<br>C. JONES<br>23-MAR-2005 | NAME<br>VERTICAL HEADER ASSEMBLY,<br>THRU HOLE, TIN, DUAL ROW,<br>MICRO MATE-N-LOK(TM) |                    |
| 0 PLC ±<br>1 PLC ±<br>2 PLC ±0.20 [ .008 ]<br>3 PLC ±<br>4 PLC ±<br>ANGLES ±1°<br>FINISH |  | PRODUCT SPEC<br>108-1836        | SIZE<br>A2   | CAGE CODE<br>00779 |
| MATERIAL   |  | APPLICATION SPEC<br>114-13000   | DRAWING NO.<br>G-794680  | RESTRICTED TO      |
| -  |  | WEIGHT                          | SCALE 4:1 SHEET 2 OF 2 REV F4  |                    |
| -  |  | CUSTOMER DRAWING                |  |                    |

## X-ON Electronics

Largest Supplier of Electrical and Electronic Components

*Click to view similar products for [Pin & Socket Connectors](#) category:*

*Click to view products by [TE Connectivity](#) manufacturer:*

Other Similar products are found below :

[6450822-1](#) [770392-1](#) [794042-1](#) [796885-1](#) [8-794535-1](#) [881459-2](#) [R929993003](#) [1-350779-3](#) [1403611-1](#) [1-480349-5](#) [1586092-1](#) [1586129-1](#)  
[1586487-1](#) [1586681-4](#) [1586700-1](#) [1586065-1](#) [1586077-1](#) [1586368-1](#) [1586380-1](#) [1586680-5](#) [1586681-2](#) [1604996-1](#) [16-06-0038](#) [164164-5](#) [1-](#)  
[6609930-1](#) [172296-1](#) [1-794714-6](#) [19-09-2035](#) [1969804-1](#) [200503-1](#) [200788-2](#) [201046-7](#) [202648-4](#) [2029076-2](#) [2029090-4](#) [2029095-4](#) [2-](#)  
[66102-6](#) [925061-7](#) [926681-1](#) [293734-4](#) [293737-2](#) [1-765362-4](#) [1-794606-3](#) [1871534-1](#) [1969795-1](#) [1969798-1](#) [1969800-1](#) [200833-4](#)  
[2008625-2](#) [2029027-2](#)