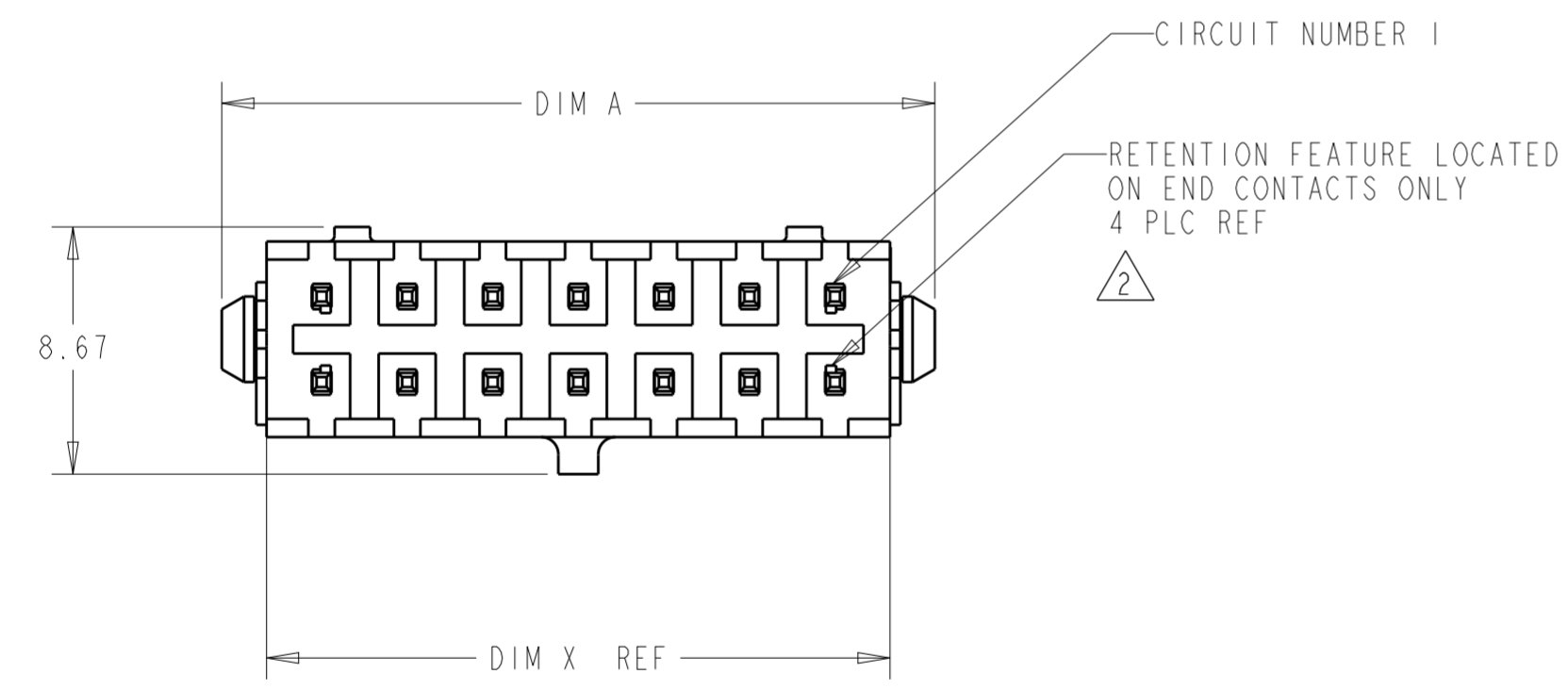
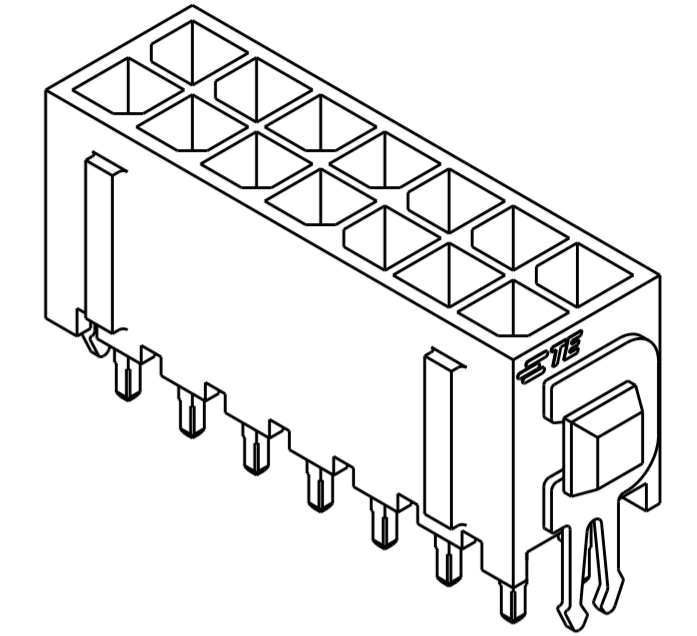
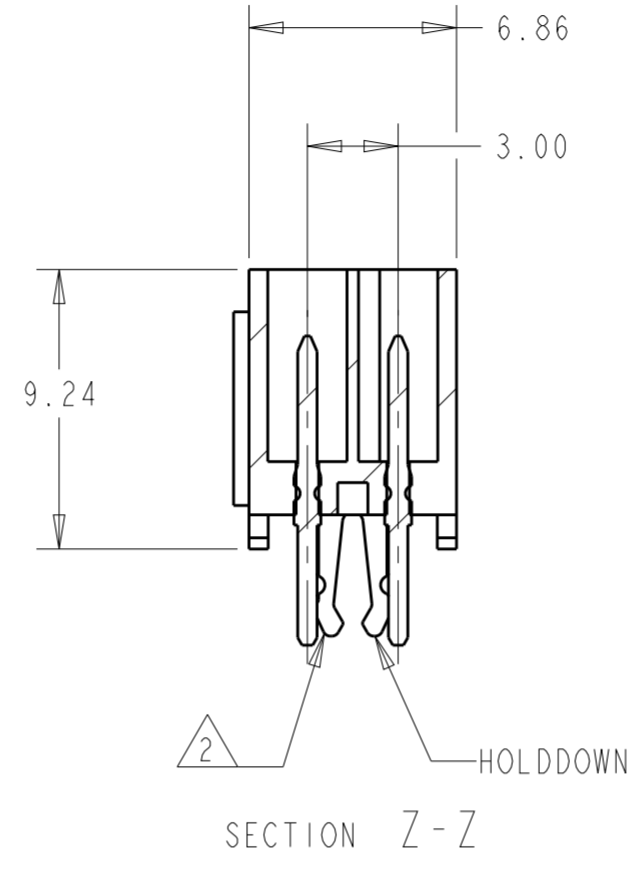
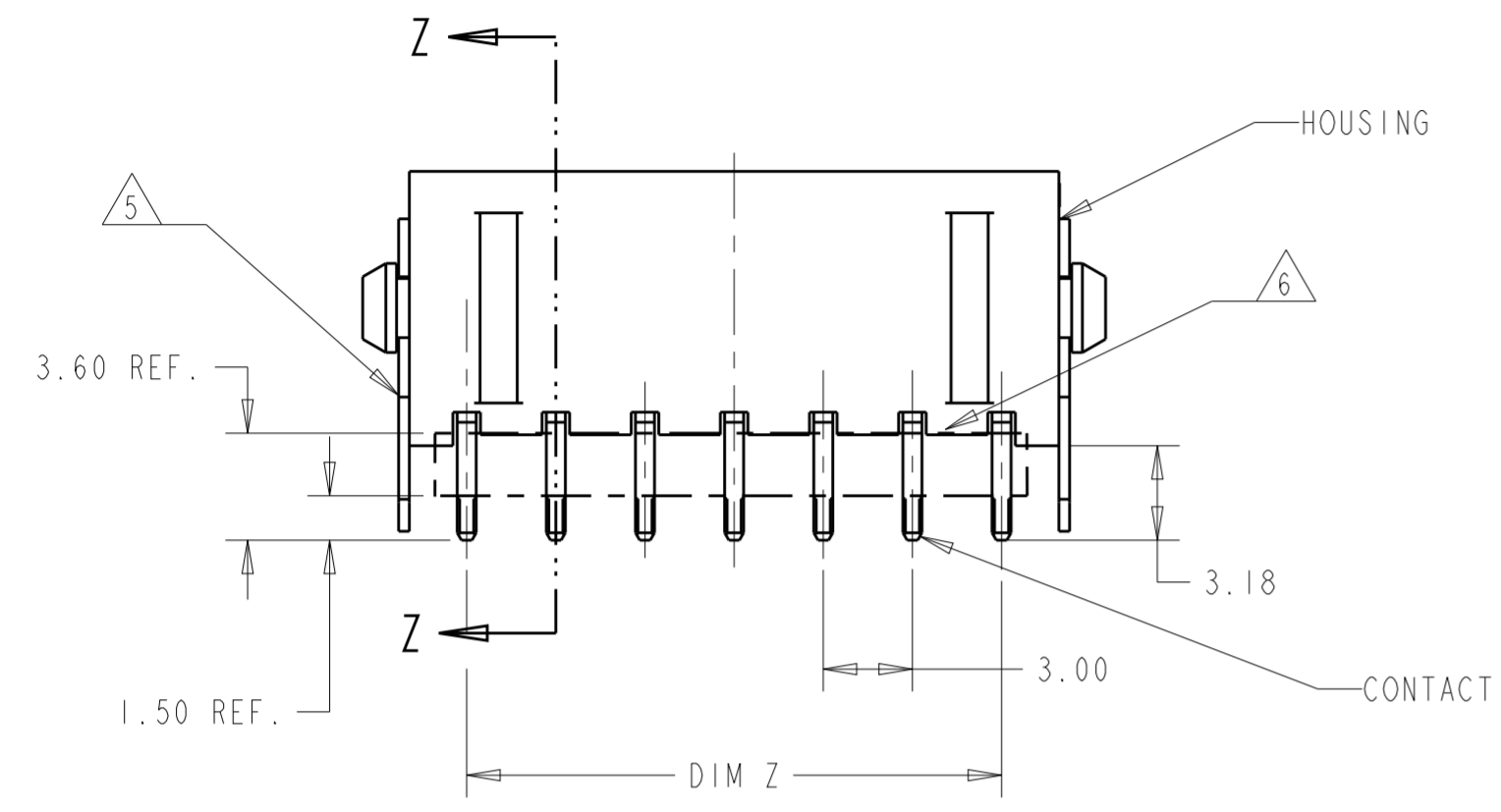


THIS DRAWING IS UNPUBLISHED. RELEASED FOR PUBLICATION 20
 © COPYRIGHT 20 BY - ALL RIGHTS RESERVED.

REVISIONS					
P	LTR	DESCRIPTION	DATE	DWN	APVD
F1		REVISED PER ECR-16-011494	21JUN2017	NK	CX
F2		ECO-19-006502	29APR2019	AP	WLS
F3		REVISED PER ECO-19-012431	09AUG2019	WLS	DZ
F4		REVISED PER ECN-20-100556	21OCT2020	WLS	VS



- 1 MATERIAL: HOUSING - UL 94V-0 RATED HIGH TEMP. NYLON, COLOR BLACK.
CONTACT - BRASS.
HOLD DOWNS - PHOSPHOR BRONZE.
- 2 MAXIMUM INSERTION 30 LBS.
- 3 RECOMMENDED BOARD THICKNESS 1.57.
- 4 FINISH: CONTACT - 2.54µm MINIMUM MATTE TIN OVER 1.27µm MINIMUM NICKEL.
HOLDDOWN - 2.54µm MINIMUM MATTE TIN OVER 1.27µm MINIMUM NICKEL.
- 5 ABSENT COMPONENT IN THIS SIDE ONLY.
- 6 CUTTING AREA REGION, NO PLATING IS PRESENT.
- 7 COUNTERPART RECOMMENDED IS PN 794617 (DASH ACCORDING TO NUMBER OF POSITION).
- 8 FOR REELLING DIRECTION AND PACKAGING TYPE, SEE SPECIFICATION 114-13000.

40.00	33.00	37.26	36.86	24	5-794680-4
37.00	30.00	34.26	33.86	22	5-794680-2
34.00	27.00	31.26	30.86	20	5-794680-0
31.00	24.00	28.26	27.86	18	4-794680-8
28.00	21.00	25.26	24.86	16	4-794680-6
25.00	18.00	22.26	21.86	14	4-794680-5
25.00	18.00	22.26	21.86	14	4-794680-4
22.00	15.00	19.26	18.86	12	4-794680-2
19.00	12.00	16.26	15.86	10	4-794680-0
16.00	9.00	13.26	12.86	8	3-794680-8
13.00	6.00	10.26	9.86	6	3-794680-6
10.00	3.00	7.26	6.86	4	3-794680-4
7.00	-	4.26	3.86	2	3-794680-2
DIM A	DIM Z	DIM Y	DIM X	NO. OF POSN.	ASSEMBLY

THIS DRAWING IS A CONTROLLED DOCUMENT.

DWN S. HOOVER 23-MAR-2005
 CHK C. JONES 23-MAR-2005
 APVD C. JONES 23-MAR-2005

STE TE Connectivity

PRODUCT SPEC: 108-1836
 APPLICATION SPEC: 114-13000

NAME: VERTICAL HEADER ASSEMBLY, THRU HOLE, TIN, DUAL ROW, MICRO MATE-N-LOK(TM)

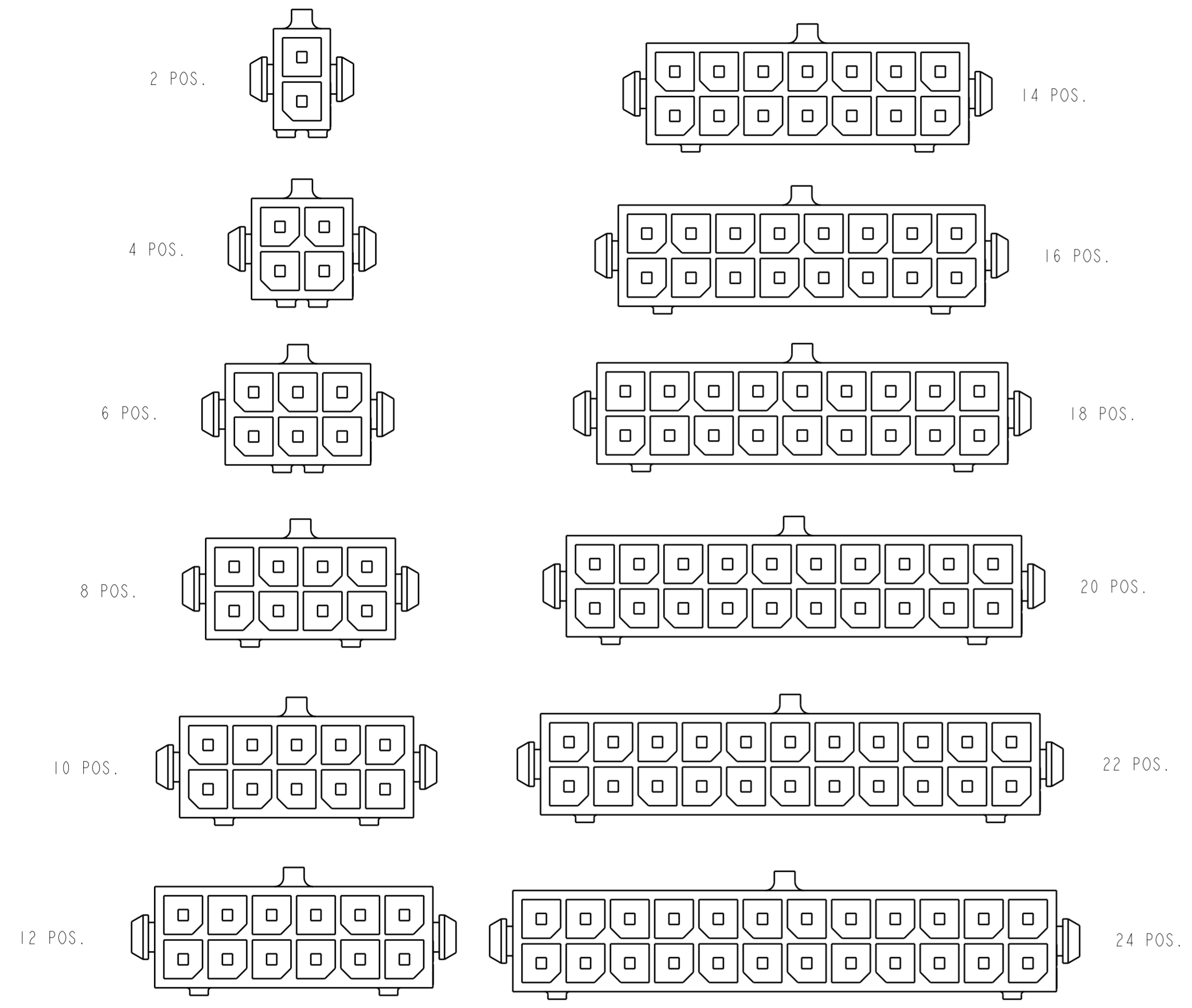
SIZE: A2 CAGE CODE: 00779 DRAWING NO: 794680 RESTRICTED TO: -

MATERIAL: 1 TOLERANCES UNLESS OTHERWISE SPECIFIED: 4

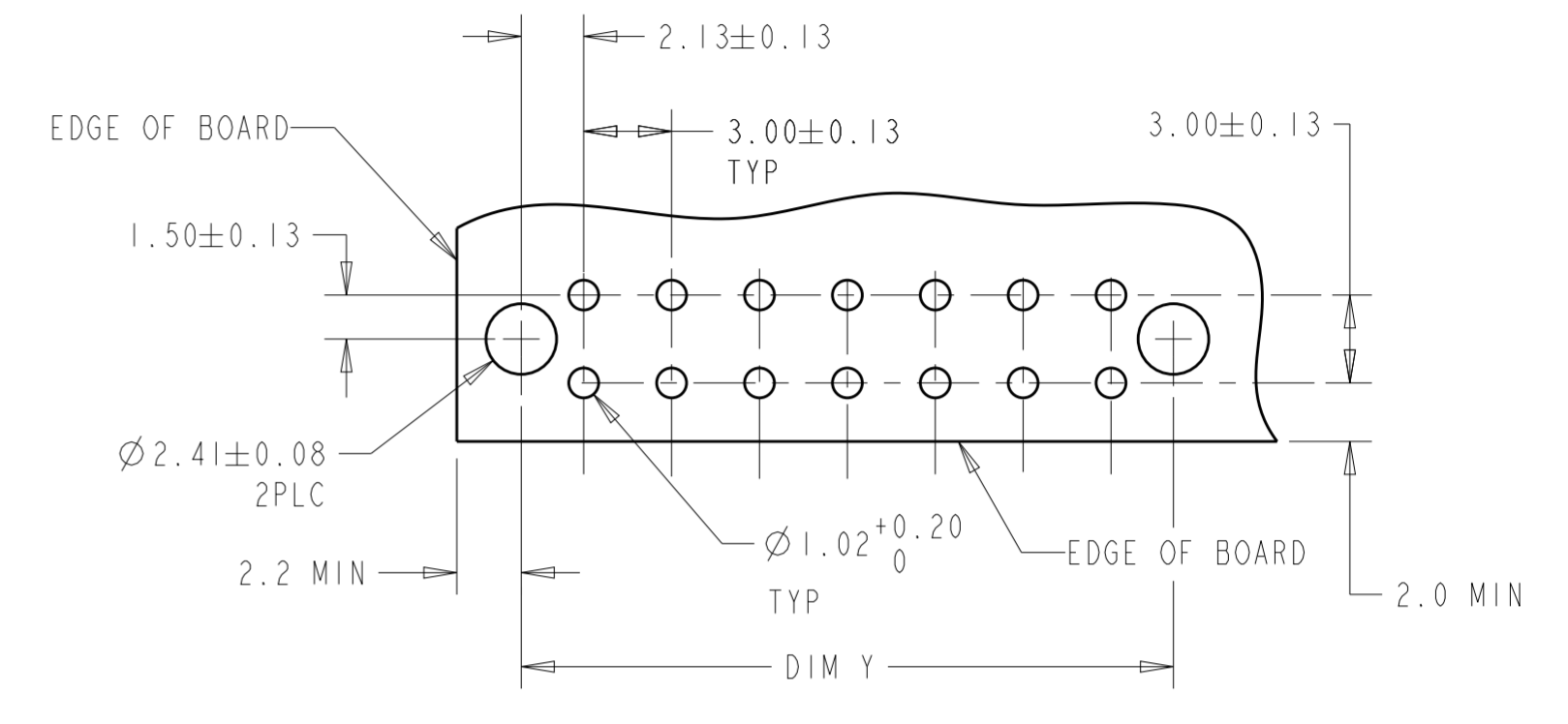
CUSTOMER DRAWING SCALE: 4:1 SHEET 1 OF 2 REV F4

THIS DRAWING IS UNPUBLISHED. RELEASED FOR PUBLICATION 20
 © COPYRIGHT 20 BY - ALL RIGHTS RESERVED.

REVISIONS					
P	LTR	DESCRIPTION	DATE	DWN	APVD
-	-	SEE SHEET 1	-	-	-



KEYING BY POSITION SIZE



RECOMMENDED MOUNTING HOLE PATTERN

THIS DRAWING IS A CONTROLLED DOCUMENT.		DWN S. HOOVER 23-MAR-2005	TE Connectivity	
DIMENSIONS: mm [INCHES]		CHK C. JONES 23-MAR-2005		
TOLERANCES UNLESS OTHERWISE SPECIFIED:		APVD C. JONES 23-MAR-2005	NAME VERTICAL HEADER ASSEMBLY, THRU HOLE, TIN, DUAL ROW, MICRO MATE-N-LOK (TM)	
0 PLC ± 1 PLC ± 2 PLC ±0.20 [.008] 3 PLC ± 4 PLC ± ANGLES ±1° FINISH -		PRODUCT SPEC 108-1836	SIZE A2	CAGE CODE 00779
MATERIAL -		APPLICATION SPEC 114-13000	DRAWING NO G-794680	RESTRICTED TO -
-		WEIGHT -	SCALE 4:1 SHEET 2 OF 2 REV F4	
-		CUSTOMER DRAWING		

X-ON Electronics

Largest Supplier of Electrical and Electronic Components

Click to view similar products for [Pin & Socket Connectors](#) category:

Click to view products by [TE Connectivity](#) manufacturer:

Other Similar products are found below :

[6450822-1](#) [770392-1](#) [794042-1](#) [796885-1](#) [8-794535-1](#) [PLR3455ACS-222](#) [R929991004](#) [R929993003](#) [1403611-1](#) [1-480349-5](#) [152302-5](#)
[153211-2](#) [1586092-1](#) [1586129-1](#) [1586681-4](#) [1586700-1](#) [1586368-1](#) [1586380-1](#) [1586616-1](#) [1586680-5](#) [16-06-0038](#) [164164-5](#) [1-6609930-1](#)
[172296-1](#) [19-09-2035](#) [200503-1](#) [200788-2](#) [2029090-4](#) [2029095-4](#) [925061-7](#) [293734-4](#) [293737-2](#) [1-765362-4](#) [1871534-1](#) [200833-4](#)
[2008625-2](#) [2029027-2](#) [2029096-4](#) [R929991000](#) [R929991002](#) [R929993000](#) [319-10-101-00-005000](#) [319-10-102-00-001000](#) [319-10-104-00-001000](#) [319-10-105-00-001000](#) [319-10-108-00-001000](#) [319-10-112-00-006000](#) [39-01-8019](#) [319-10-101-00-001000](#) [319-10-102-00-005000](#)