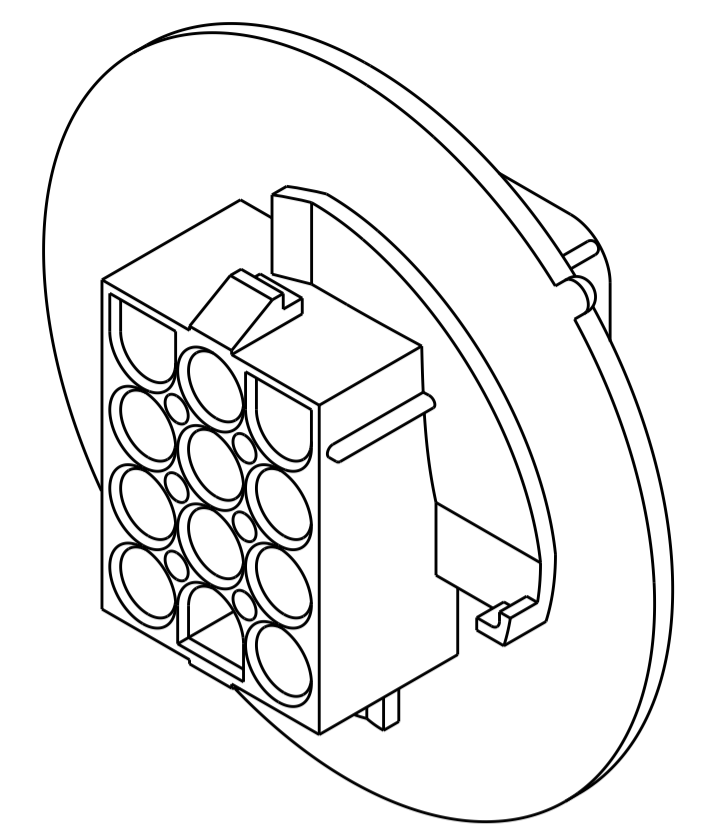
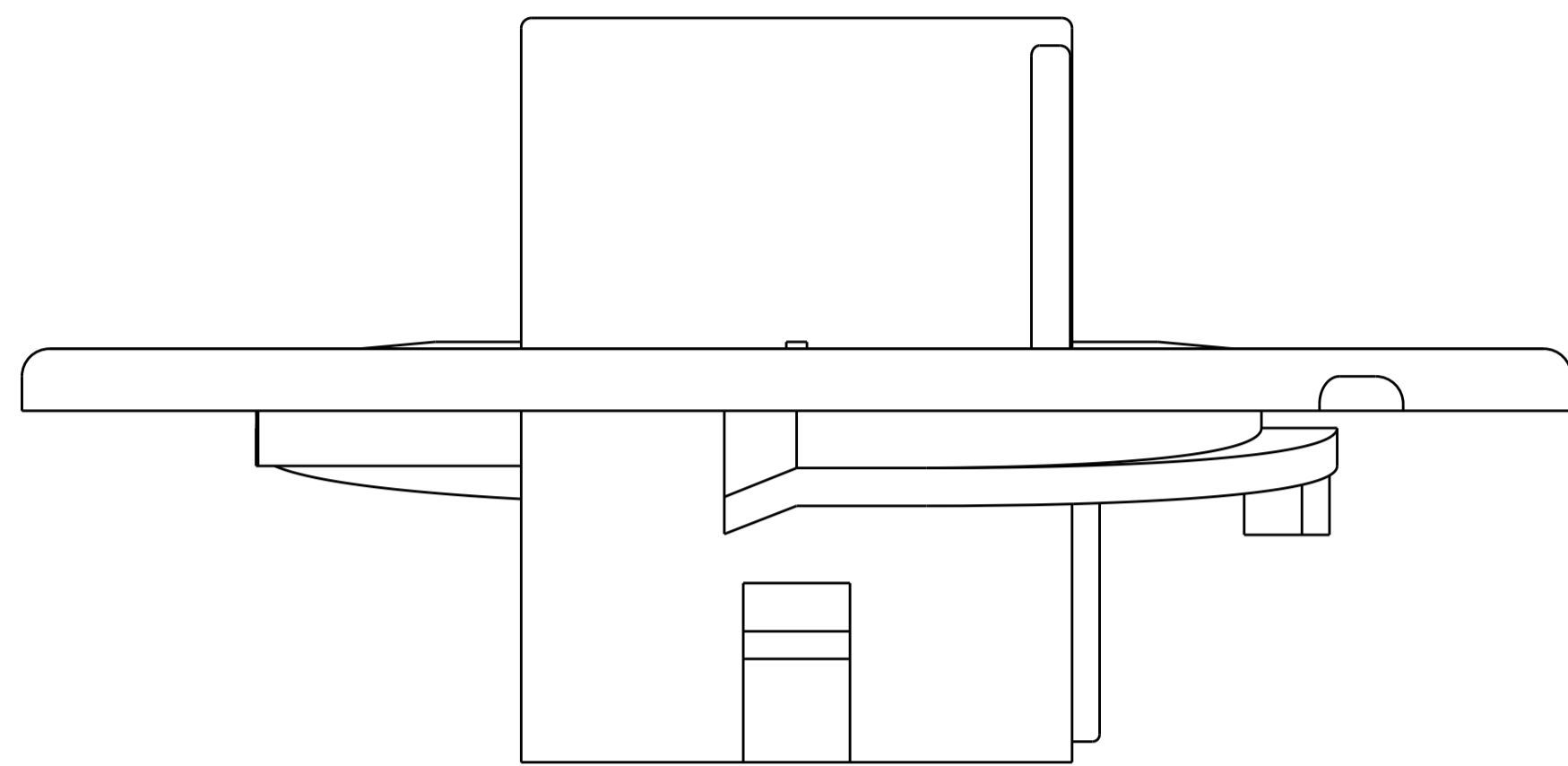
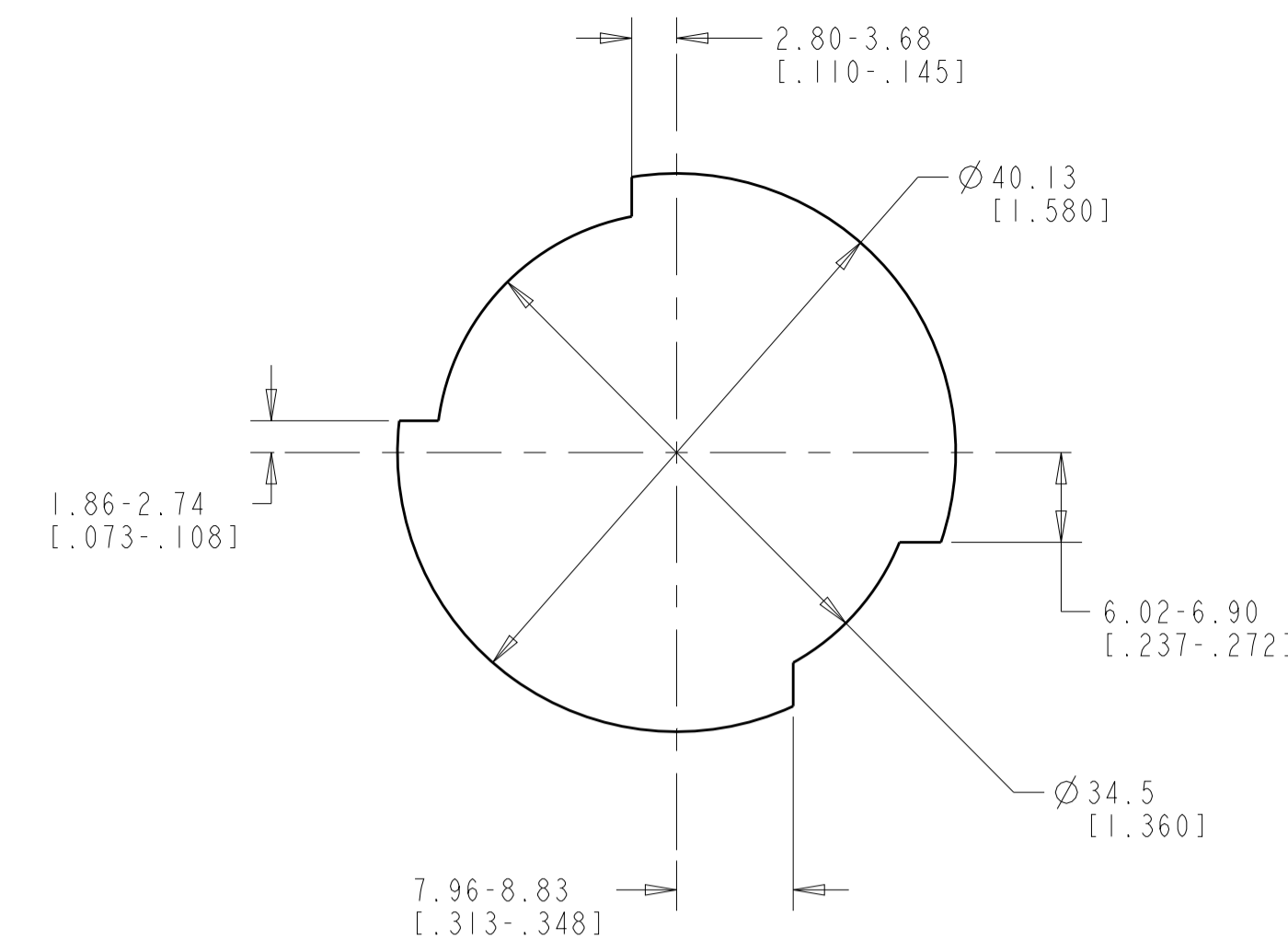


REVISIONS				
P.	LTN.	DESCRIPTION	DATE	APVD.
H		REVISED PER ECR-17-015775	03NOV2017	BDA KR

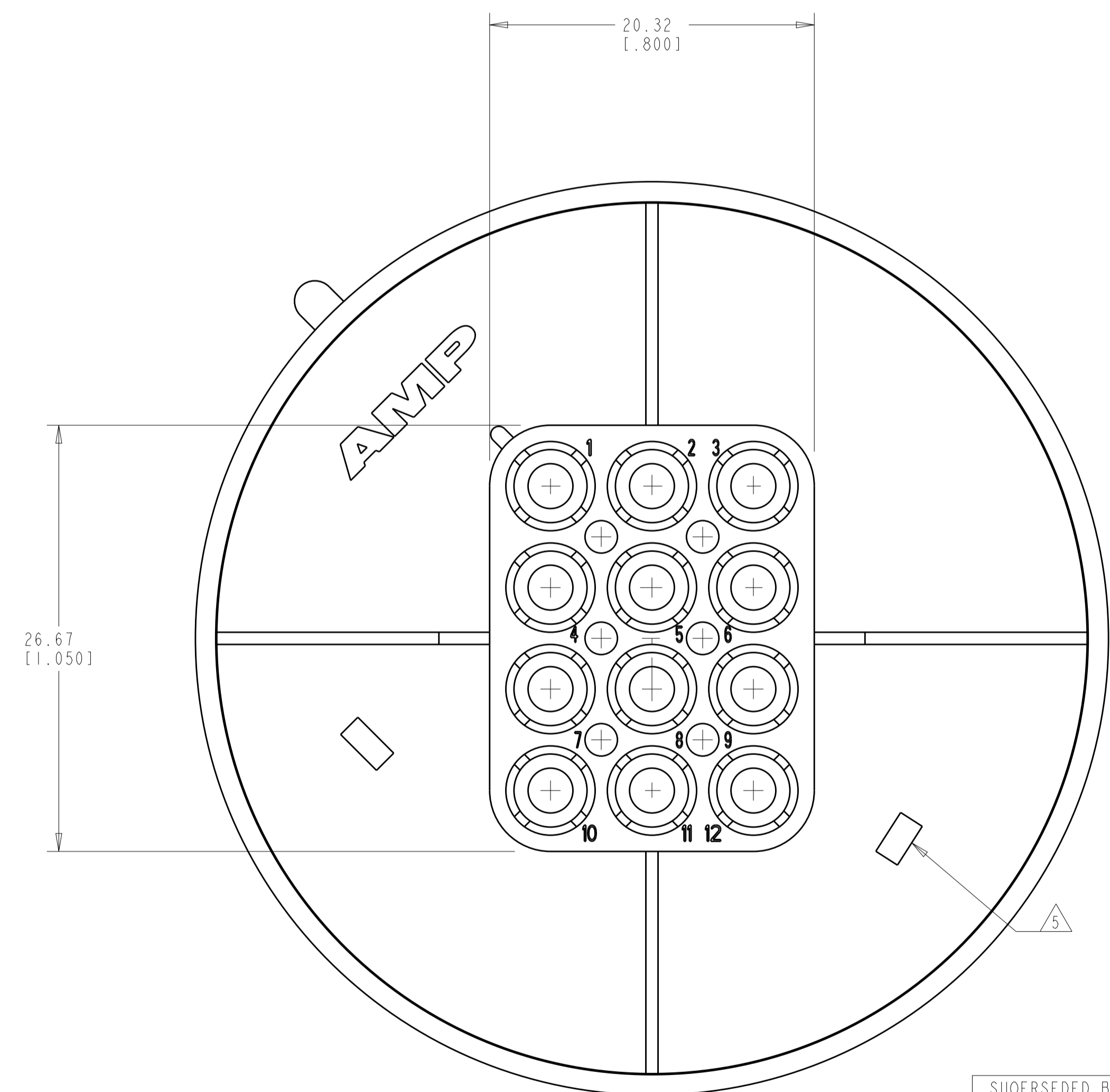
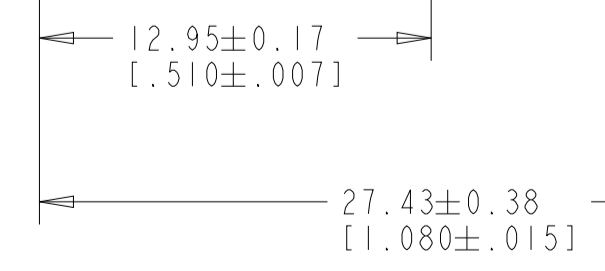
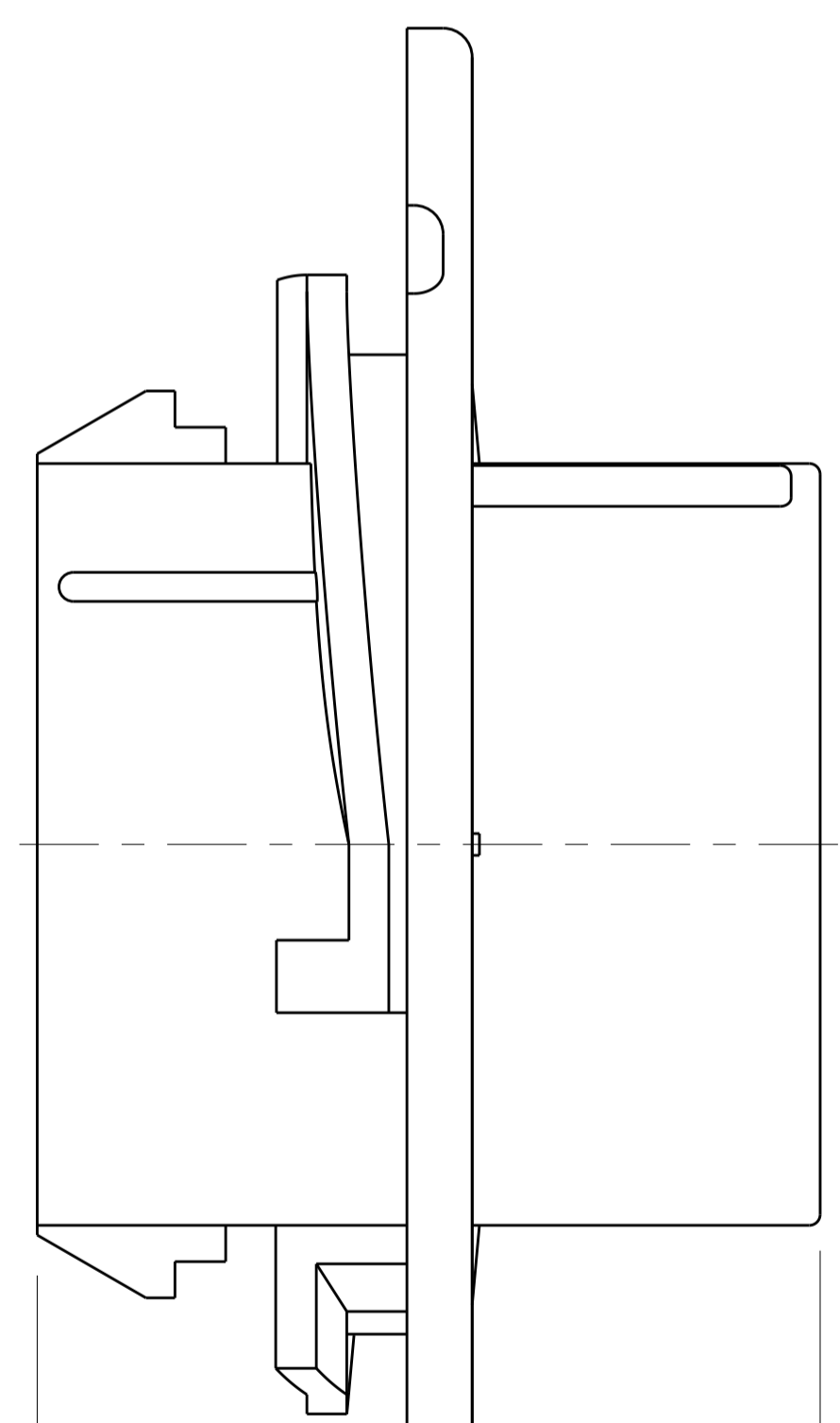
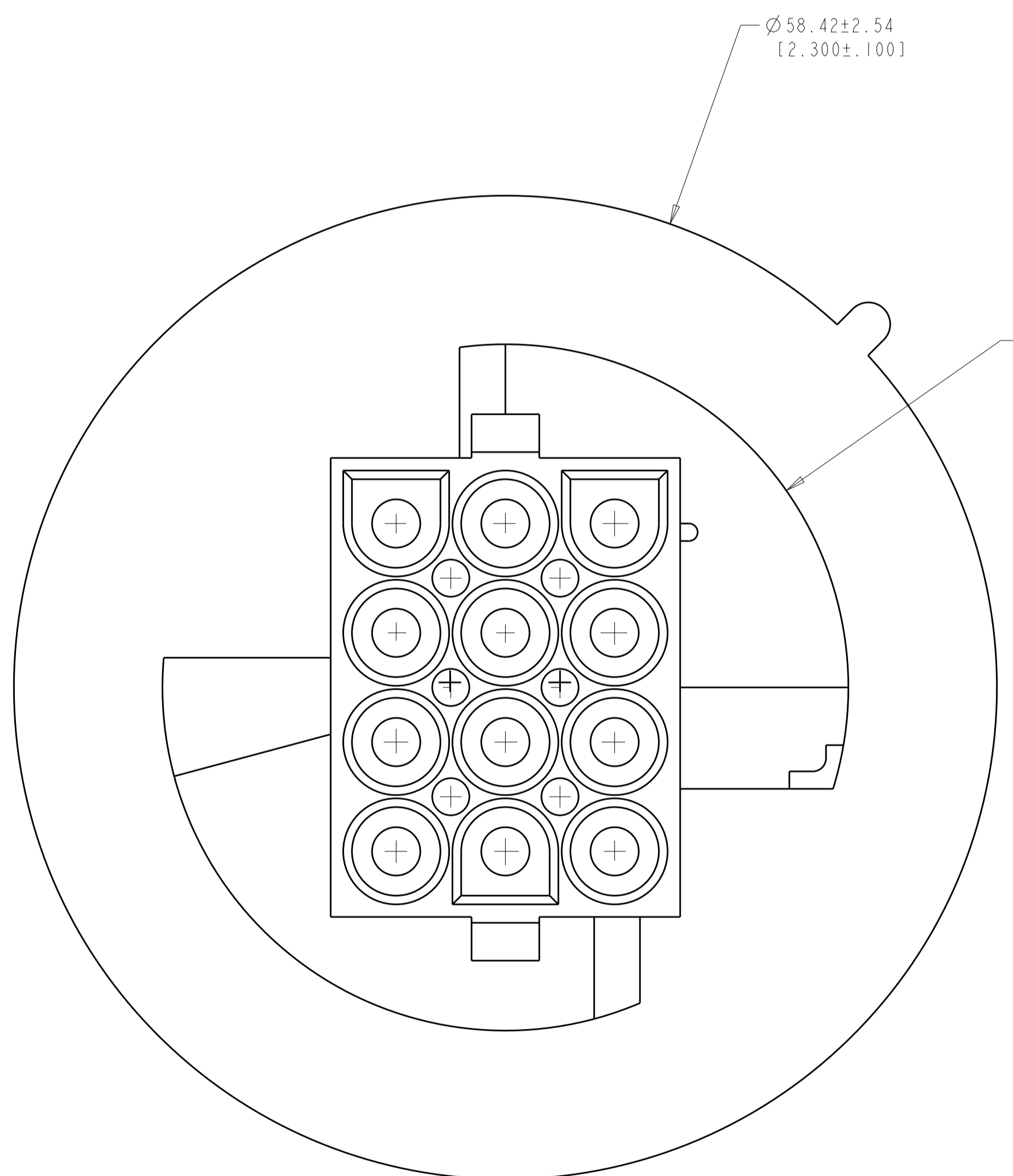


3-DIMENSIONAL MODEL
SCALE 2:1



RECOMMENDED CUT OUT
SCALE 2:1

- MATES WITH APPROPRIATE UNIVERSAL MATE-N-LOK™ PLUG.
 - RECOMMENDED PANEL THICKNESS 0.76 - 2.29 [.030 - .090].
 - PANEL MUST BE PUNCHED SO THAT THE HOUSING ENTERS THE PANEL IN THE SAME DIRECTION AS THE PUNCH.
 - DIMENSIONS SHOWN REPRESENT PRODUCT IN DRY, AS MOLDED CONDITION ADDITIONAL 2% GROWTH DUE TO SUBSEQUENT MOISTURE ABSORPTION MAY OCCUR AND SHOULD BE ACCOUNTED FOR.
- 5 UL AND CSA LOGOS LOCATED APPROXIMATELY AS SHOWN



BLACK	1-794762-9
GRAY	1-794762-8
BLUE	1-794762-6
GREEN	1-794762-5
YELLOW	1-794762-4
ORANGE	1-794762-3
RED	1-794762-2
BROWN	1-794762-1
RED	794762-3
NATURAL	794762-1
COLOR	PART NUMBER

SUOERSEDED BY 794762-3

THIS DRAWING IS A CONTROLLED DOCUMENT. DWN: K. WHITAKER 20-JUNE-2000
 CHK: K. COBLE 20-JUNE-2000
 APVD: K. COBLE 20-JUNE-2000

TE Connectivity

NAME: CAP. 12 CIRCUIT, UNIVERSAL MATE-N-LOK(TM), SPECIAL

SIZE: A1 CAGE CODE: 00779 DRAWING NO: 794762

SCALE: 4:1 SHEET: 1 OF 1 REV: H

MATERIAL: NYLON, UL 94V-0, WHITE

FINISH: -

WEIGHT: -

CUSTOMER DRAWING

X-ON Electronics

Largest Supplier of Electrical and Electronic Components

Click to view similar products for [Pin & Socket Connectors](#) category:

Click to view products by [TE Connectivity](#) manufacturer:

Other Similar products are found below :

[6450822-1](#) [770392-1](#) [794042-1](#) [796885-1](#) [8-794535-1](#) [PLR3455ACS-222](#) [R929991004](#) [R929993003](#) [1403611-1](#) [1-480349-5](#) [152302-5](#)
[153211-2](#) [1586092-1](#) [1586129-1](#) [1586681-4](#) [1586700-1](#) [1586368-1](#) [1586380-1](#) [1586616-1](#) [1586680-5](#) [16-06-0038](#) [164164-5](#) [1-6609930-1](#)
[172296-1](#) [19-09-2035](#) [200503-1](#) [200788-2](#) [2029090-4](#) [2029095-4](#) [925061-7](#) [293734-4](#) [293737-2](#) [1-765362-4](#) [1871534-1](#) [200833-4](#)
[2008625-2](#) [2029027-2](#) [2029096-4](#) [R929991000](#) [R929991002](#) [R929993000](#) [319-10-101-00-005000](#) [319-10-102-00-001000](#) [319-10-104-00-001000](#) [319-10-105-00-001000](#) [319-10-108-00-001000](#) [319-10-112-00-006000](#) [39-01-8019](#) [319-10-101-00-001000](#) [319-10-102-00-005000](#)