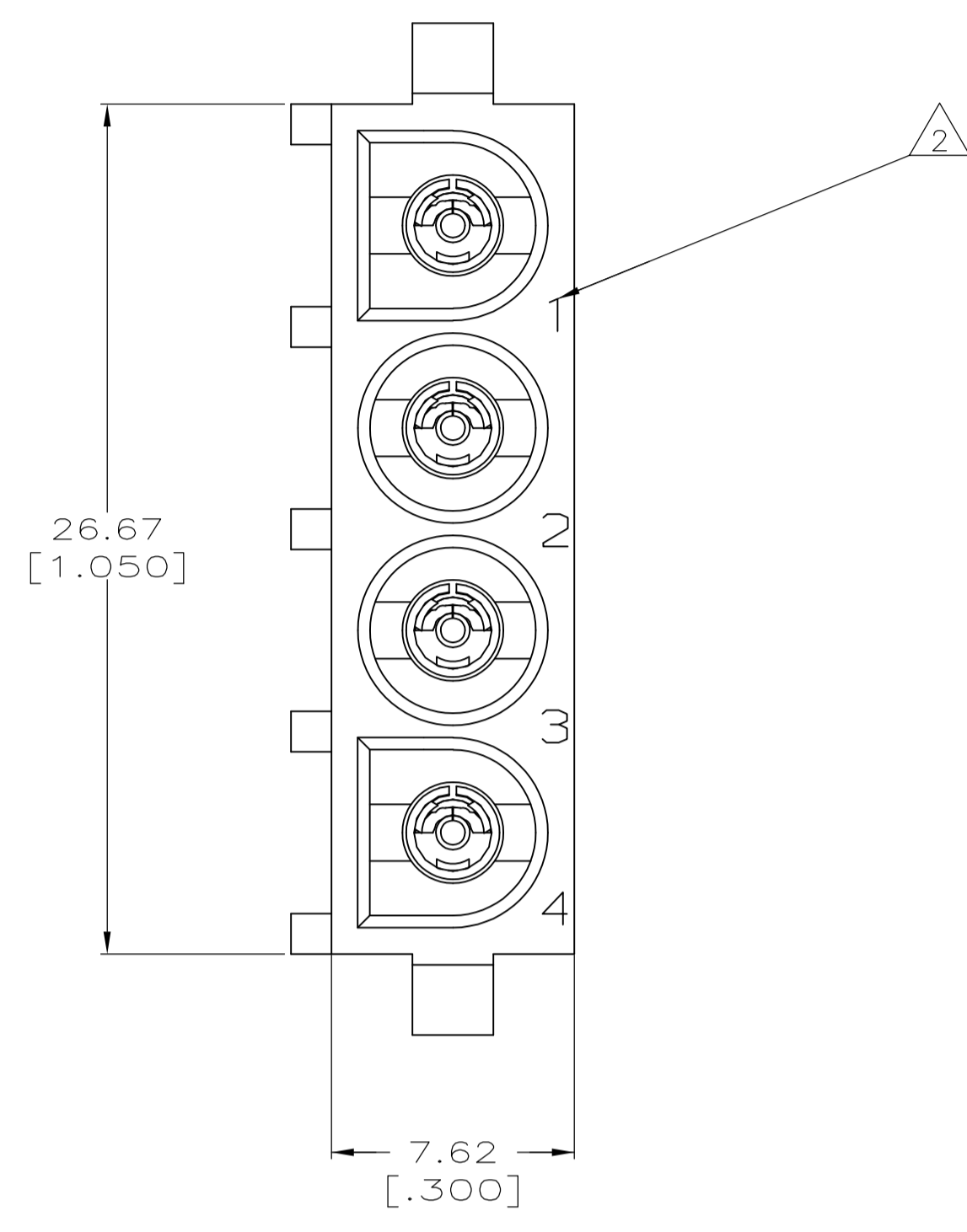
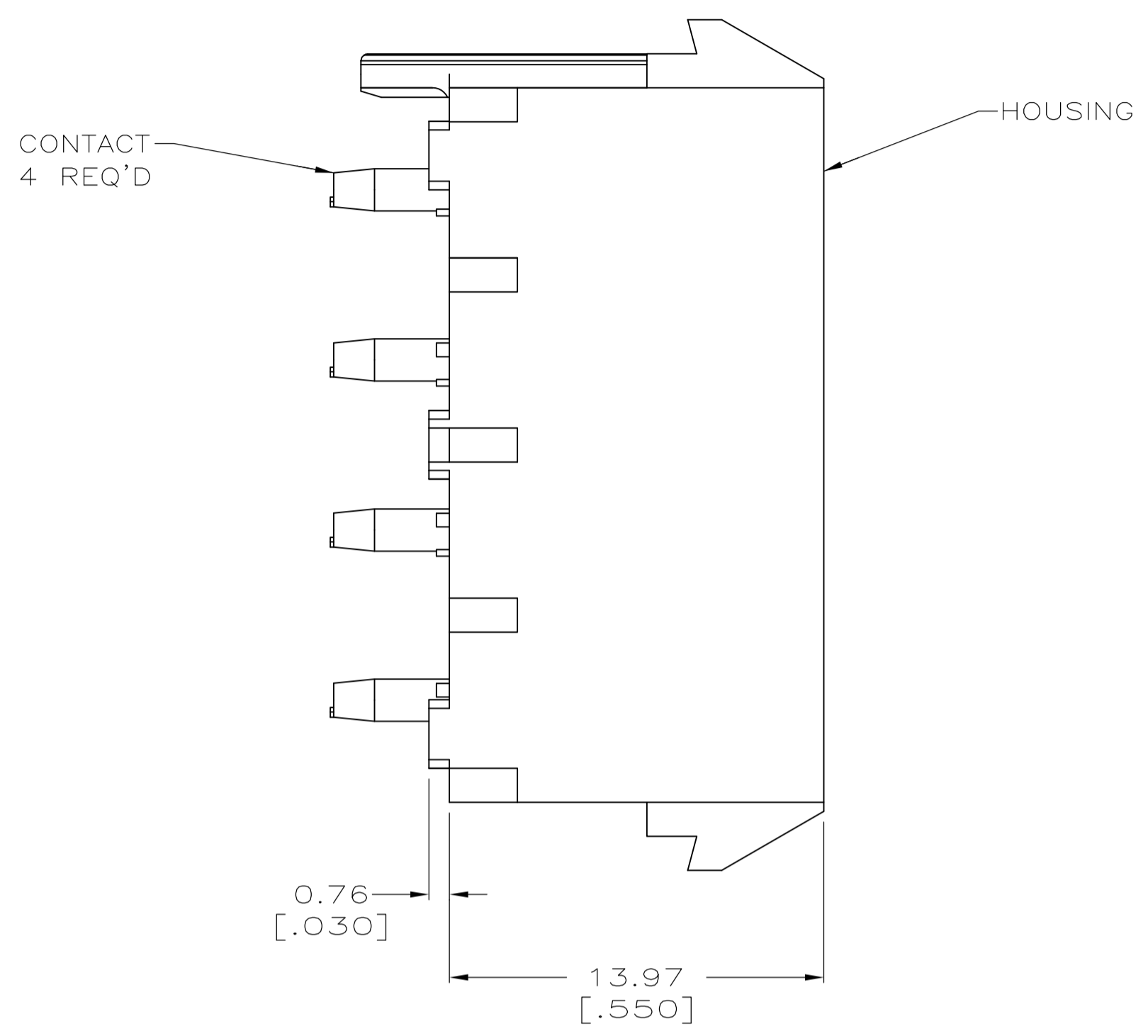
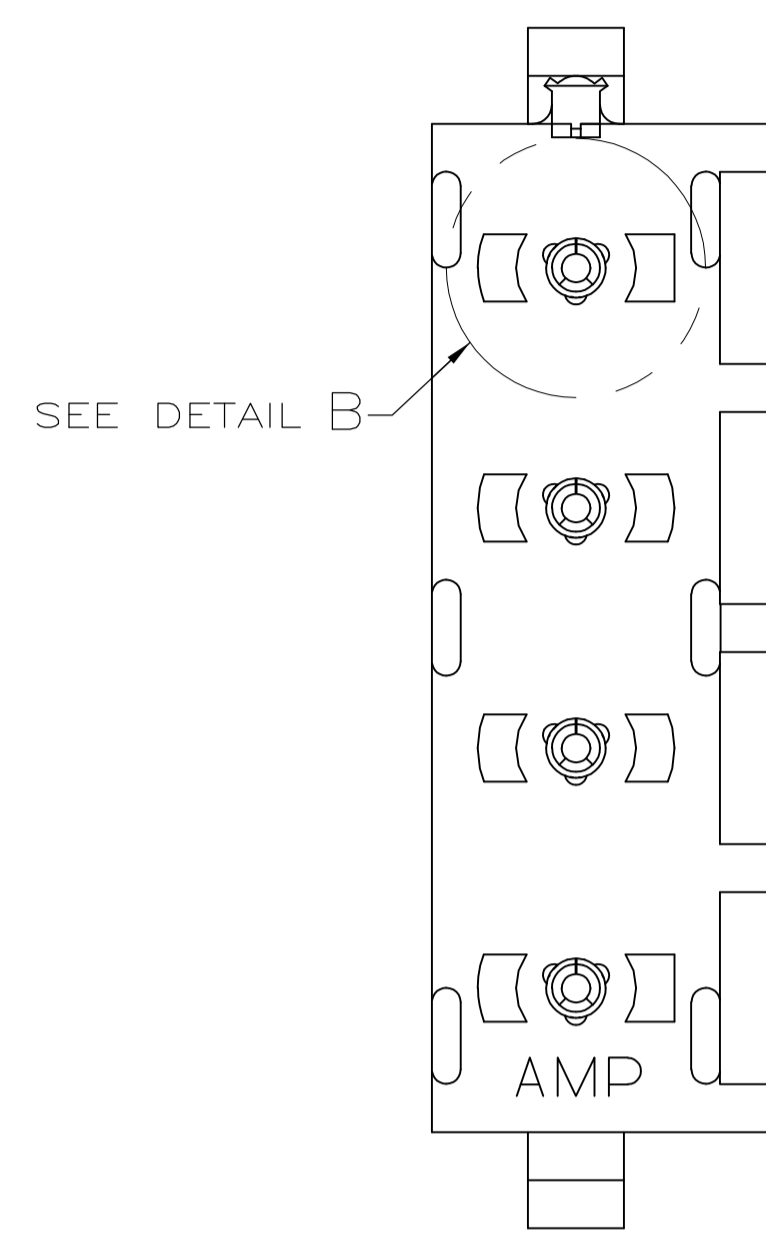
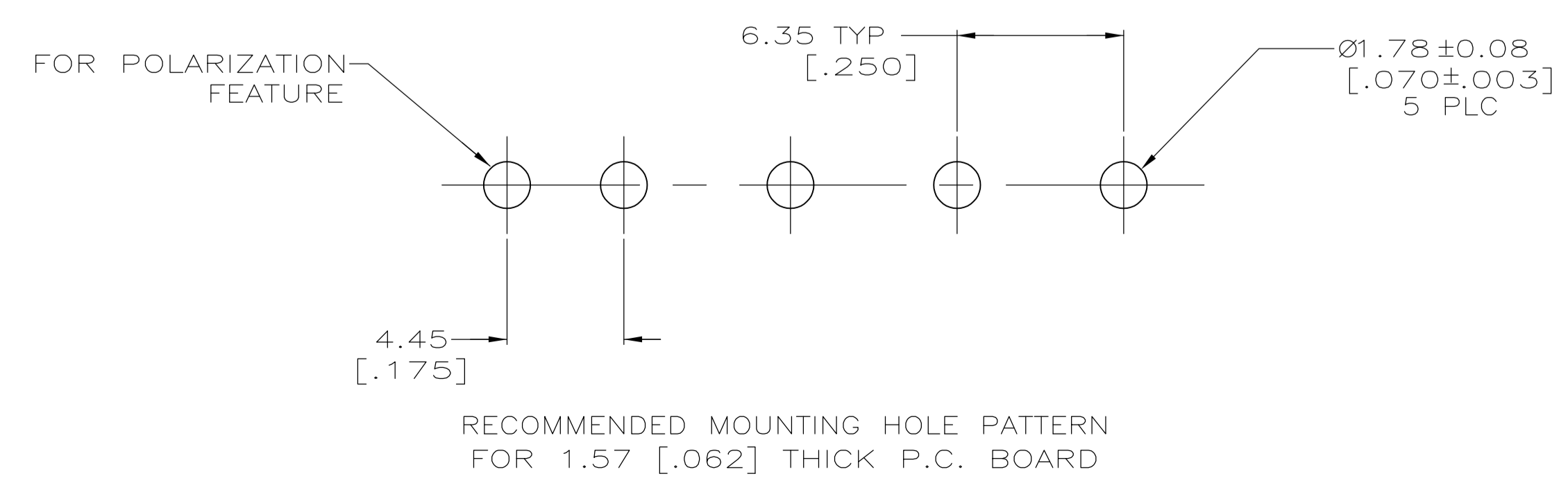
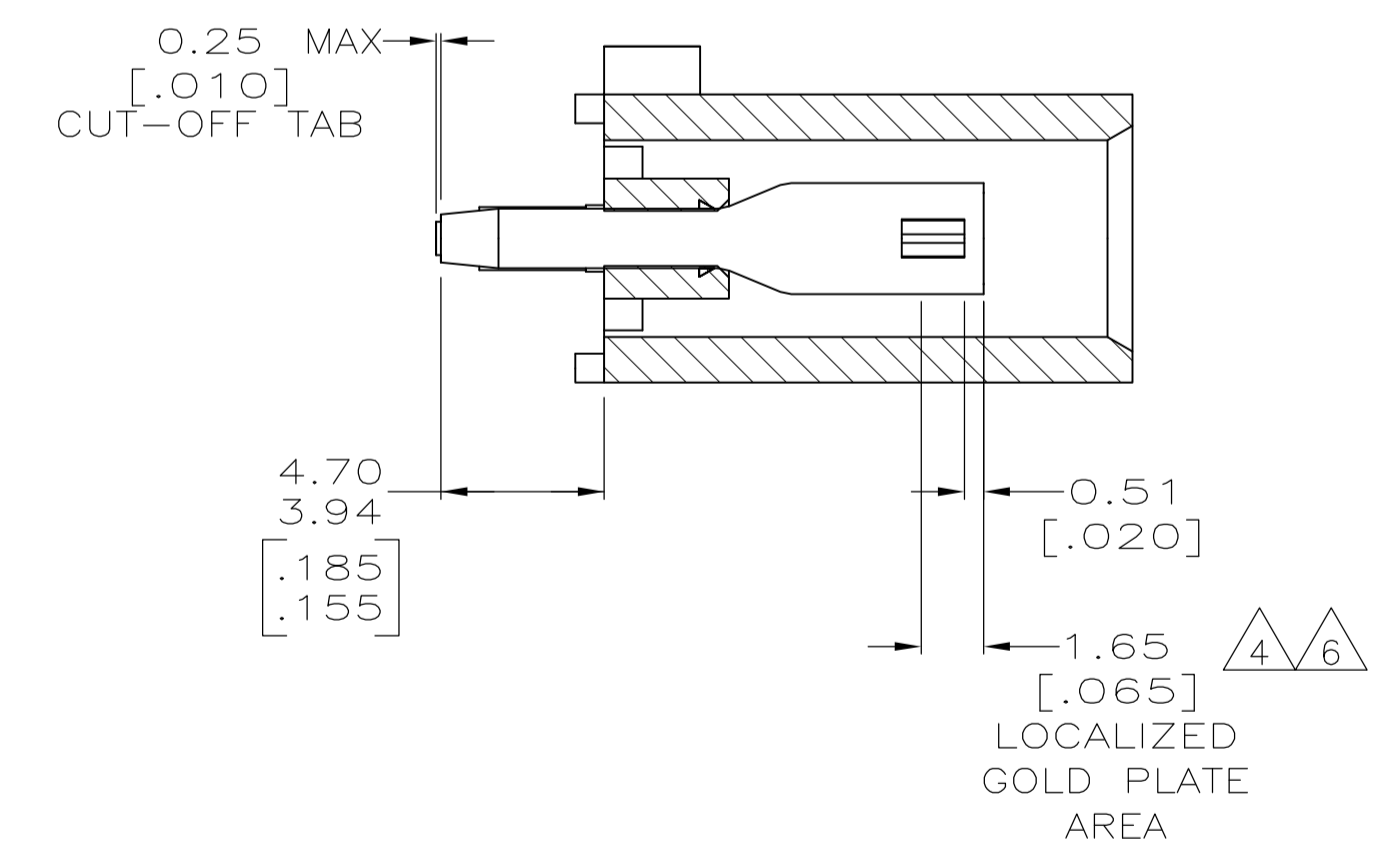
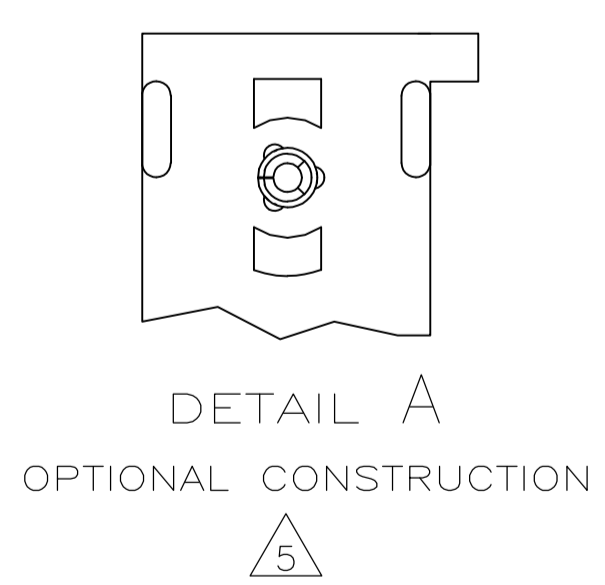
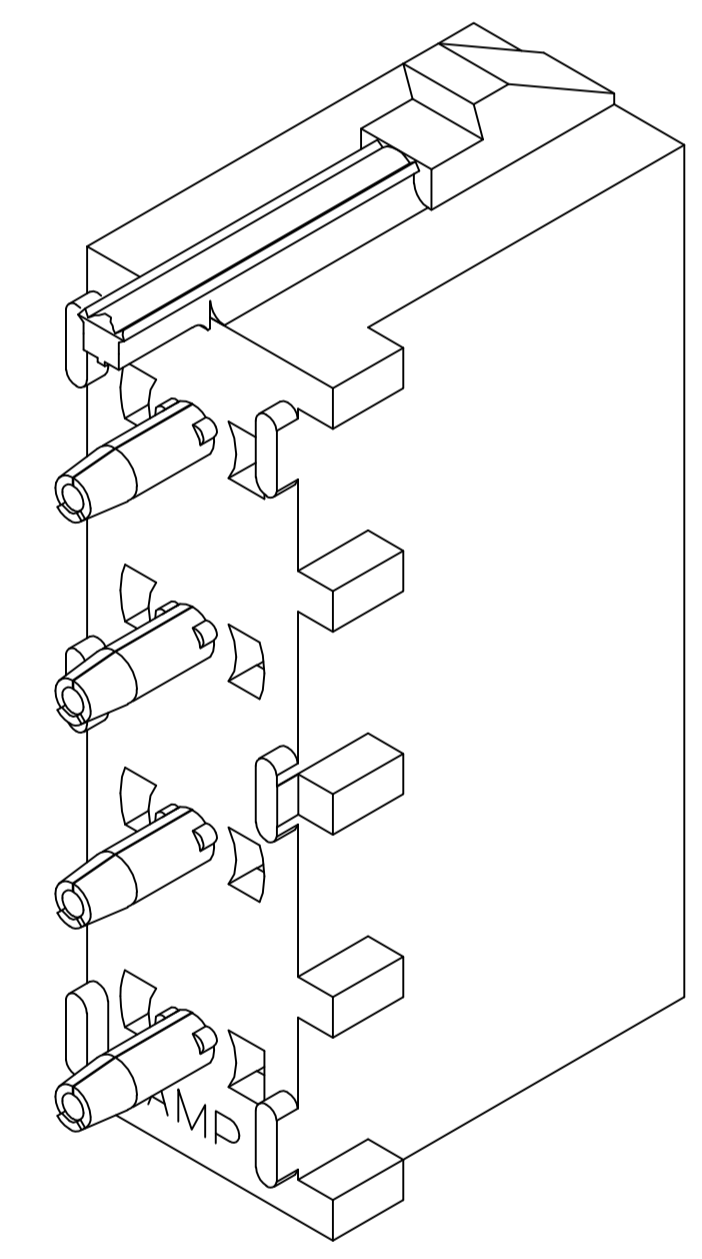


| LOC | | DIST | | REVISIONS | | | |
|-----|-----|---------------------------|---------|-----------|------|--|--|
| P | LTR | DESCRIPTION | DATE | DWN | APVD | | |
| B2 | | REVISED PER ECR-12-011660 | 06FEB13 | KH | TM | | |



- 1 PARTS COMPLY TO AMP SOLDERABILITY SPECIFICATION 109-11-3.
- 2 CIRCUIT IDENTIFICATION CHARACTERS ARE ADJACENT TO THE INDICATED CAVITIES, BUT LOCATION AND ORIENTATION MAY DIFFER FROM PRINT.
- 3 DIMENSIONS IN BRACKETS ARE IN INCHES.
- 4 CONTACT IS STAMPED FROM PRE-PLATED STOCK WHICH IS PLATED OVERALL WITH 0.00127 - 0.00178 [.000050 - .000070] NICKEL, THEN STRIPED WITH 0.00076 [.000030] GOLD IN CONTACT AREA INDICATED AND MATTE TIN LEAD ON SOLDER TAIL END.
- 5 DRAIN HOLES LOCATED AS SHOWN. OPTIONAL CONSTRUCTION- ALL DRAIN HOLES LOCATED 90° AS SHOWN IN DETAIL A.
- 6 CONTACT IS STAMPED FROM PRE-PLATED STOCK WHICH IS PLATED OVERALL WITH 0.00127 - 0.00178 [.000050 - .000070] NICKEL, THEN STRIPED WITH 0.00076 [.000030] GOLD IN CONTACT AREA INDICATED AND MATTE TIN ON SOLDER TAIL END.
- 7 SUPERSEDED BY 794783-3



| | | |
|-----------------------------|-----------------------|-------------|
| PHOSPHOR BRONZE, GOLD | NYLON, UL94V-0, BLACK | 794783-3 |
| PHOSPHOR BRONZE, GOLD | NYLON, UL94V-0, BLACK | 794783-2 |
| PHOSPHOR BRONZE, PRE-TIN | NYLON, UL94V-0, BLACK | 794783-1 |
| CONTACT MATERIAL AND FINISH | HOUSING MATERIAL | PART NUMBER |

| | | | |
|---|---------------------|-----------------------------------|--|
| THIS DRAWING IS A CONTROLLED DOCUMENT. | | DIN L. McEACHIN 19-JUN-2000 | TE Connectivity |
| DIMENSIONS: mm [INCHES] | | CHK K. COBLE 19-JUN-2000 | |
| TOLERANCES UNLESS OTHERWISE SPECIFIED: | | APVD K. COBLE 19-JUN-2000 | NAME SOCKET HEADER ASSEMBLY, POLARIZED, 4 CIRCUIT UNIVERSAL MATE-N-LOK™ |
| 0 PLC ± - 1 PLC ± - 2 PLC ± 0.13 [.005] 3 PLC ± - 4 PLC ± - ANGLES ± 0°30' | | PRODUCT SPEC | APPLICATION SPEC |
| MATERIAL SEE TABLE | FINISH SEE TABLE | WEIGHT - | SIZE A1 |
| CUSTOMER DRAWING | | SCALE 5:1 | SHEET 1 OF 1 |
| | | DRAWING NO. 794783 | RESTRICTED TO |
| | | REV B2 | |

X-ON Electronics

Largest Supplier of Electrical and Electronic Components

Click to view similar products for [Headers & Wire Housings](#) category:

Click to view products by [TE Connectivity](#) manufacturer:

Other Similar products are found below :

[892-18-020-10-001101](#) [58102-G61-06LF](#) [582553-1](#) [0009485154](#) [009176003701906](#) [0050291907](#) [LY20-4P-DT1-P1E-BR](#) [02.125.8002.8](#)
[609-3404](#) [61062-3](#) [61082-181009](#) [622-3653LF](#) [63453-116](#) [636-1030](#) [636-1427](#) [636-3427](#) [636-4007](#) [641938-9](#) [641991-4](#) [644827-2](#) [65817-](#)
[010LF](#) [65817-015LF](#) [65863-015LF](#) [66207-023LF](#) [67095-007LF](#) [67601157](#) [68645-018](#) [68648-049](#) [70.362.1628.0](#) [70-4210](#) [70-4226B](#) [70-](#)
[4853B](#) [707-5020](#) [707-5028](#) [71.350.2428.0](#) [71918-208LF](#) [71961-016LF](#) [733-134](#) [733-162](#) [754199-000](#) [760-3052](#) [787-8014-00](#) [79531-3000](#)
[FCN-360C032-B](#) [FCN-367T-T012/H](#) [FCN-723D010/2](#) [80.063.4001.1](#) [800-90-001-10-001000](#) [800-90-010-10-002000](#) [801-43-002-10-013000](#)