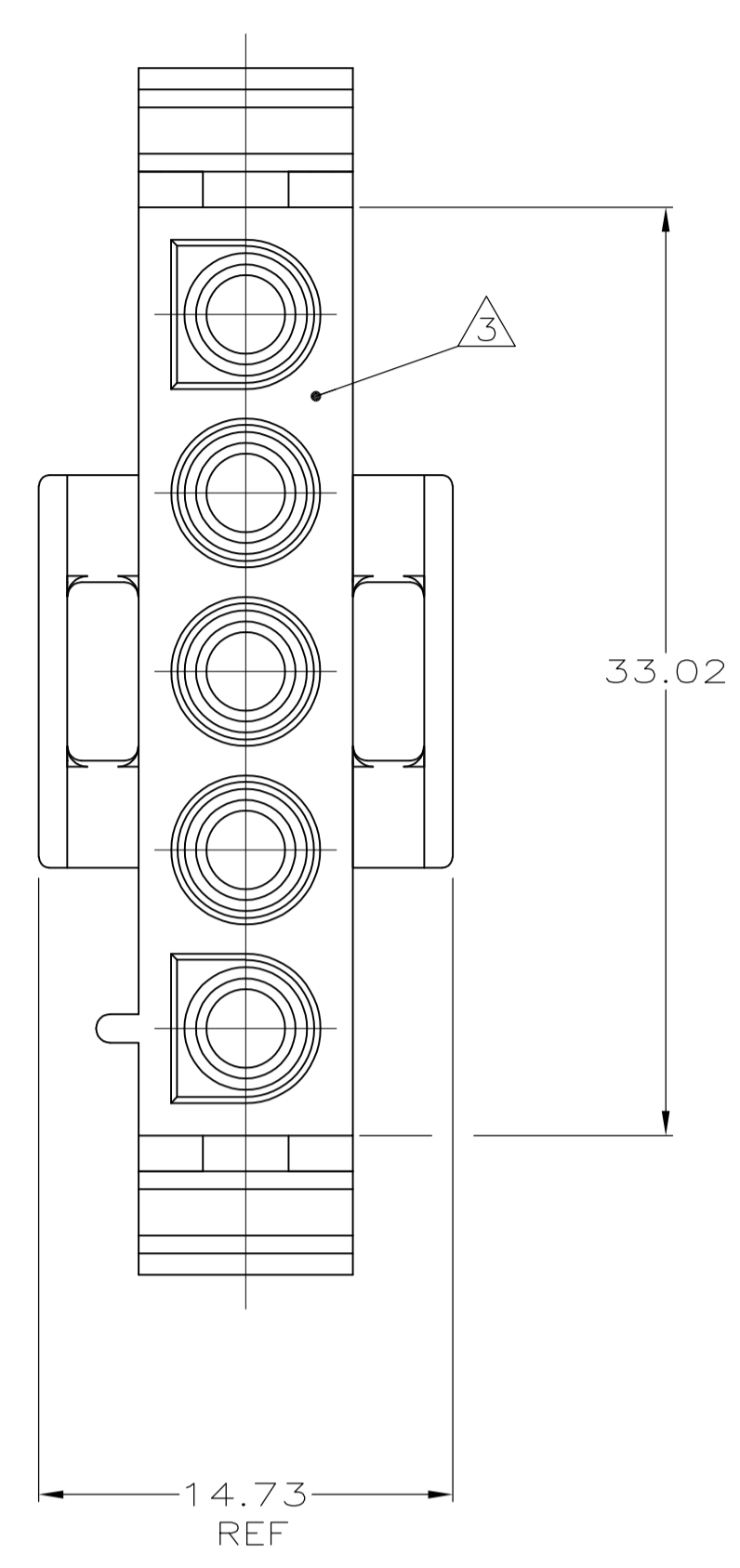
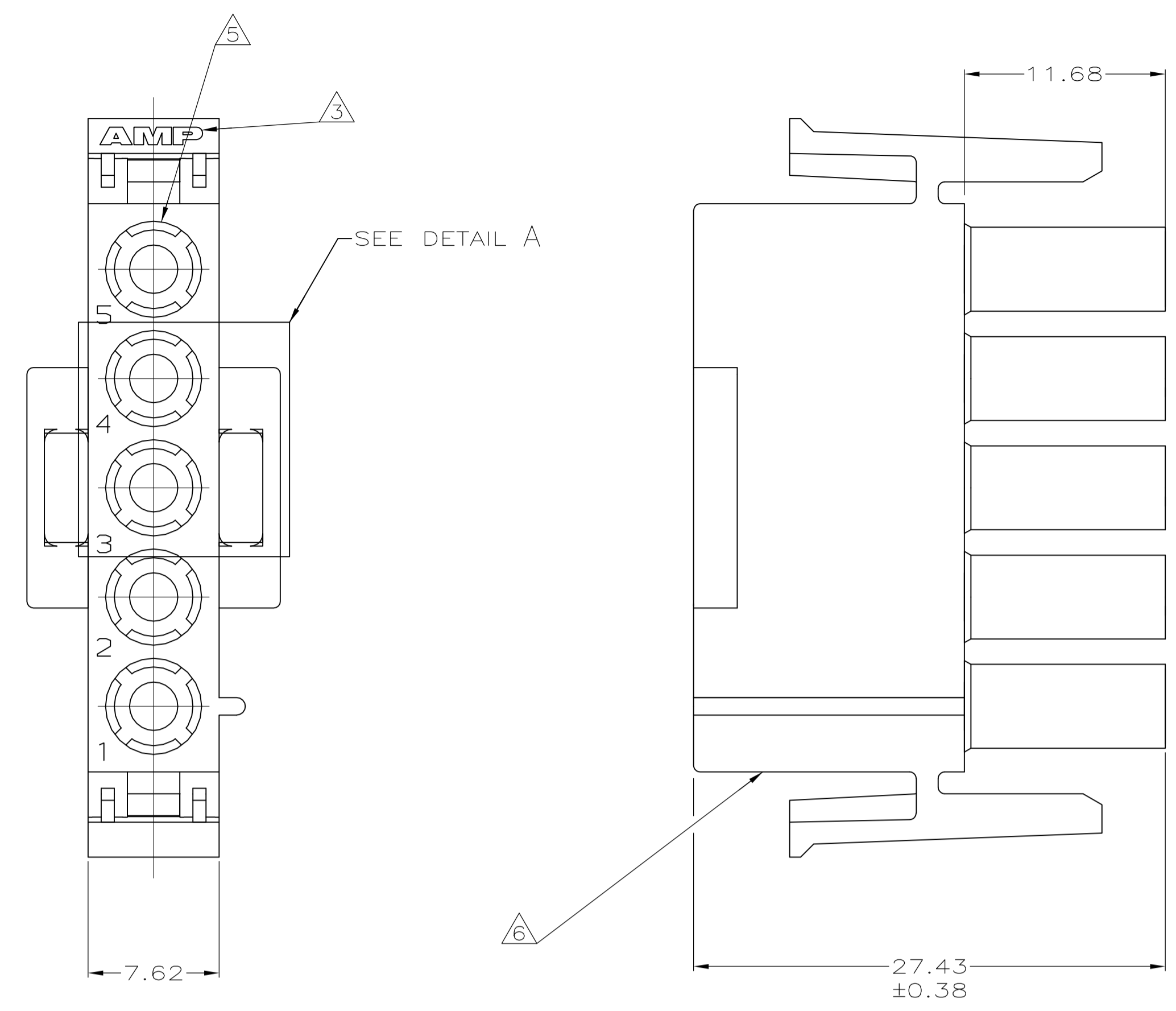
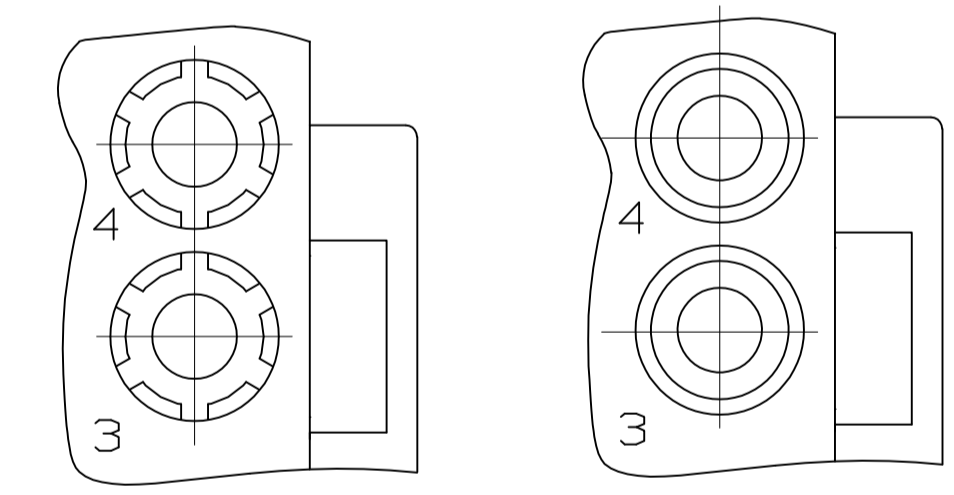
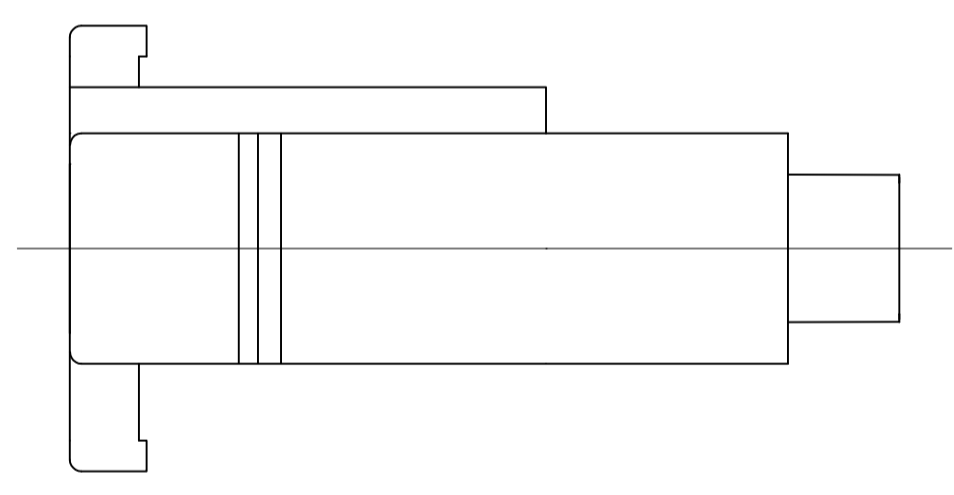


| REVISIONS |     |                           |      |       |
|-----------|-----|---------------------------|------|-------|
| P         | LTR | DESCRIPTION               | DATE | OWN   |
| A         |     | REVISED PER ECO-17-011927 | -    | RS KR |



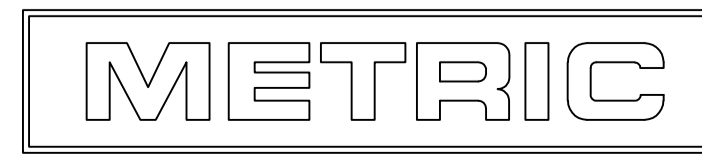
- MATES WITH APPROPRIATE UNIVERSAL MATE-N-LOK™ CAP OR HEADER.
- SMALL NICKS ARE PERMITTED ON THE CIRCUIT TOWERS WHICH COULD INCREASE THE INITIAL HOUSING MATING FORCE BY UP TO 4.4 NEWTONS [1.0 LBS]. NO INDIVIDUAL NICKED TOWER SHALL INCREASE THIS FORCE BY OVER 2.2 NEWTONS [.5 LBS].
- OPTIONAL: AMP LOGO MAY BE LOCATED ON THIS SURFACE.
- DIMENSIONS SHOWN REPRESENT PRODUCT IN DRY, AS MOLDED CONDITION ADDITIONAL 2% GROWTH DUE TO SUBSEQUENT MOISTURE ABSORPTION MAY OCCUR AND SHOULD BE ACCOUNTED FOR.
- FOUR RIBS EQUALLY SPACED, NO SPECIFIC ORIENTATION. NO RIBS OR SIX RIBS EQUALLY SPACED, NO SPECIFIC ORIENTATION, OPTIONAL.
- UNDERWRITERS RECOGNIZED COMPONENT LOGO AND CSA CERTIFICATION LOGO TO BE LOCATED ONCE EACH ON SIDE OF HOUSING.



DETAIL A  
OPTIONAL CONSTRUCTIONS

| MM    | IN    |
|-------|-------|
| 33.02 | 1.300 |
| 27.43 | 1.080 |
| 14.73 | .580  |
| 11.68 | .460  |
| 7.62  | .300  |
| 0.38  | .015  |
| 0.13  | .005  |
| MM    | IN    |

CONVERSION TABLE



794913-1  
PART NUMBER

|  |  |                                   |   |  |
|--|--|-----------------------------------|---|--|
| THIS DRAWING IS A CONTROLLED DOCUMENT. |  | DIN<br>K. WHITAKER<br>20-MAR-2001 |   |  |
| DIMENSIONS: mm                         |  | CHK<br>S. RIDGILL<br>20-MAR-2001  |   |  |
| TOLERANCES UNLESS OTHERWISE SPECIFIED: |  | APVD<br>S. RIDGILL<br>20-MAR-2001 | NAME<br>PLUG,<br>5 CIRCUIT,<br>UNIVERSAL MATE-N-LOK |  |
| 0 PLC ± -                              |  | PRODUCT SPEC                      | SIZE<br>A1  |  |
| 1 PLC ± -                              |  | APPLICATION SPEC                  | CAGE CODE<br>794913                                 |  |
| 2 PLC ± 0.13                           |  | WEIGHT<br>0.000000                | DRAWING NO<br>794913                                |  |
| 3 PLC ± -                              |  | MATERIAL<br>NYLON, UL 94V-2       | RESTRICTED TO                                       |  |
| 4 PLC ± -                              |  | FINISH<br>-                       | CUSTOMER DRAWING                                    |  |
| ANGLES<br>± -                          |  | SCALE<br>4:1                      |   |  |
|  |  | SHEET<br>1 OF 1                   |   |  |
|  |  | REV<br>A                          |   |  |

## X-ON Electronics

Largest Supplier of Electrical and Electronic Components

*Click to view similar products for [Pin & Socket Connectors](#) category:*

*Click to view products by [TE Connectivity](#) manufacturer:*

Other Similar products are found below :

[6450822-1](#) [770392-1](#) [794042-1](#) [796885-1](#) [8-794535-1](#) [881459-2](#) [R929993003](#) [1-350779-3](#) [1403611-1](#) [1-480349-5](#) [1586092-1](#) [1586129-1](#)  
[1586487-1](#) [1586681-4](#) [1586700-1](#) [1586065-1](#) [1586077-1](#) [1586368-1](#) [1586380-1](#) [1586680-5](#) [1586681-2](#) [1604996-1](#) [16-06-0038](#) [164164-5](#) [1-](#)  
[6609930-1](#) [172296-1](#) [1-794714-6](#) [19-09-2035](#) [1969804-1](#) [200503-1](#) [200788-2](#) [201046-7](#) [202648-4](#) [2029076-2](#) [2029090-4](#) [2029095-4](#) [2-](#)  
[66102-6](#) [925061-7](#) [926681-1](#) [293734-4](#) [293737-2](#) [1-765362-4](#) [1-794606-3](#) [1871534-1](#) [1969795-1](#) [1969798-1](#) [1969800-1](#) [200833-4](#)  
[2008625-2](#) [2029027-2](#)