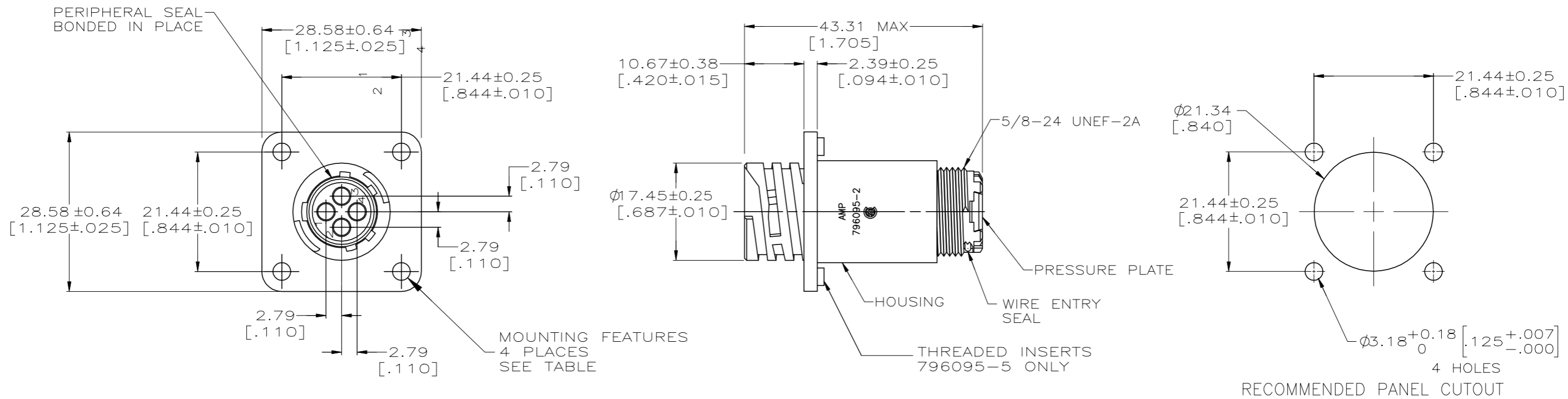


THIS DRAWING IS UNPUBLISHED. RELEASED FOR PUBLICATION
 © COPYRIGHT - TE Connectivity Ltd. ALL RIGHTS RESERVED.

REVISIONS					
P	LTR	DESCRIPTION	DATE	DWN	APVD
0		RELEASED PER NPR 5710, WAS 98-7970-13-2	25SEPT1998	-	-
A		REV PER EC 0G3B-0286-01	15JAN02	MHC	SH
B		REV PER EC0-19-014836	21OCT2019	RS	MZ



1. THIS PART WILL ACCEPT FOUR (4) MULTIMATE PIN CONTACTS.

- 2. HOUSING AND PRESSURE PLATE: NYLON, BLACK.
- PERIPHERAL SEAL: ELASTOMER, GRAY.
- WIRE ENTRY SEAL: ELASTOMER, RED-IRON OXIDE.
- THREADED INSERTS: BRASS

#4-40 THREADED INSERTS	796095-5
Ø3.18 (.125) HOLES	796095-2
MOUNTING FEATURES	PART NUMBER

THIS DRAWING IS A CONTROLLED DOCUMENT.		DWN C.DORWART 25 SEP 98	STE TE Connectivity
DIMENSIONS: mm [INCHES]		CHK R.WALTER 25 SEP 98	
TOLERANCES UNLESS OTHERWISE SPECIFIED:		APVD R.WALTER 25 SEP 98	NAME
0 PLC ± -	1 PLC ± -	PRODUCT SPEC	RECEPTACLE ASSEMBLY, 11-4, STANDARD SEX, SERIES I, SEALED, CIRCULAR PLASTIC CONNECTOR
2 PLC ± 0.13 [.005]	3 PLC ± -	APPLICATION SPEC	SIZE A2 CAGE CODE 00779 DRAWING NO C=796095 RESTRICTED TO
4 PLC ± -	ANGLES ± -	WEIGHT -	SCALE 2:1 SHEET 1 of 1 REV B
MATERIAL -	FINISH -	CUSTOMER DRAWING	

X-ON Electronics

Largest Supplier of Electrical and Electronic Components

Click to view similar products for [Standard Circular Connector](#) category:

Click to view products by [TE Connectivity](#) manufacturer:

Other Similar products are found below :

[5M2530B10P](#) [600259N006](#) [600273N007](#) [6134-336-13149](#) [6134-337-11149](#) [6134-337-2390](#) [6134-341-17149](#) [6280-4SG-516](#) [6280-7SG-3DC](#)
[6290](#) [6291A](#) [66200A-10](#) [680-SMG](#) [681-PMG](#) [CXS3102A14S2P](#) [CXS3102A181S](#) [7251-5SG-300](#) [7271-6SG-300](#) [7282-3PG-300-CH3](#) [75-](#)
[474618-01S](#) [75-474618-04P](#) [75-474618-04S](#) [799539-000](#) [MI8-SE](#) [805-005-07NF11-19PC](#) [805-005-07NF15-7PA](#) [8280-4PG-516](#) [8280-7PG-](#)
[519](#) [8282-5PG-519](#) [836783-1](#) [MP-4102-25P-C](#) [862256-1](#) [864019-2](#) [866857-1](#) [867865-1](#) [PT01SP-14-18P](#) [PT08P-14-5S](#) [PTSF06SE-14-12S](#)
[120-1833-000](#) [QCM019PC2DC012B](#) [1-2069279-1](#) [121583-0217](#) [121667-0020](#) [129591AU](#) [1000B BULK](#) [RD10A16-19-P6CS051/1](#)
[RD10A20-31-P8CS051/1](#) [RD16A14-12-S6CS051/2](#) [1301240290](#) [1301240347](#) [1301860202](#)