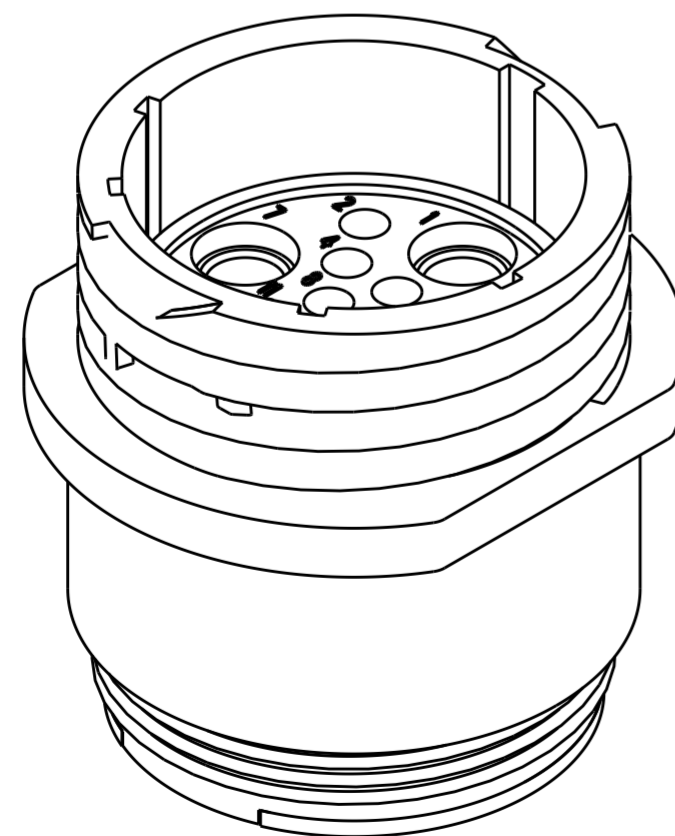
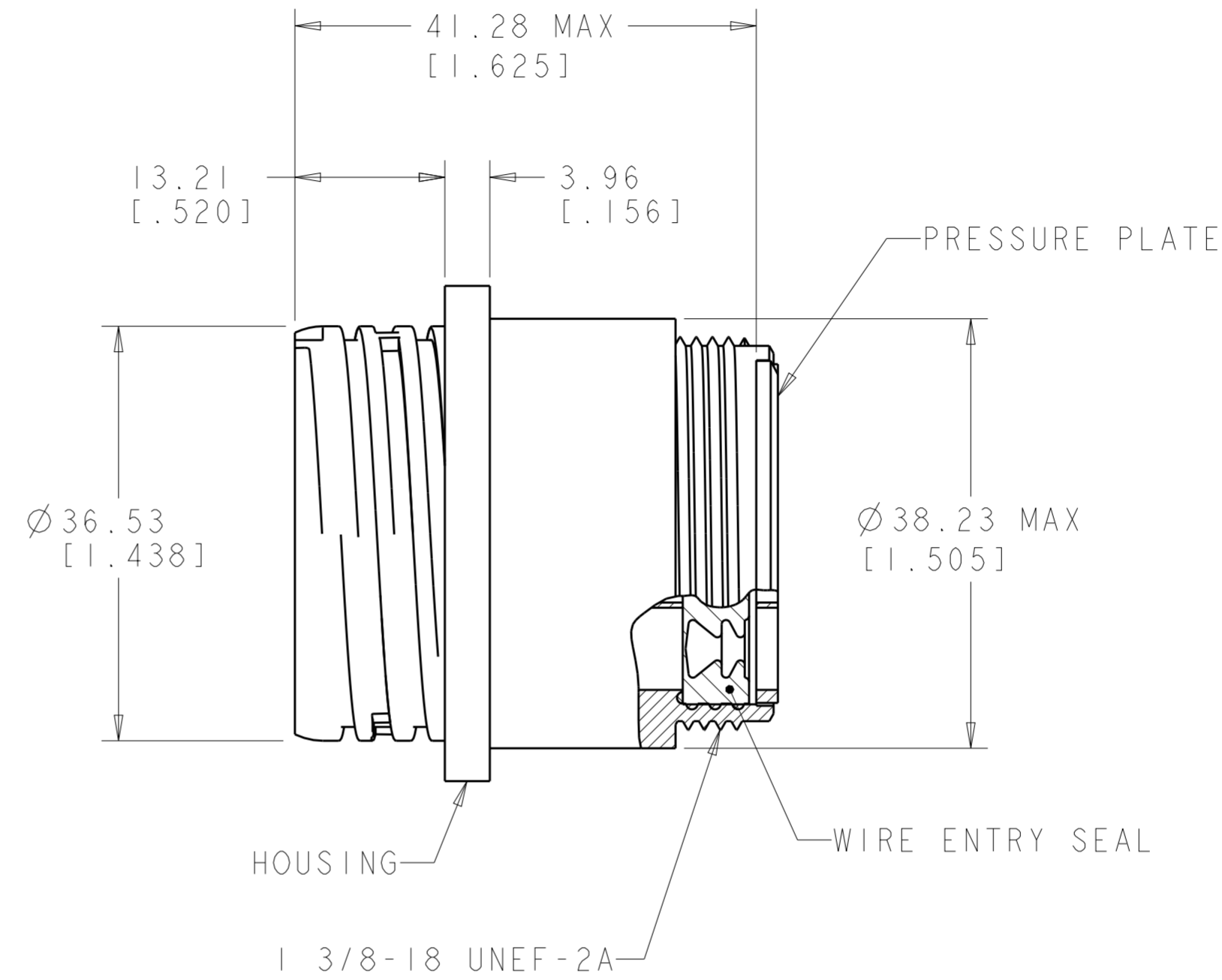
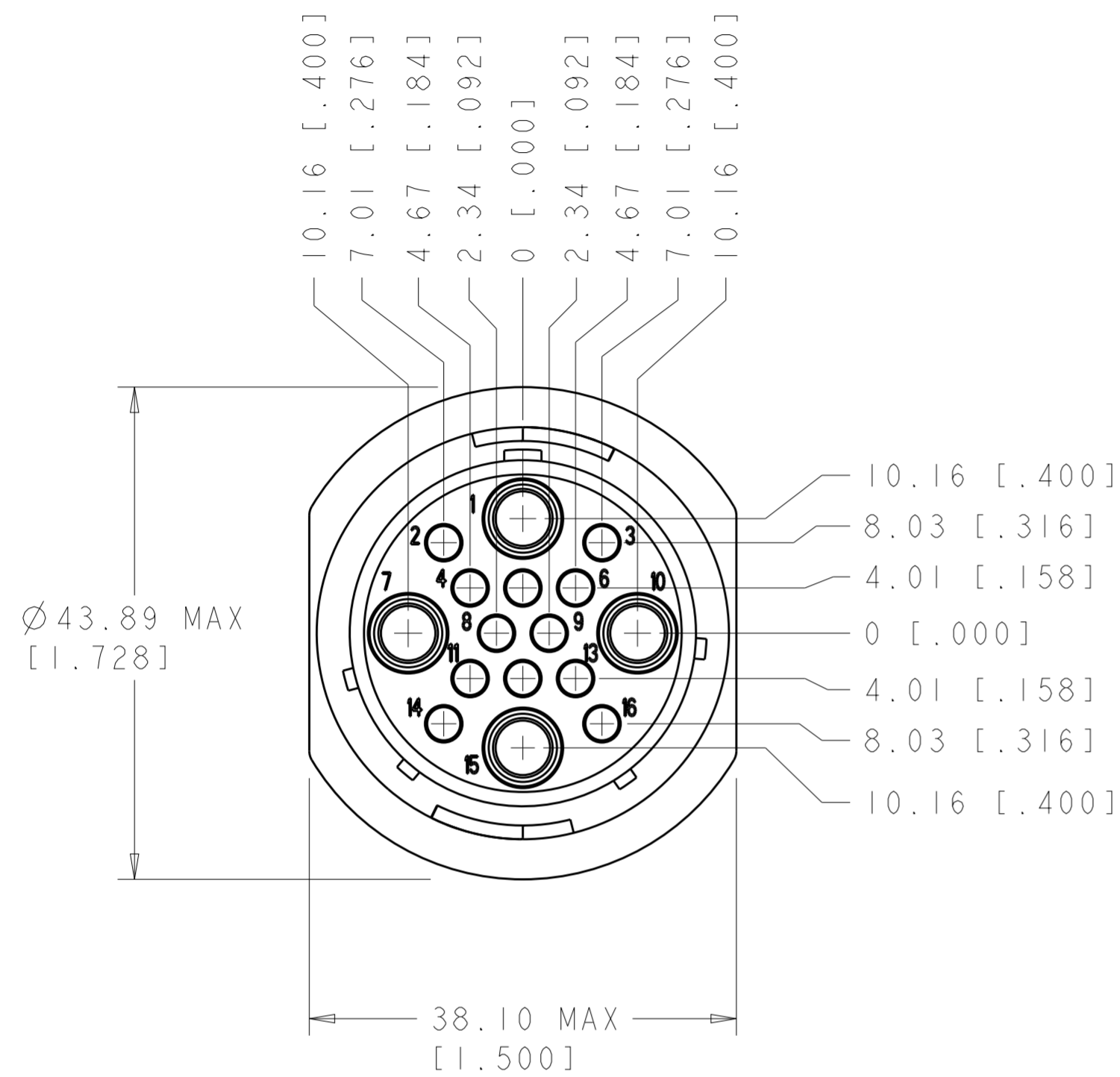


P	LTR	DESCRIPTION	DATE	DWN	APVD
0		RLSE NPR 5728, WAS 97-7970-1	09SEP99	SW	KD
A		REVISED PER ECO-19-011232	08AUG2019	RS	MZ



△ HOUSING & PRESSURE PLATE: NYLON, BLACK.
 WIRE ENTRY SEAL: ELASTOMER, RED-IRON OXIDE.
 PERIPHERAL SEAL: ELASTOMER, BLACK.
 2. WILL ACCEPT (12) MULTIMATE PINS AND (4) POWER MALE CONTACTS.

796207-1
 PART
 NUMBER

THIS DRAWING IS A CONTROLLED DOCUMENT.		DWN S. WELDON 09SEP99	TE Connectivity	
DIMENSIONS: mm [INCHES]		CHK K. DOWHOWER 09SEP99		
TOLERANCES UNLESS OTHERWISE SPECIFIED:		APVD K. DOWHOWER 09SEP99	NAME RECEPTACLE ASSY, SERIES 6, STANDARD SEX, SIZE 23-16, CIRCULAR PLASTIC CONNECTOR	
0 PLC ± 1 PLC ± 2 PLC ±0.02 3 PLC ± 4 PLC ± ANGLES ± FINISH -		PRODUCT SPEC 108-1579	SIZE A200779	CAGE CODE C-796207
MATERIAL △		APPLICATION SPEC -	WEIGHT -	RESTRICTED TO -
		CUSTOMER DRAWING	SCALE 2:1	SHEET 1 OF 1

X-ON Electronics

Largest Supplier of Electrical and Electronic Components

Click to view similar products for [Standard Circular Connector](#) category:

Click to view products by [TE Connectivity](#) manufacturer:

Other Similar products are found below :

[5M2530B10P](#) [600259N006](#) [600273N007](#) [6134-336-13149](#) [6134-337-11149](#) [6134-337-2390](#) [6134-341-17149](#) [6280-4SG-516](#) [6280-7SG-3DC6290](#) [6291A](#) [66200A-10](#) [680-SMG](#) [681-PMG](#) [CXS3102A14S2P](#) [CXS3102A181S](#) [7251-5SG-300](#) [7271-6SG-300](#) [7282-3PG-300-CH3](#) [75-474618-01S](#) [75-474618-04P](#) [75-474618-04S](#) [799539-000](#) [MI8-SE](#) [805-005-07NF11-19PC](#) [805-005-07NF15-7PA](#) [8280-4PG-516](#) [8280-7PG-519](#) [8282-5PG-519](#) [836783-1](#) [MP-4102-25P-C](#) [862256-1](#) [864019-2](#) [866857-1](#) [867865-1](#) [PT01SP-14-18P](#) [PT08P-14-5S](#) [PTSF06SE-14-12S120-1833-000](#) [QCM019PC2DC012B](#) [1-2069279-1](#) [121583-0217](#) [121667-0020](#) [129591AU](#) [1000B BULK](#) [RD10A16-19-P6CS051/1](#)
[RD10A20-31-P8CS051/1](#) [RD16A14-12-S6CS051/2](#) [1301240290](#) [1301240347](#) [1301860202](#)