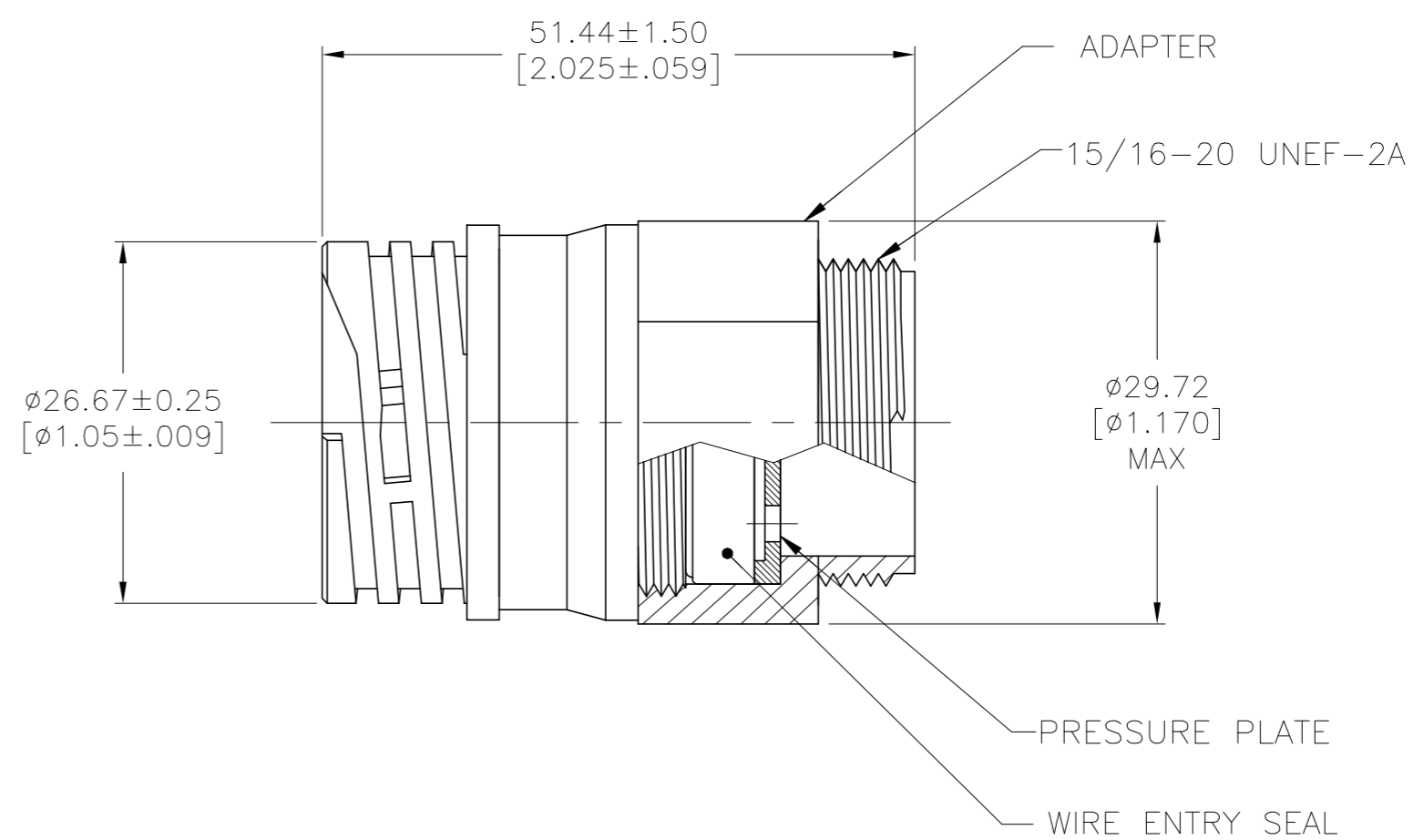
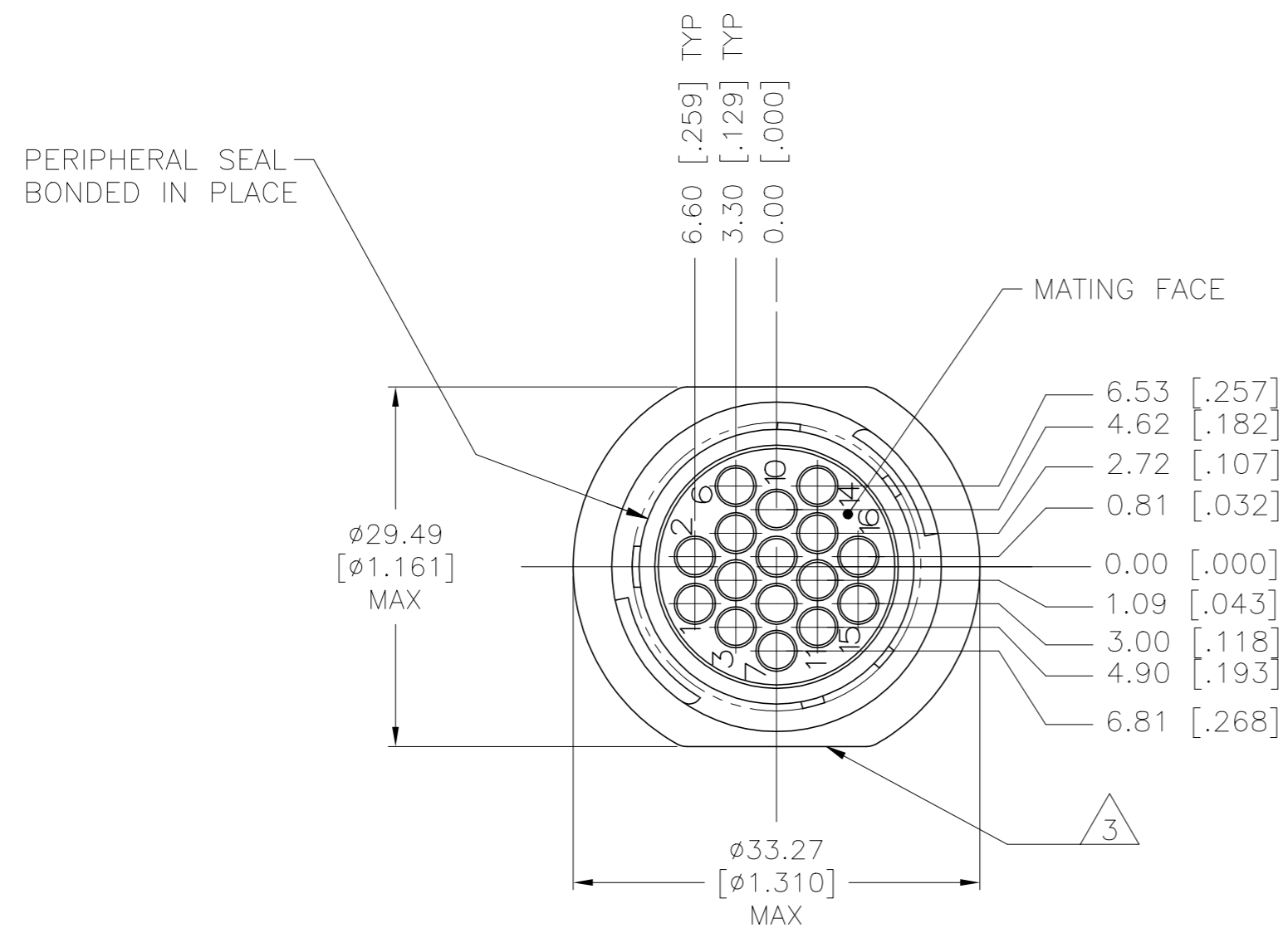


THIS DRAWING IS UNPUBLISHED. RELEASED FOR PUBLICATION  
 © COPYRIGHT - By - ALL RIGHTS RESERVED.

| REVISIONS |     |                           |           |     |      |
|-----------|-----|---------------------------|-----------|-----|------|
| P         | LTR | DESCRIPTION               | DATE      | DWN | APVD |
| F         |     | REVISED PER ECO-08-032010 | 26MAR09   | HMR | MS   |
| G         |     | REVISED PER ECO-16-006378 | 03NOV2016 | RS  | MZ   |
| H         |     | REVISED PER ECO-19-007001 | 07MAY2019 | RS  | MZ   |
| J         |     | REVISED PER ECO-19-011232 | 07AUG2019 | RS  | MZ   |

- 1 HOUSING, ADAPTER AND PRESSURE PLATE: NYLON, BLACK.  
WIRE ENTRY SEAL: ELASTOMER, RED-IRON OXIDE.  
PERIPHERAL SEAL: ELASTOMER, BLACK.
- 2 CONNECTOR WILL ACCEPT (16) MULTIMATE PIN CONTACTS.
- 3 PART NUMBER STAMPED ON EITHER STRAIGHT EDGE, AS INDICATED.



|          |                                |            |             |
|----------|--------------------------------|------------|-------------|
| OBSOLETE | .040 - .080                    | SMALL      | 796276-3    |
|          | .040 - .080                    | SMALL      | 796276-2    |
|          | .065 - .100                    | STANDARD   | 796276-1    |
|          | WIRE INSULATION DIAMETER RANGE | INSULATION | PART NUMBER |

|   |  |                                    |  |                        |
|---|--|------------------------------------|--|------------------------|
| THIS DRAWING IS A CONTROLLED DOCUMENT.                                      |  | DWN<br>L. McEACHIN<br>27-JAN-2000  | TE Connectivity  |                        |
| DIMENSIONS: mm [INCHES]   |  | CHK<br>K. DOWHOWER<br>27-JAN-2000  |  |                        |
| TOLERANCES UNLESS OTHERWISE SPECIFIED:                                      |  | APVD<br>K. DOWHOWER<br>27-JAN-2000 | NAME<br>ASSEMBLY, RECEPTACLE, STD SEX, 17-16, STD OR SMALL INSULATION DIA., SEALED |                        |
| 0 PLC ± -<br>1 PLC ± -<br>2 PLC ± -<br>3 PLC ± -<br>4 PLC ± -<br>ANGLES ± - |  | PRODUCT SPEC<br>APPLICATION SPEC   | SIZE<br>A2   |                        |
| MATERIAL<br>- 1   |  | WEIGHT<br>-                        | CAGE CODE<br>00779   | DRAWING NO<br>C=796276 |
| CUSTOMER DRAWING  |  |                                    | SCALE<br>2:1   | SHEET<br>1 of 1        |
|   |  |                                    | RESTRICTED TO<br>-   | REV<br>J               |

## X-ON Electronics

Largest Supplier of Electrical and Electronic Components

*Click to view similar products for [Standard Circular Connector](#) category:*

*Click to view products by [TE Connectivity](#) manufacturer:*

Other Similar products are found below :

[5M2530B10P](#) [600259N006](#) [600273N007](#) [6134-336-13149](#) [6134-337-11149](#) [6134-337-2390](#) [6134-341-17149](#) [6280-4SG-516](#) [6280-7SG-3DC](#)  
[6290](#) [6291A](#) [66200A-10](#) [680-SMG](#) [681-PMG](#) [CXS3102A14S2P](#) [CXS3102A181S](#) [7251-5SG-300](#) [7271-6SG-300](#) [7282-3PG-300-CH3](#) [75-](#)  
[474618-01S](#) [75-474618-04P](#) [75-474618-04S](#) [799539-000](#) [MI8-SE](#) [805-005-07NF11-19PC](#) [805-005-07NF15-7PA](#) [8280-4PG-516](#) [8280-7PG-](#)  
[519](#) [8282-5PG-519](#) [836783-1](#) [MP-4102-25P-C](#) [862256-1](#) [864019-2](#) [866857-1](#) [867865-1](#) [PT01SP-14-18P](#) [PT08P-14-5S](#) [PTSF06SE-14-12S](#)  
[120-1833-000](#) [QCM019PC2DC012B](#) [1-2069279-1](#) [121583-0217](#) [121667-0020](#) [129591AU](#) [1000B BULK](#) [RD10A16-19-P6CS051/1](#)  
[RD10A20-31-P8CS051/1](#) [RD16A14-12-S6CS051/2](#) [1301240290](#) [1301240347](#) [1301860202](#)