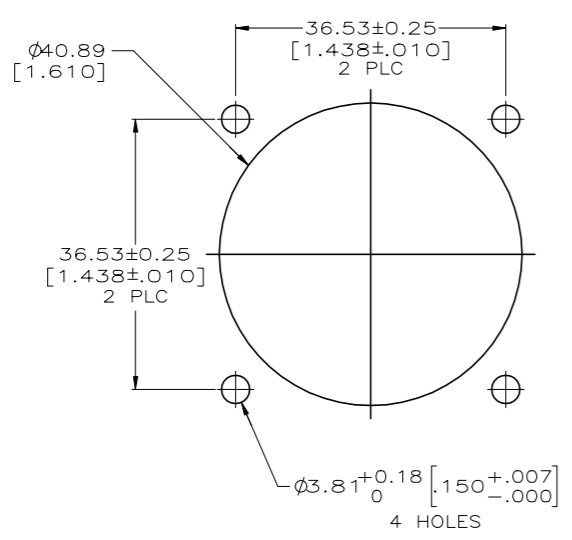
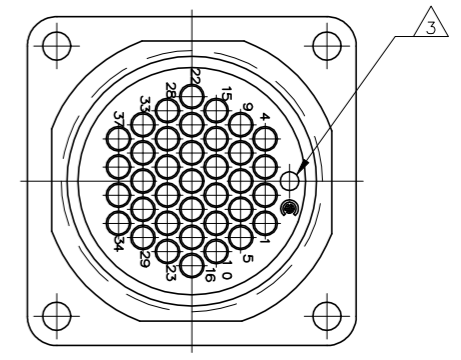
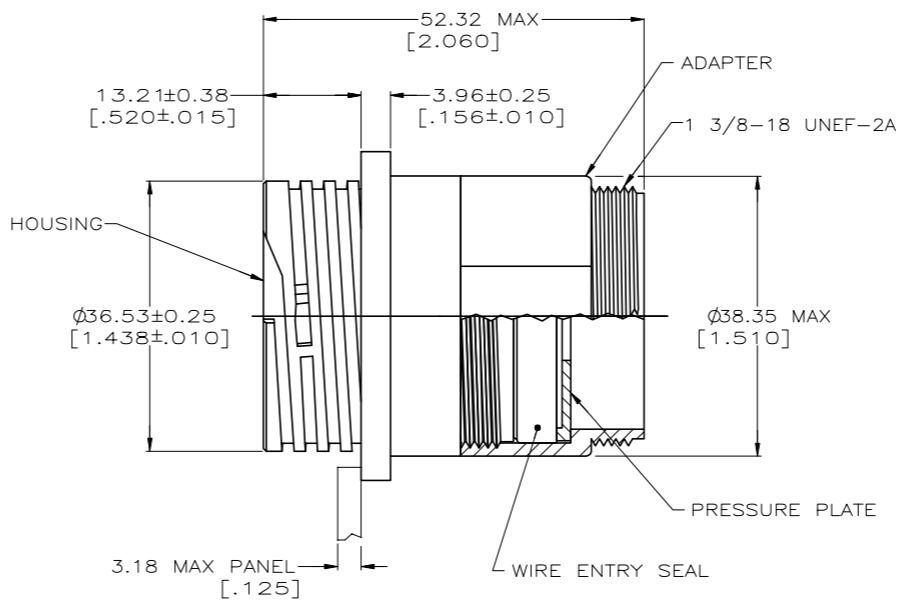
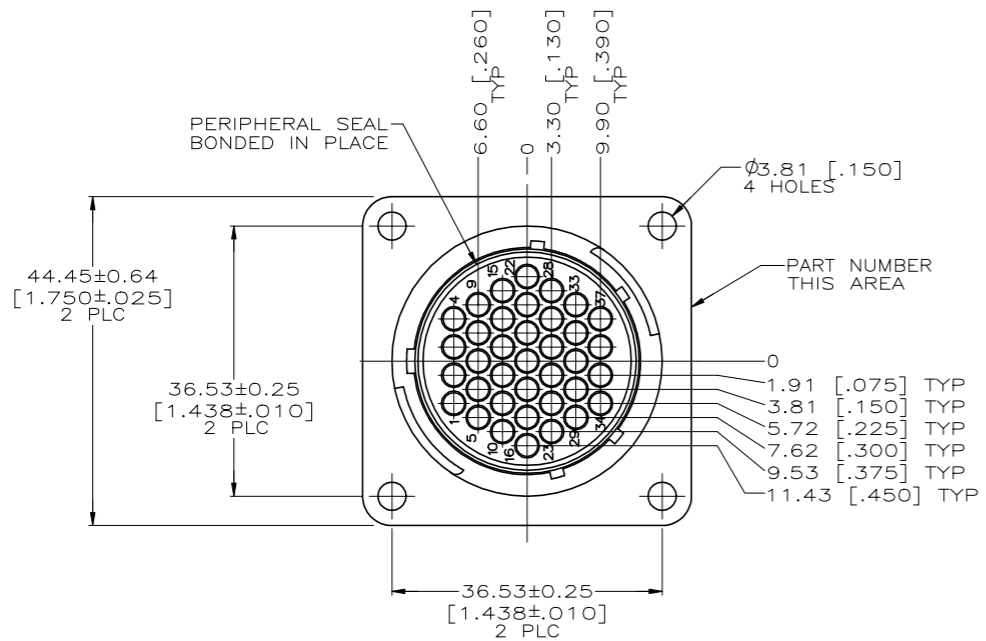


THIS DRAWING IS UNPUBLISHED. RELEASED FOR PUBLICATION
 © COPYRIGHT - By - ALL RIGHTS RESERVED.

REVISIONS				
#	LTR	DESCRIPTION	DATE	APPD
B		REVISED PER ECO-11-019033	20SEP11	KH MZ
C		REVISED PER ECO-19-011232	06AUG2019	RS MZ



RECOMMENDED PANEL CUTOUT

- 1 ADAPTER AND HOUSING: NYLON, BLACK.
WIRE ENTRY SEAL: ELASTOMER, RED-IRON OXIDE.
PERIPHERAL SEAL: ELASTOMER, BLACK.
- 2. CONNECTOR WILL ACCEPT (37) MULTIMATE PIN CONTACTS.
- 3 ORIENTATION HOLE USED IN THE MANUFACTURING PROCESS ONLY.
THIS HOLE IS NOT INTENDED FOR WIRE INSERTION.

796286-1
PART NUMBER

THIS DRAWING IS A CONTROLLED DOCUMENT.		DWN: C.DORWART 11 NOV 98 CHK: K.DOWHOWER 15NOV99		TE Connectivity	
DIMENSIONS: INCHES		TOLERANCES UNLESS OTHERWISE SPECIFIED:		RCPT ASSEMBLY, SIZE 23-37, STANDARD SEX, SQUARE FLANGE, SEALED CIRCULAR PLASTIC CONNECTOR	
Ø		0 PLC ± - 1 PLC ± - 2 PLC ± 0.1X(.005) 3 PLC ± - 4 PLC ± - ANGLES ± -		APVD: K.DOWHOWER 15NOV99 PRODUCT SPEC: 108-1579 APPLICATION SPEC: -	
MATERIAL: 1		FINISH: -		SIZE: A1 CAGE CODE: 00779 DRAWING NO: C=796286 RESTRICTED TO: -	
CUSTOMER DRAWING		SCALE: 2:1		SHEET 1 OF 1 REV C	

X-ON Electronics

Largest Supplier of Electrical and Electronic Components

Click to view similar products for [Standard Circular Connector](#) category:

Click to view products by [TE Connectivity](#) manufacturer:

Other Similar products are found below :

[5M2530B10P](#) [600259N006](#) [600273N007](#) [6134-336-13149](#) [6134-337-11149](#) [6134-337-2390](#) [6134-341-17149](#) [6280-4SG-516](#) [6280-7SG-3DC](#)
[6290](#) [6291A](#) [66200A-10](#) [680-SMG](#) [681-PMG](#) [CXS3102A14S2P](#) [CXS3102A181S](#) [7271-6SG-300](#) [7282-3PG-300-CH3](#) [75-474618-01S](#) [75-](#)
[474618-04P](#) [75-474618-04S](#) [799539-000](#) [MI8-SE](#) [805-005-07NF11-19PC](#) [805-005-07NF15-7PA](#) [8280-4PG-516](#) [8280-7PG-519](#) [8282-5PG-](#)
[519](#) [836783-1](#) [MP-4102-25P-C](#) [862256-1](#) [864019-2](#) [866857-1](#) [867865-1](#) [PT01SP-14-18P](#) [PT08P-14-5S](#) [120-1833-000](#)
[QCM019PC2DC012B](#) [1-2069279-1](#) [121583-0217](#) [121667-0020](#) [129591AU](#) [1000B BULK](#) [RD10A16-19-P6CS051/1](#) [RD10A20-31-](#)
[P8CS051/1](#) [RD16A14-12-S6CS051/2](#) [1301240290](#) [1301240347](#) [1301860202](#) [1301240268](#) [1301240275](#)