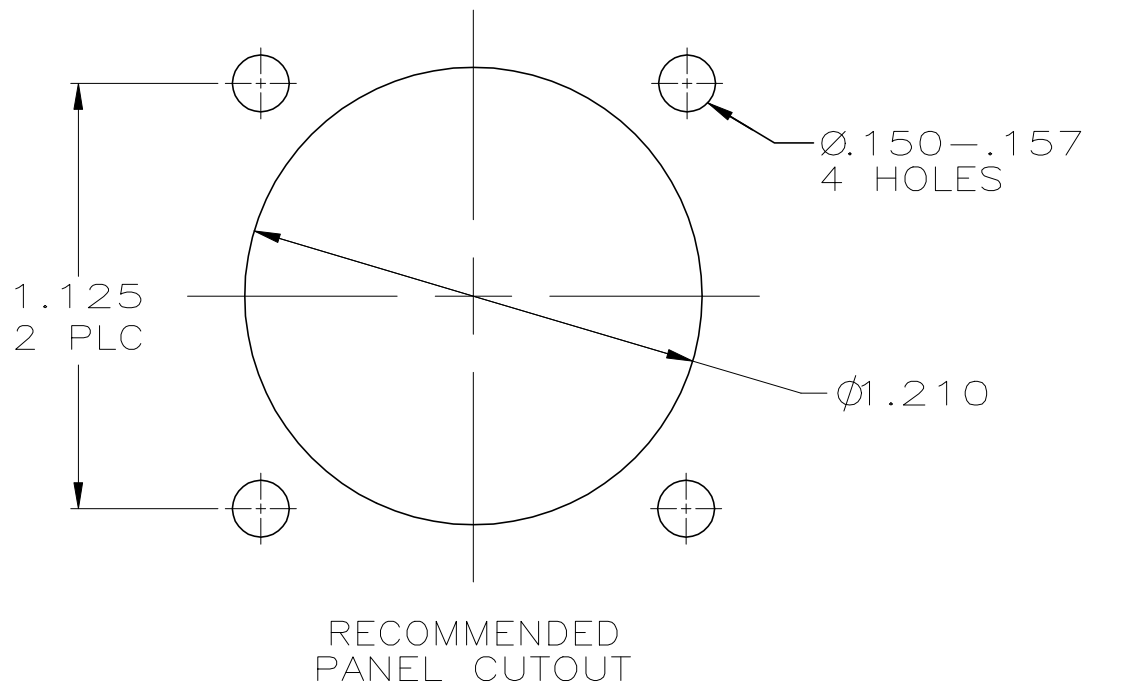
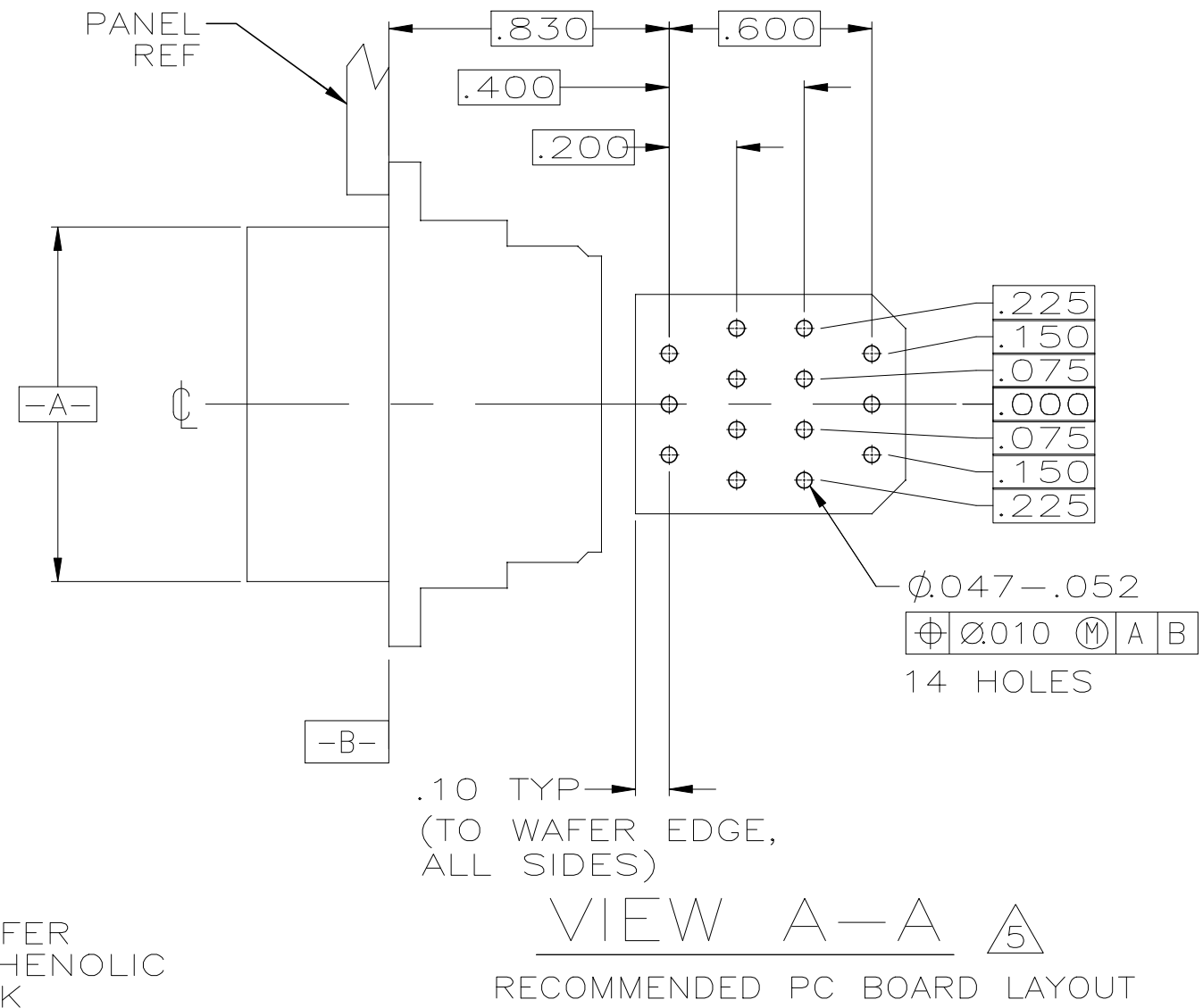
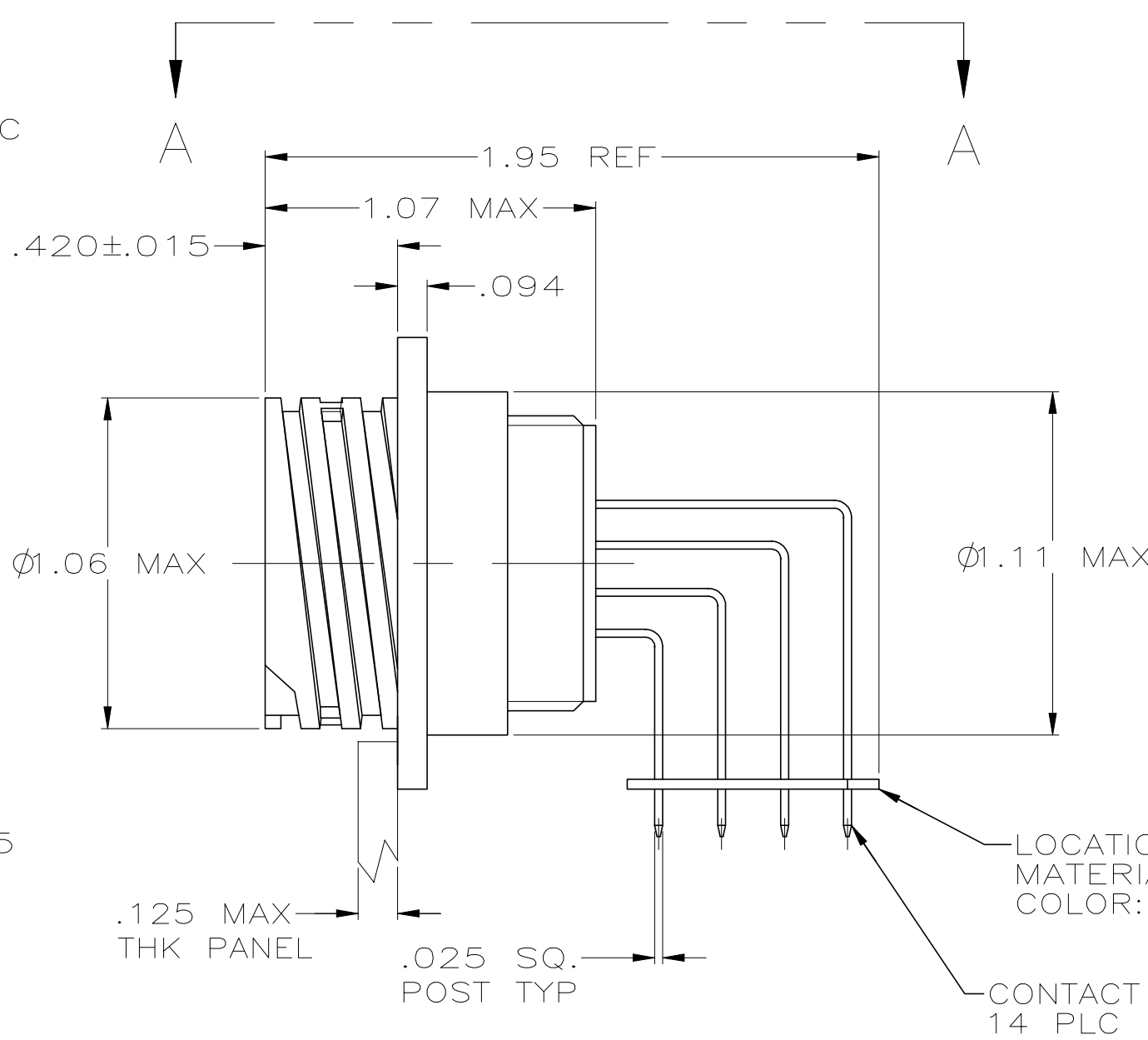
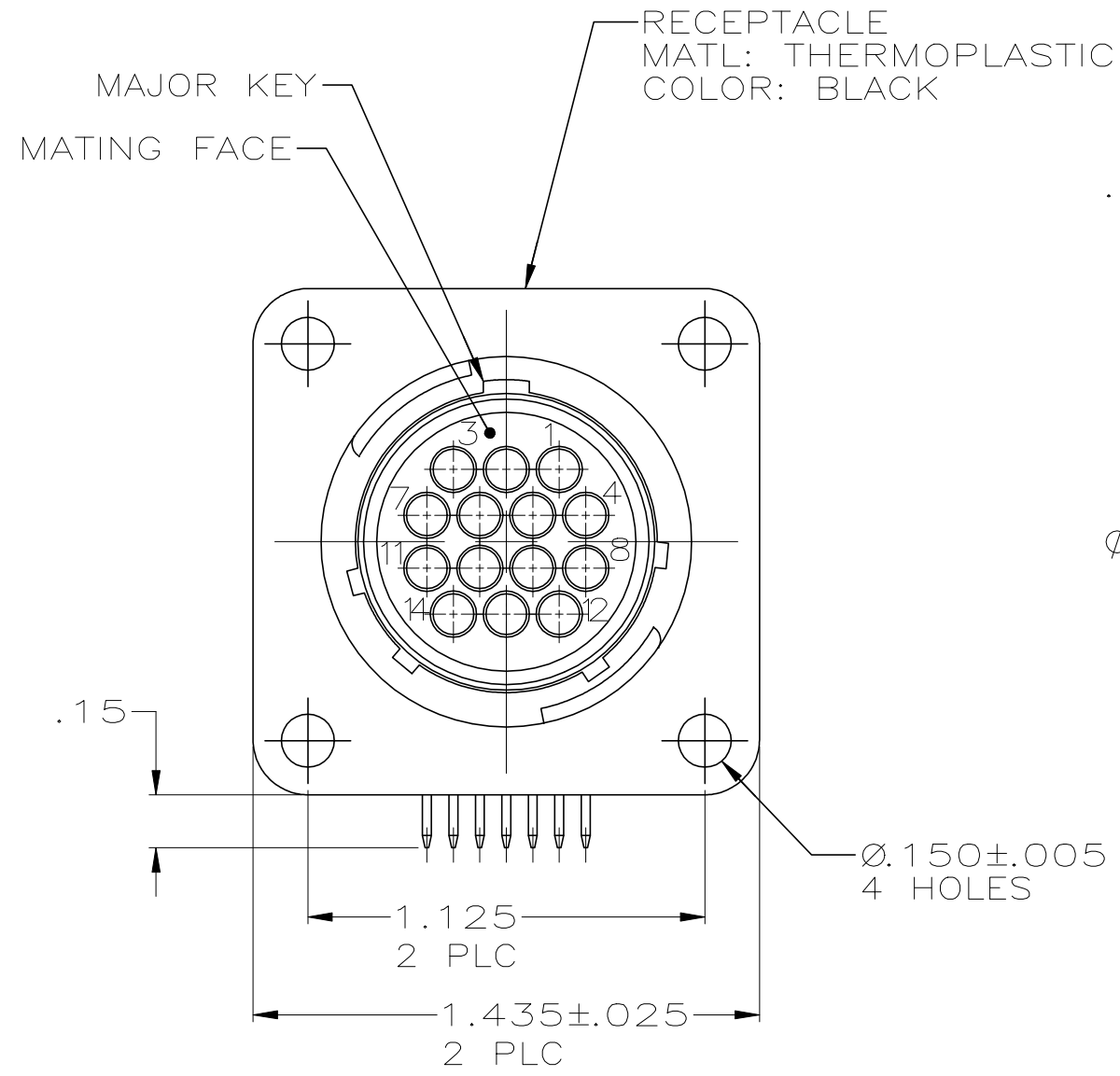


THIS DRAWING IS UNPUBLISHED. RELEASED FOR PUBLICATION
 © COPYRIGHT - TE Connectivity Ltd. ALL RIGHTS RESERVED.

REVISIONS					
P	LTR	DESCRIPTION	DATE	DWN	APVD
C		REVISE PER ECN 0G3B-0587-00	07DEC00	SU	MC
D		REVISED PER ECO-19-012500	14AUG2019	RS	MZ



1. CONTACT CAVITIES IDENTIFIED BY CHARACTERS ON FRONT AND REAR FACES OF CONNECTOR.
2. #6 FASTENER RECOMMENDED FOR MOUNTING.
3. CONTACT BODY: .000100 MIN TIN-LEAD OVER .000050 MIN NICKEL. CONTACT POST: .000100 MIN TIN-LEAD OVER .000100 MIN COPPER.
4. CONTACT BODY: .000030 MIN GOLD FOR A LENGTH OF .200 MIN FROM MATING END, WITH REMAINDER TO BE GOLD FLASH, BOTH OVER .000050 MIN NICKEL. CONTACT POST: .000100 MIN TIN-LEAD OVER .000100 MIN COPPER.
5. PC BOARD HOLE PATTERN IS DEFINED RELATIVE TO CONNECTOR AND PANEL MOUNTING FACE INDICATED.
6. CONTACT BODY: .000030 MIN GOLD FOR A LENGTH OF .200 MIN FROM MATING END, WITH REMAINDER TO BE GOLD FLASH, BOTH OVER .000050 NICKEL. CONTACT POST: .000100 MIN TIN OVER .000100 MIN COPPER.

6	796348-5
4	796348-2
3	796348-1
CONTACT FINISH	PART NUMBER

THIS DRAWING IS A CONTROLLED DOCUMENT.		DWN HAMNER 3-10-00	TE Connectivity	
DIMENSIONS: INCHES		CHK M.CHACKO 3-21-00		
		APVD M.CHACKO 3-21-00	NAME	
TOLERANCES UNLESS OTHERWISE SPECIFIED:		PRODUCT SPEC	RECEPTACLE ASSY, POSTED, RT ANGLE, RVS SEX, SIZE 17-14, SERIES 1, CPC	
0 PLC ± -		APPLICATION SPEC	SIZE	CAGE CODE
1 PLC ± -		WEIGHT	A2	00779
2 PLC ± .03		CUSTOMER DRAWING	DRAWING NO C=796348	
3 PLC ± .010		SCALE	2/1	SHEET 1 of 1
4 PLC ± -		REV	D	
ANGLES ± -				
FINISH				

X-ON Electronics

Largest Supplier of Electrical and Electronic Components

Click to view similar products for [Standard Circular Connector](#) category:

Click to view products by [TE Connectivity](#) manufacturer:

Other Similar products are found below :

[5M2530B10P](#) [600259N006](#) [600273N007](#) [6134-336-13149](#) [6134-337-11149](#) [6134-337-2390](#) [6134-341-17149](#) [6280-4SG-516](#) [6280-7SG-3DC](#)
[6290](#) [6291A](#) [66200A-10](#) [680-SMG](#) [681-PMG](#) [CXS3102A14S2P](#) [CXS3102A181S](#) [7271-6SG-300](#) [7282-3PG-300-CH3](#) [75-474014-05S](#) [75-](#)
[474618-01S](#) [75-474618-04P](#) [75-474618-04S](#) [799539-000](#) [MI8-SE](#) [805-005-07NF11-19PC](#) [805-005-07NF15-7PA](#) [8280-4PG-516](#) [8280-7PG-](#)
[519](#) [8282-5PG-519](#) [836783-1](#) [MP-4102-25P-C](#) [862256-1](#) [864019-2](#) [866857-1](#) [867865-1](#) [PT01SP-14-18P](#) [PT08P-14-5S](#) [120-1833-000](#)
[QCM019PC2DC012B](#) [1-2069279-1](#) [121583-0217](#) [121667-0020](#) [129591AU](#) [1000B BULK](#) [RD10A16-19-P6CS051/1](#) [RD10A20-31-](#)
[P8CS051/1](#) [RD16A14-12-S6CS051/2](#) [1301240290](#) [1301240347](#) [1301860202](#) [1301240268](#)