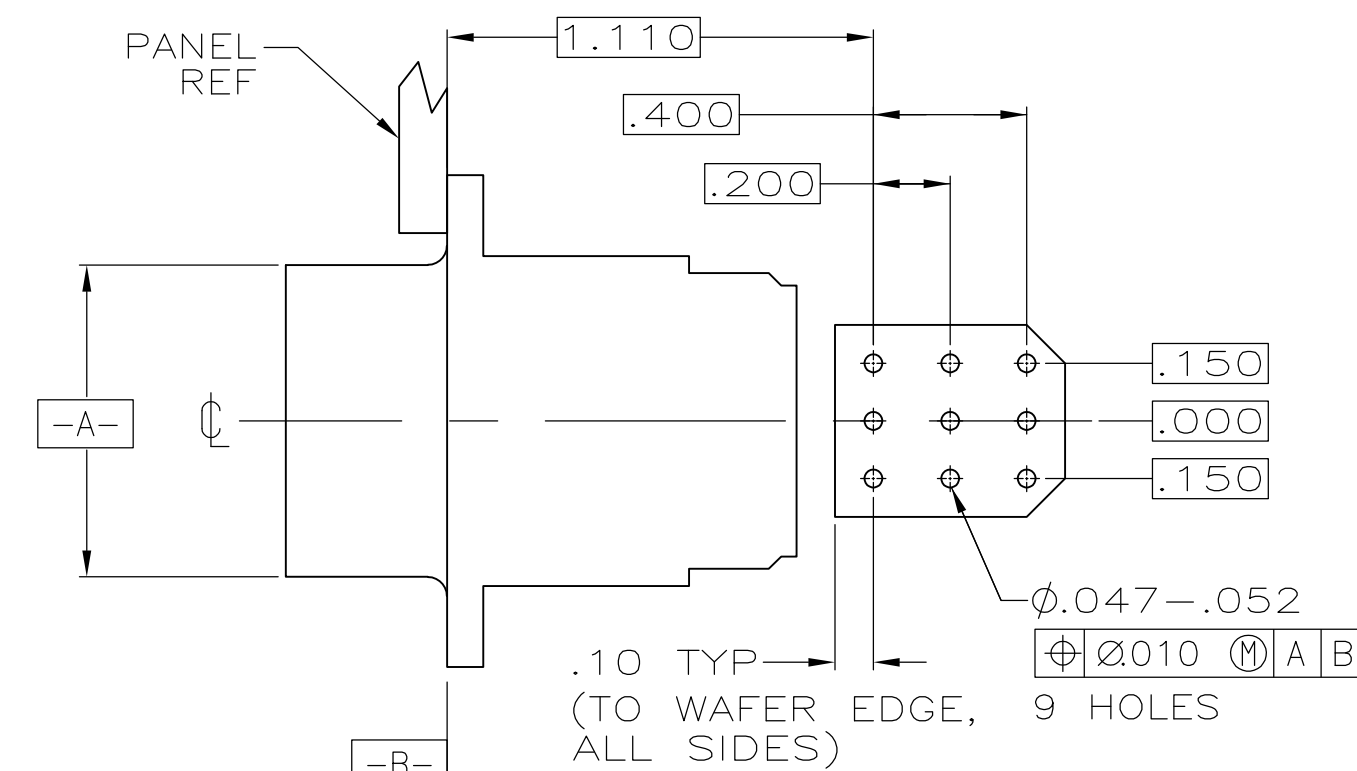
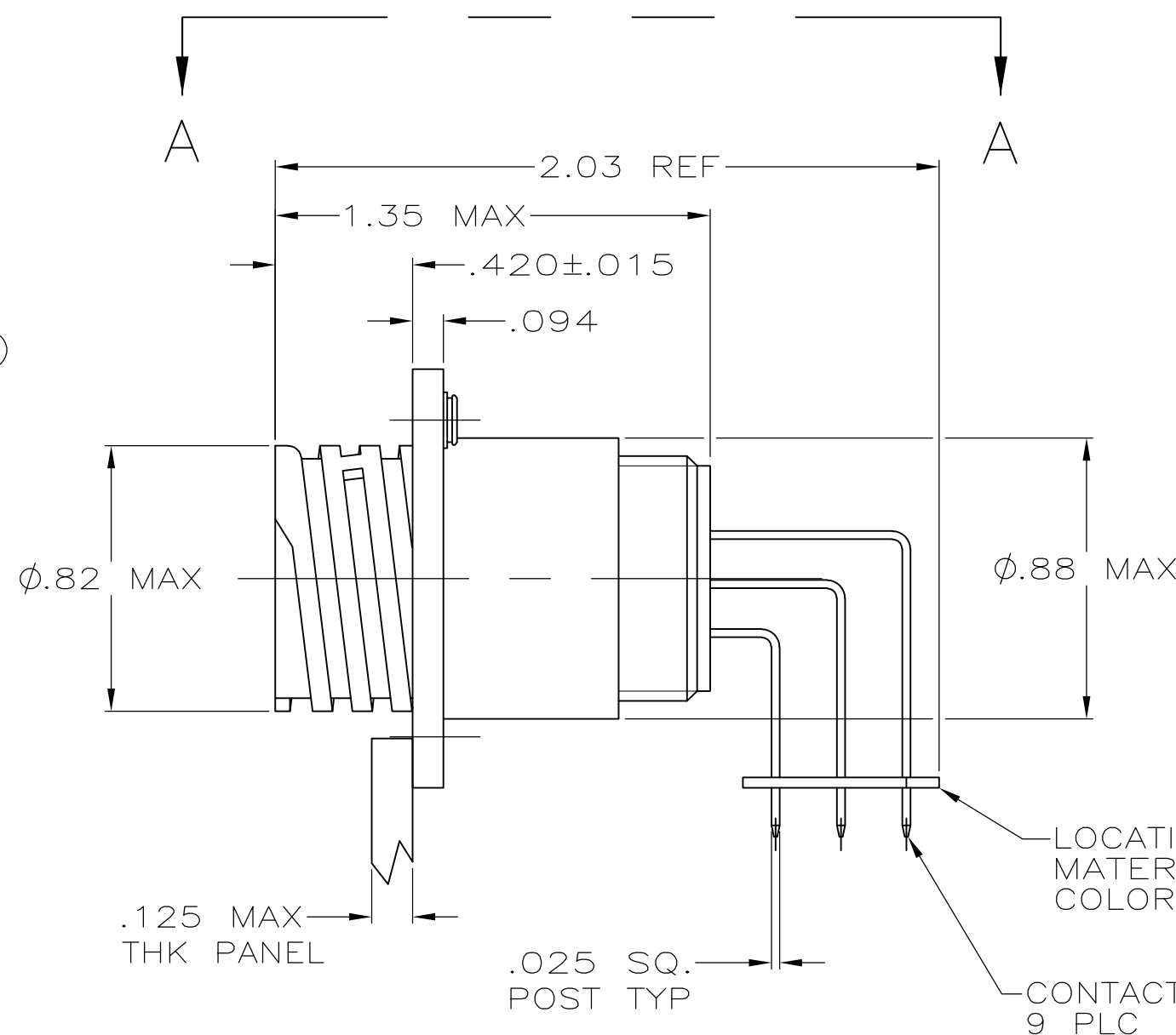
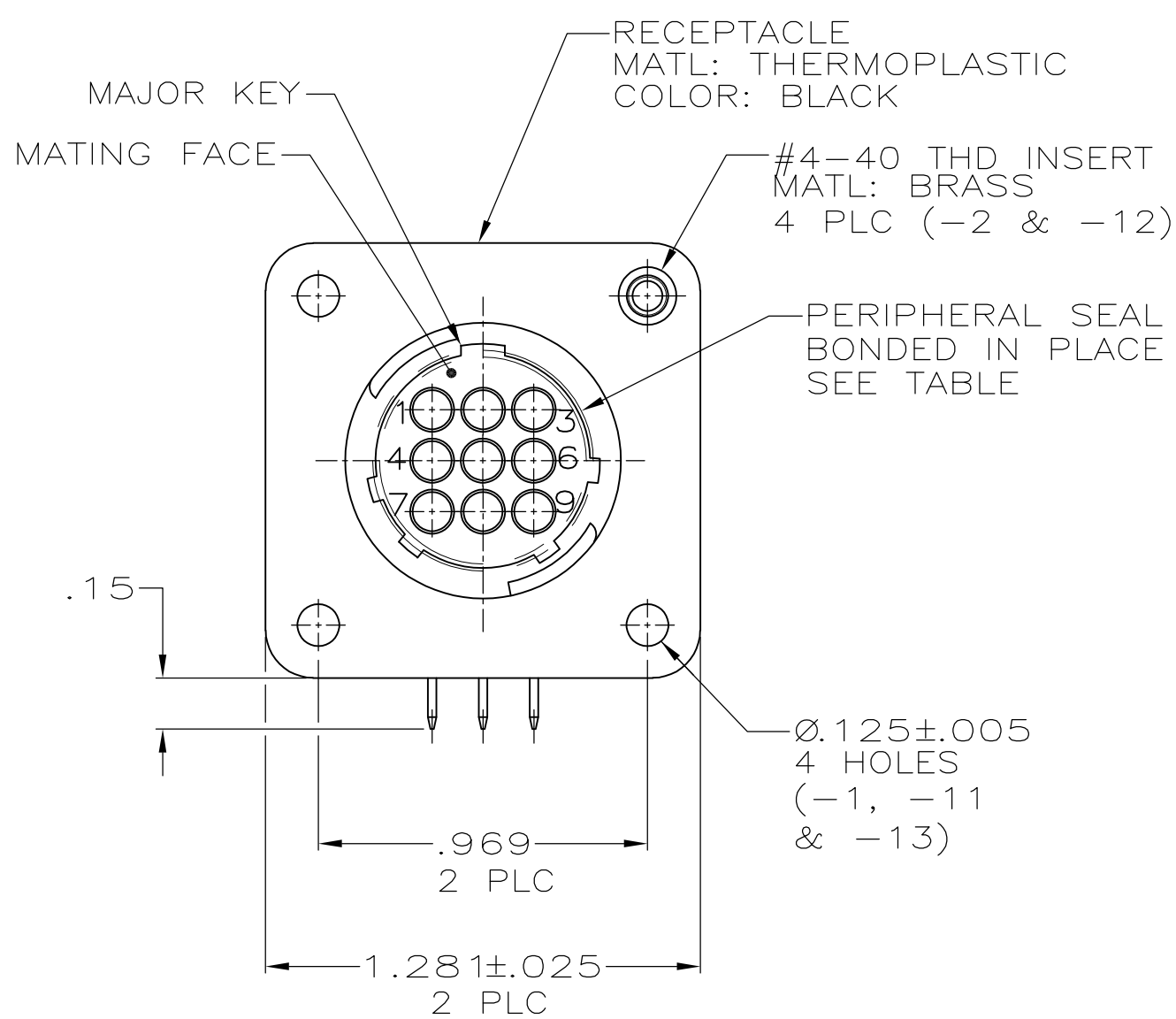
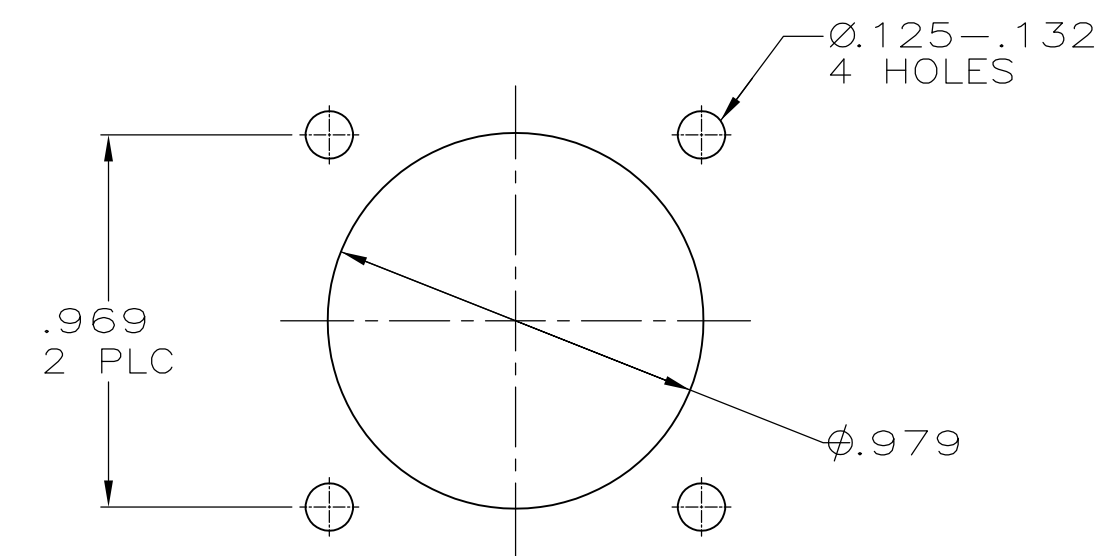


THIS DRAWING IS UNPUBLISHED. RELEASED FOR PUBLICATION
 © COPYRIGHT - By - ALL RIGHTS RESERVED.

REVISIONS				
P	LTR	DESCRIPTION	DATE	APVD
F1		REVISED PER ECO-16-004800	10SEP2016	NK MZ



VIEW A-A
 RECOMMENDED PC BOARD LAYOUT



RECOMMENDED PANEL CUTOUT

- 1 CONTACT CAVITIES IDENTIFIED BY CHARACTERS ON FRONT AND REAR FACES OF CONNECTOR.
- 2 #4 FASTENER RECOMMENDED FOR -1 MOUNTING.
#4 FASTENER REQUIRED FOR -2 MOUNTING.
- 3 CONTACT BODY: .000030 MIN GOLD FOR A LENGTH OF .250 MIN FROM MATING END, WITH REMAINDER TO BE GOLD FLASH, BOTH OVER .000050 MIN NICKEL.
CONTACT POST: .000100 MIN TIN-LEAD OVER .000100 MIN COPPER.
- 4 PC BOARD HOLE PATTERN IS DEFINED RELATIVE TO CONNECTOR C.L. AND PANEL MOUNTING FACE INDICATED.
- 5 CONTACT BODY: .000030 MIN GOLD FOR A LENGTH OF .250 MIN FROM MATING END, WITH REMAINDER TO BE GOLD FLASH, BOTH OVER .000050 MIN NICKEL.
CONTACT POST: .000100 MIN TIN OVER .000100 MIN COPPER.

OBSOLETE	5	YES	W/O INSERTS	1-796375-3
	5	NO	W/INSERTS	1-796375-2
	5	NO	W/O INSERTS	1-796375-1
OBSOLETE	3	YES	W/O INSERTS	796375-3
	3	NO	W/INSERTS	796375-2
	3	NO	W/O INSERTS	796375-1
CONTACT FINISH	SEAL	CONFIG.	PART NUMBER	

THIS DRAWING IS A CONTROLLED DOCUMENT.		DWN HAMNER 2-19-00		
DIMENSIONS: INCHES		CHK M.CHACKO 2-23-00		
TOLERANCES UNLESS OTHERWISE SPECIFIED:		APVD M.CHACKO 2-23-00	NAME	
0 PLC ± -		PRODUCT SPEC	RECEPTACLE ASSY, POSTED, RT ANGLE, STD SEX, SIZE 13-9, SERIES 1, CPC	
1 PLC ± -		APPLICATION SPEC	SIZE A2	CAGE CODE 00779
2 PLC ± .03		WEIGHT	DRAWING NO C=796375	RESTRICTED TO
3 PLC ± .010		CUSTOMER DRAWING	SCALE 2:1	SHEET 1 of 1
4 PLC ± -			REV F1	
ANGLES ± -				
FINISH				

X-ON Electronics

Largest Supplier of Electrical and Electronic Components

Click to view similar products for [Standard Circular Connector](#) category:

Click to view products by [TE Connectivity](#) manufacturer:

Other Similar products are found below :

[5M2530B10P](#) [600259N006](#) [600273N007](#) [6134-336-13149](#) [6134-337-11149](#) [6134-337-2390](#) [6134-341-17149](#) [6280-4SG-516](#) [6280-7SG-3DC](#)
[6290](#) [6291A](#) [66200A-10](#) [680-SMG](#) [681-PMG](#) [CXS3102A14S2P](#) [CXS3102A181S](#) [7251-5SG-300](#) [7271-6SG-300](#) [7282-3PG-300-CH3](#) [75-](#)
[474618-01S](#) [75-474618-04P](#) [75-474618-04S](#) [799539-000](#) [MI8-SE](#) [805-005-07NF11-19PC](#) [805-005-07NF15-7PA](#) [8280-4PG-516](#) [8280-7PG-](#)
[519](#) [8282-5PG-519](#) [836783-1](#) [MP-4102-25P-C](#) [862256-1](#) [864019-2](#) [866857-1](#) [867865-1](#) [PT01SP-14-18P](#) [PT08P-14-5S](#) [PTSF06SE-14-12S](#)
[120-1833-000](#) [QCM019PC2DC012B](#) [1-2069279-1](#) [121583-0217](#) [121667-0020](#) [129591AU](#) [1000B BULK](#) [RD10A16-19-P6CS051/1](#)
[RD10A20-31-P8CS051/1](#) [RD16A14-12-S6CS051/2](#) [1301240290](#) [1301240347](#) [1301860202](#)