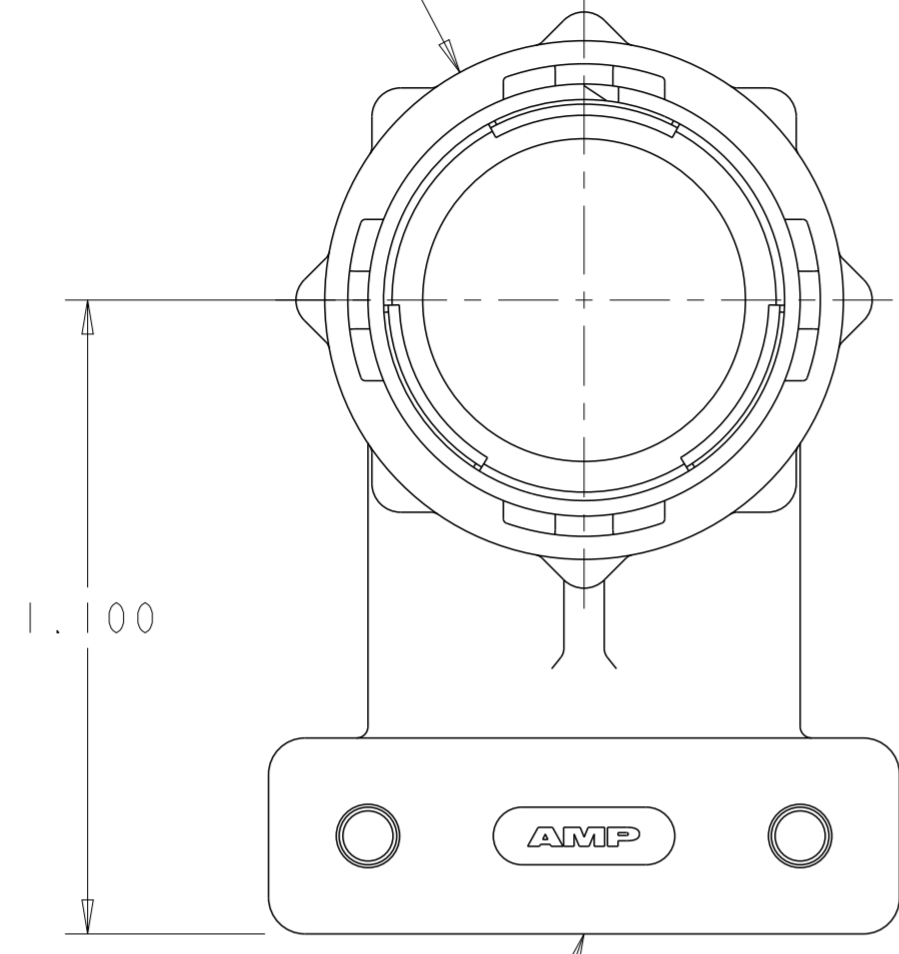


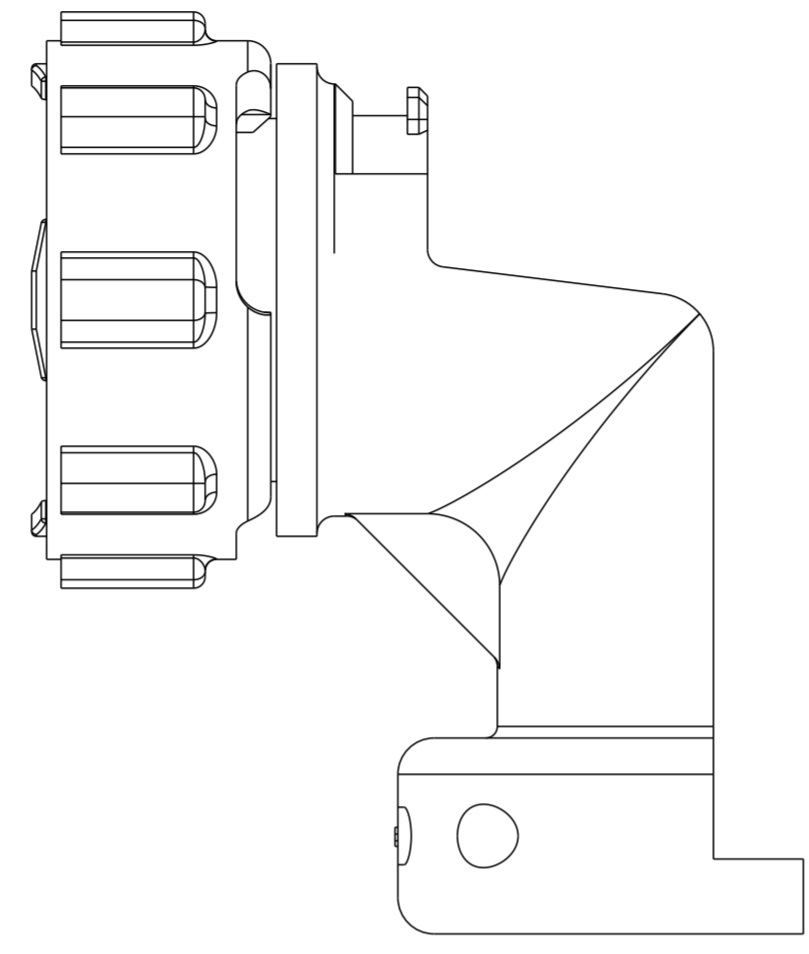
THIS DRAWING IS UNPUBLISHED. RELEASED FOR PUBLICATION  
 © COPYRIGHT 20 BY - ALL RIGHTS RESERVED.

REVISIONS					
P	LTR	DESCRIPTION	DATE	DWN	APVD
E		REVISED PER ECO-10-012730	20SEP10	HMR	MG
F		REVISED PER ECO-18-003937	15MAR2018	RS	MZ

COUPLING RING  
 NYLON, COLOR:BLACK



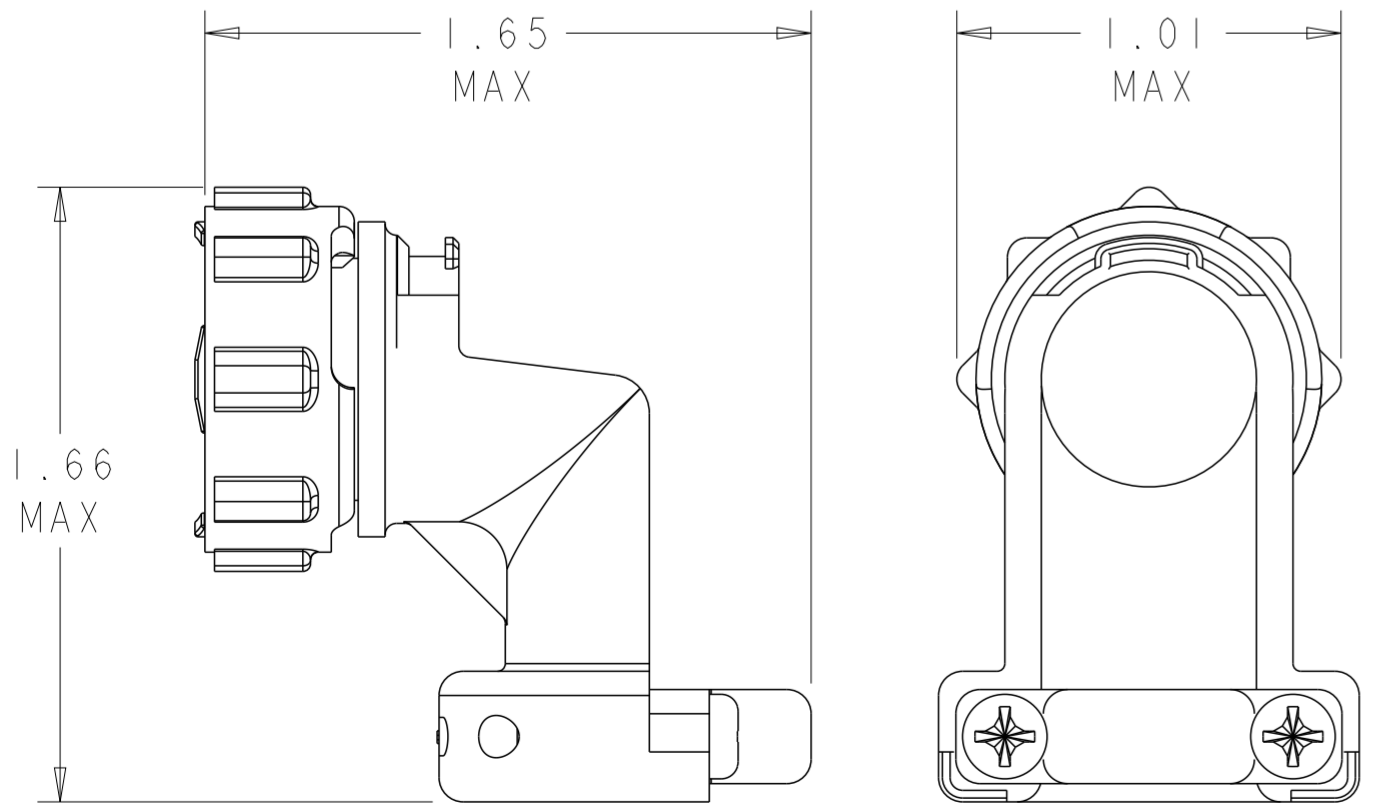
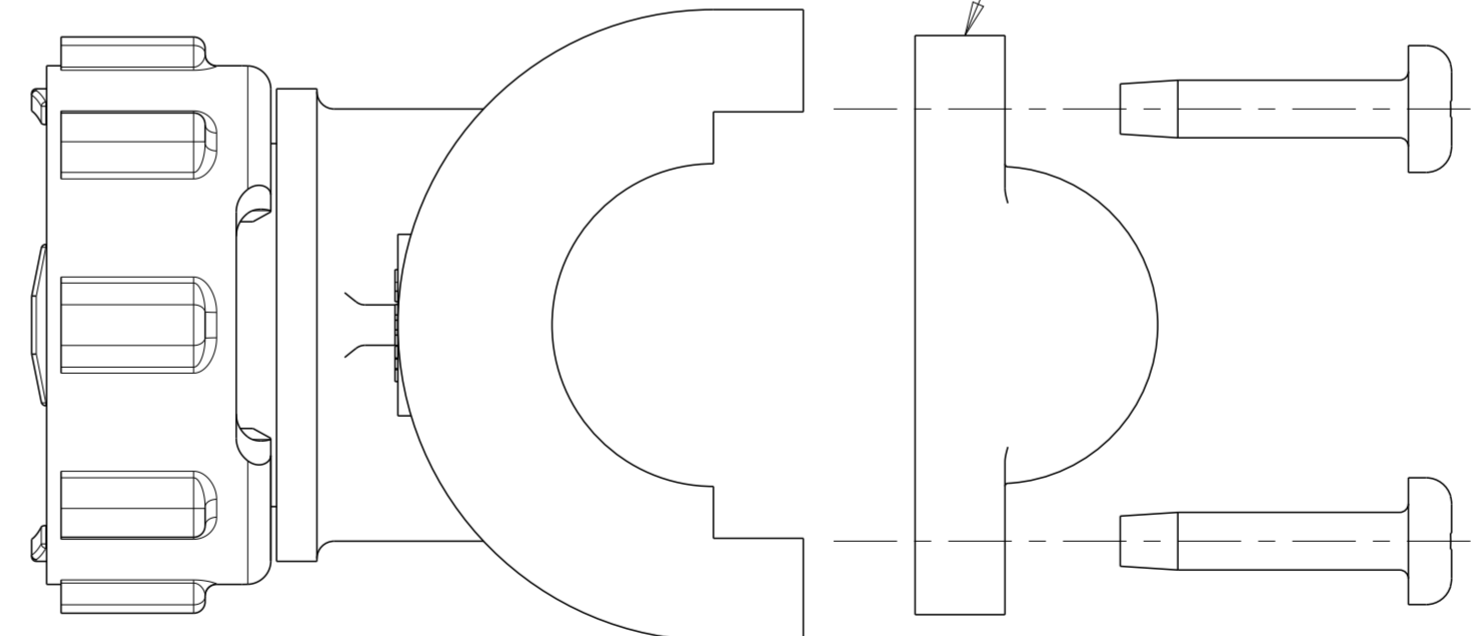
CABLE CLAMP BODY  
 NYLON, COLOR:BLACK



- ① SELF TAPPING SCREWS AND CABLE CLAMP INSERTS PACKAGED UNASSEMBLED.
- ② CLAMPING AREA ADJUSTABLE TO .453 O.D. MAX CABLE. CABLE CLAMP INSERTS CAN BE ADJUSTED BY INVERTING OR CHANGING CABLE CLAMP INSERT.

① 5-20 SELF TAPPING SCREW  
 MATERIAL: STEEL  
 FINISH: ZINC PLATED  
 QTY: 2  
 LENGTH: .50<sup>+.00</sup><sub>-.05</sub>

①② CABLE CLAMP INSERT  
 NYLON, COLOR:BLACK  
 QTY: 2



ASSEMBLED VIEW  
 SCALE 2:1

SUPERSEDED BY - 2  
 796380-2  
 796380-1  
 PART NUMBER

THIS DRAWING IS A CONTROLLED DOCUMENT.		DWN S. WELDON 11FEB2000	TE Connectivity				
DIMENSIONS: INCHES		CHK M. CHACKO 11FEB2000					
TOLERANCES UNLESS OTHERWISE SPECIFIED:		APVD M. CHACKO 11FEB2000					
0 PLC ± 1 PLC ± 2 PLC ± 3 PLC ±0.005 4 PLC ± ANGLES ± FINISH -		PRODUCT SPEC - APPLICATION SPEC - WEIGHT -					
MATERIAL -		CUSTOMER DRAWING	NAME CABLE CLAMP KIT, UNASSEMBLED, RIGHT ANGLE, SIZE 13, CPC	SIZE A200779	CAGE CODE C-796380	DRAWING NO -	RESTRICTED TO -
			SCALE 3:1	SHEET 1	OF 1	REV F	

## X-ON Electronics

Largest Supplier of Electrical and Electronic Components

*Click to view similar products for [Standard Circular Connector](#) category:*

*Click to view products by [TE Connectivity](#) manufacturer:*

Other Similar products are found below :

[C015](#) [10F006](#) [001](#) [1](#) [5M2530B10P](#) [600259N006](#) [600273N007](#) [600432N009](#) [6280-2PG-519](#) [6280-3PG-311](#) [6280-3SG-311](#) [6280-7SG-3DC](#)  
[6280-7SG-522](#) [6282-2SG-321](#) [6282-5PG-311](#) [6282-6PG-519](#) [6282-8SG-311](#) [6283-11](#) [6283-15](#) [6290](#) [6382-2PG-311](#) [6382-2PG-3DC](#) [6382-](#)  
[2SG-321](#) [6382-2SG-3DC](#) [6382-4SG-516](#) [680-SMG](#) [681-PMG](#) [CXS3102A14S2P](#) [CXS3102A181S](#) [CXS3106A14S6S](#) [D38999/20FC8SA L/C](#)  
[MB12P-1](#) [7251-2PG-300](#) [7251-2SG-300](#) [7251-4PG-300](#) [7251-4SG-300](#) [7251-5PG-300](#) [7251-5SG-300](#) [7251-6SG-300](#) [7251-7PG-300](#) [7251-](#)  
[8PG-300](#) [7271-6SG-300](#) [7282-3PG-300-CH3](#) [7282-8PG-3ES](#) [73000005663](#) [75-190216-08S](#) [75-190218-10P](#) [75-474618-01S](#) [75-474620-07P](#)  
[799539-000](#) [MI8-SE](#) [80-190222-18P](#) [805-005-07NF11-19PC](#)