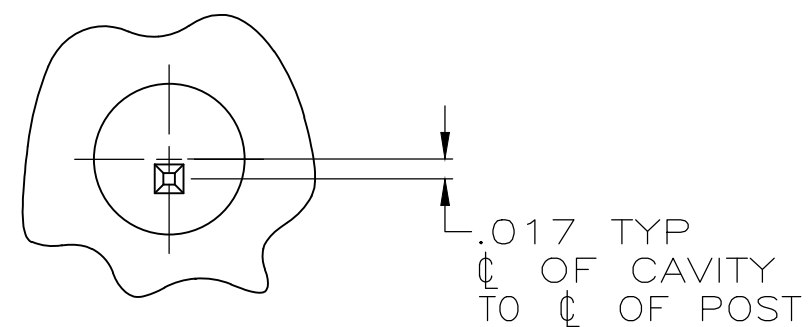
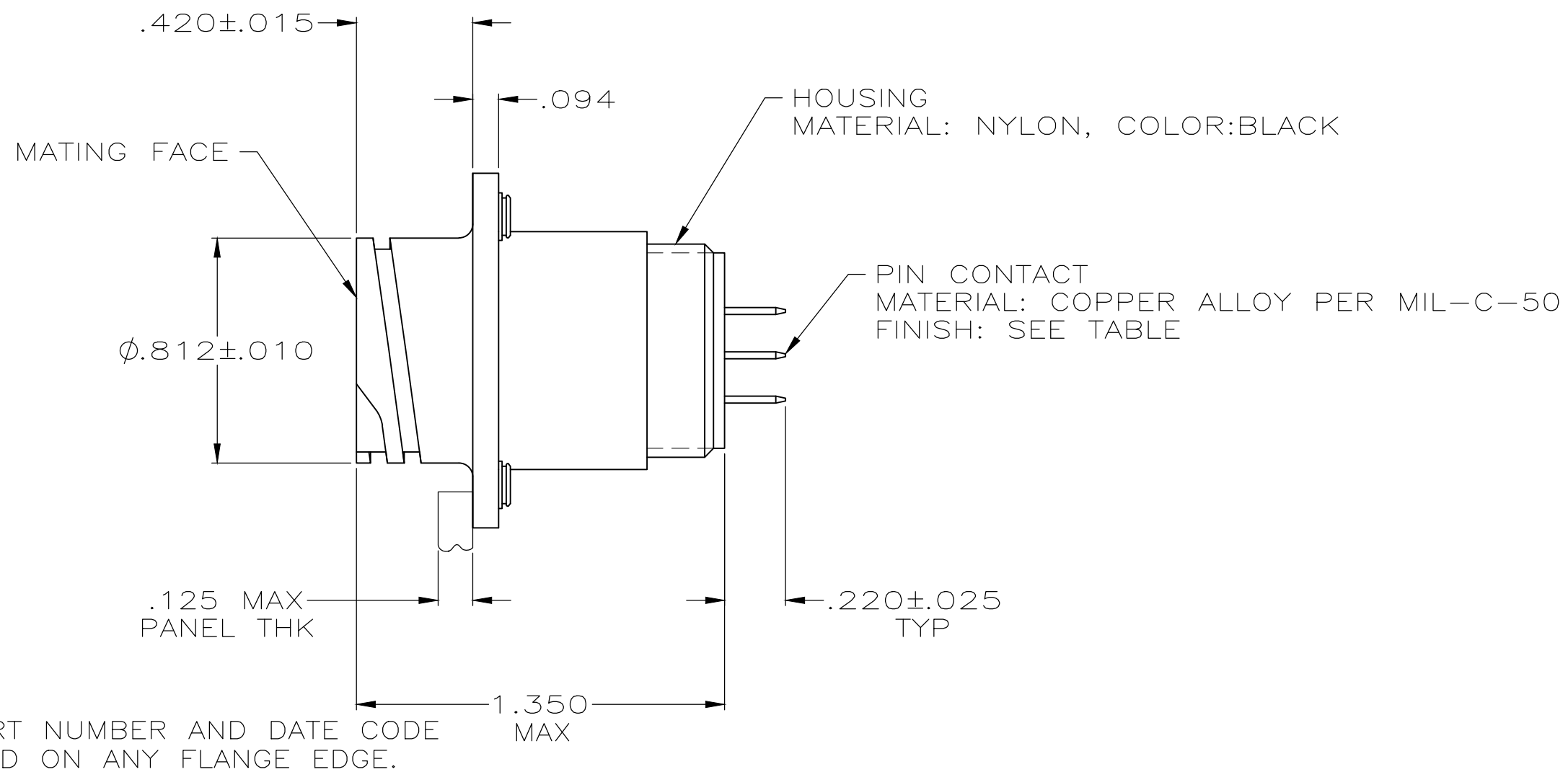
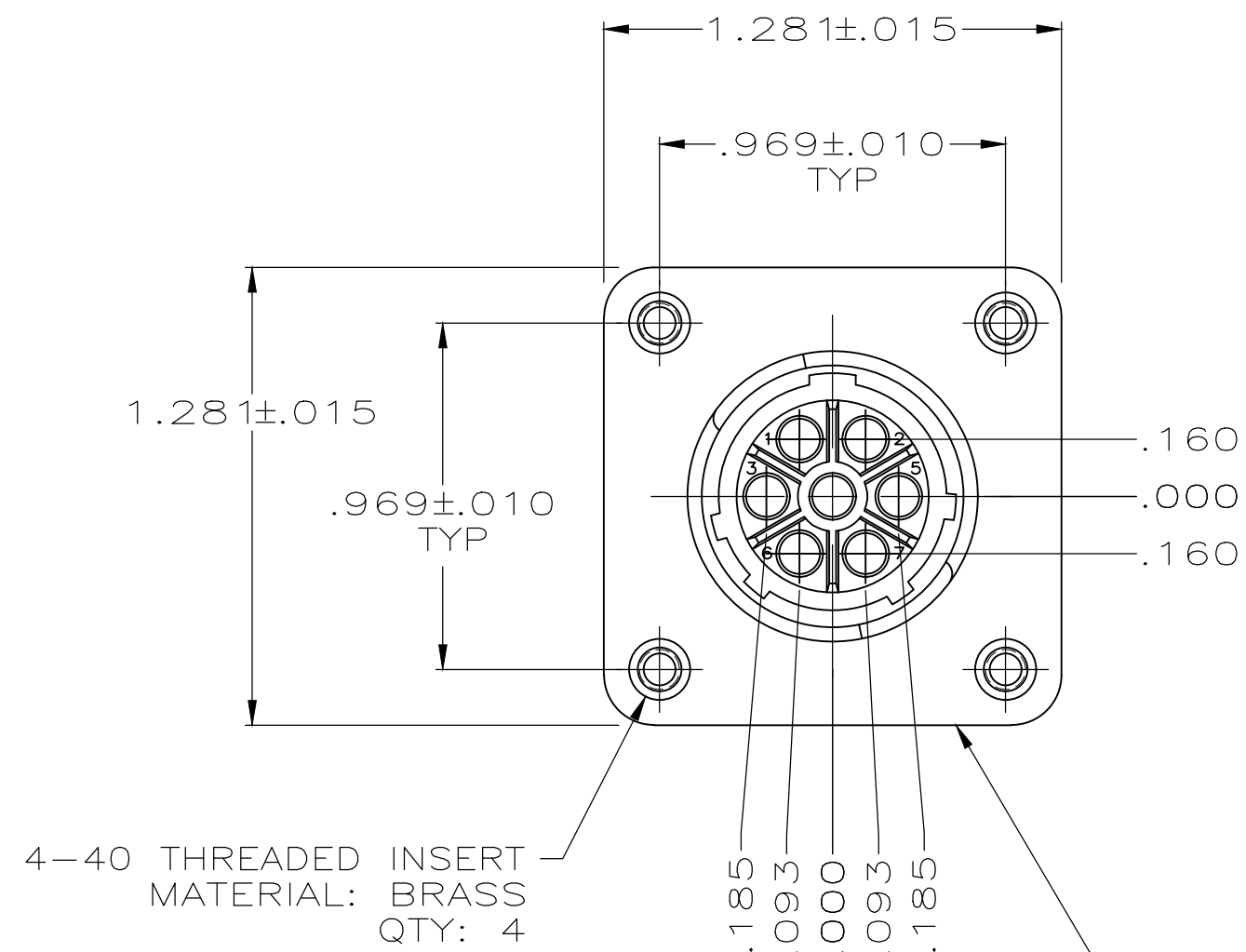


THIS DRAWING IS UNPUBLISHED. RELEASED FOR PUBLICATION  
 © COPYRIGHT - By - ALL RIGHTS RESERVED.

REVISIONS					
P	LTR	DESCRIPTION	DATE	DWN	APVD
A		REVISED PER 0G3B-0100-05	5/4/05	SS	HW
B		REVISED PER ECO-16-018356	22MAR2017	RS	MZ
C		REVISED PER ECO-18-007248	17MAY2018	KH	MZ



POST ARRANGEMENT ON REAR FACE  
 SCALE 6:1

NOTES:

- ① CONTACT BODY: GOLD PER MIL-GL-45204 OVER NICKEL PER QQ-N-290.  
 CONTACT POST: TIN-LEAD PER MIL-T-10727 OVER COPPER PER MIL-G-14550A.
- ② CONTACT BODY: GOLD PER MIL-GL-45204 OVER NICKEL PER QQ-N-290.  
 CONTACT POST: TIN PER MIL-T-10727 OVER COPPER PER MIL-G-14550A.

OBSOLETE	②	1-796433-1
	①	796433-1
CONTACT FINISH		PART NUMBER

THIS DRAWING IS A CONTROLLED DOCUMENT.		DWN S.WELDON 23FEB00		
DIMENSIONS: INCHES		CHK M.CHACKO 24FEB00		
TOLERANCES UNLESS OTHERWISE SPECIFIED:		APVD M.CHACKO 24FEB00	NAME	
0 PLC ± - 1 PLC ± - 2 PLC ± 0.13 [.005] 3 PLC ± - 4 PLC ± - ANGLES ± -		PRODUCT SPEC	RECEPTACLE ASSY, POSTED, STD SEX, SERIES 1, SIZE 13-7, CPC	
MATERIAL SEE CALLOUTS		FINISH -	WEIGHT -	RESTRICTED TO -
		CUSTOMER DRAWING	SIZE A2 CAGE CODE 00779 DRAWING NO. C=796433	SCALE 2:1 SHEET 1 OF 1 REV C

## X-ON Electronics

Largest Supplier of Electrical and Electronic Components

*Click to view similar products for [Standard Circular Connector](#) category:*

*Click to view products by [TE Connectivity](#) manufacturer:*

Other Similar products are found below :

[C015](#) [10F006](#) [001](#) [1](#) [5M2530B10P](#) [600259N006](#) [600273N007](#) [600432N009](#) [6280-2PG-519](#) [6280-3PG-311](#) [6280-3SG-311](#) [6280-7SG-3DC](#)  
[6280-7SG-522](#) [6282-2SG-321](#) [6282-5PG-311](#) [6282-6PG-519](#) [6282-8SG-311](#) [6283-11](#) [6283-15](#) [6290](#) [6382-2PG-311](#) [6382-2PG-3DC](#) [6382-](#)  
[2SG-321](#) [6382-2SG-3DC](#) [6382-4SG-516](#) [680-SMG](#) [681-PMG](#) [CXS3102A14S2P](#) [CXS3102A181S](#) [CXS3106A14S6S](#) [D38999/20FC8SA L/C](#)  
[MB12P-1](#) [7251-2PG-300](#) [7251-2SG-300](#) [7251-4PG-300](#) [7251-4SG-300](#) [7251-5PG-300](#) [7251-5SG-300](#) [7251-6SG-300](#) [7251-7PG-300](#) [7251-](#)  
[8PG-300](#) [7271-6SG-300](#) [7282-3PG-300-CH3](#) [7282-8PG-3ES](#) [73000005663](#) [75-190216-08S](#) [75-190218-10P](#) [75-474618-01S](#) [75-474620-07P](#)  
[799539-000](#) [MI8-SE](#) [80-190222-18P](#) [805-005-07NF11-19PC](#)