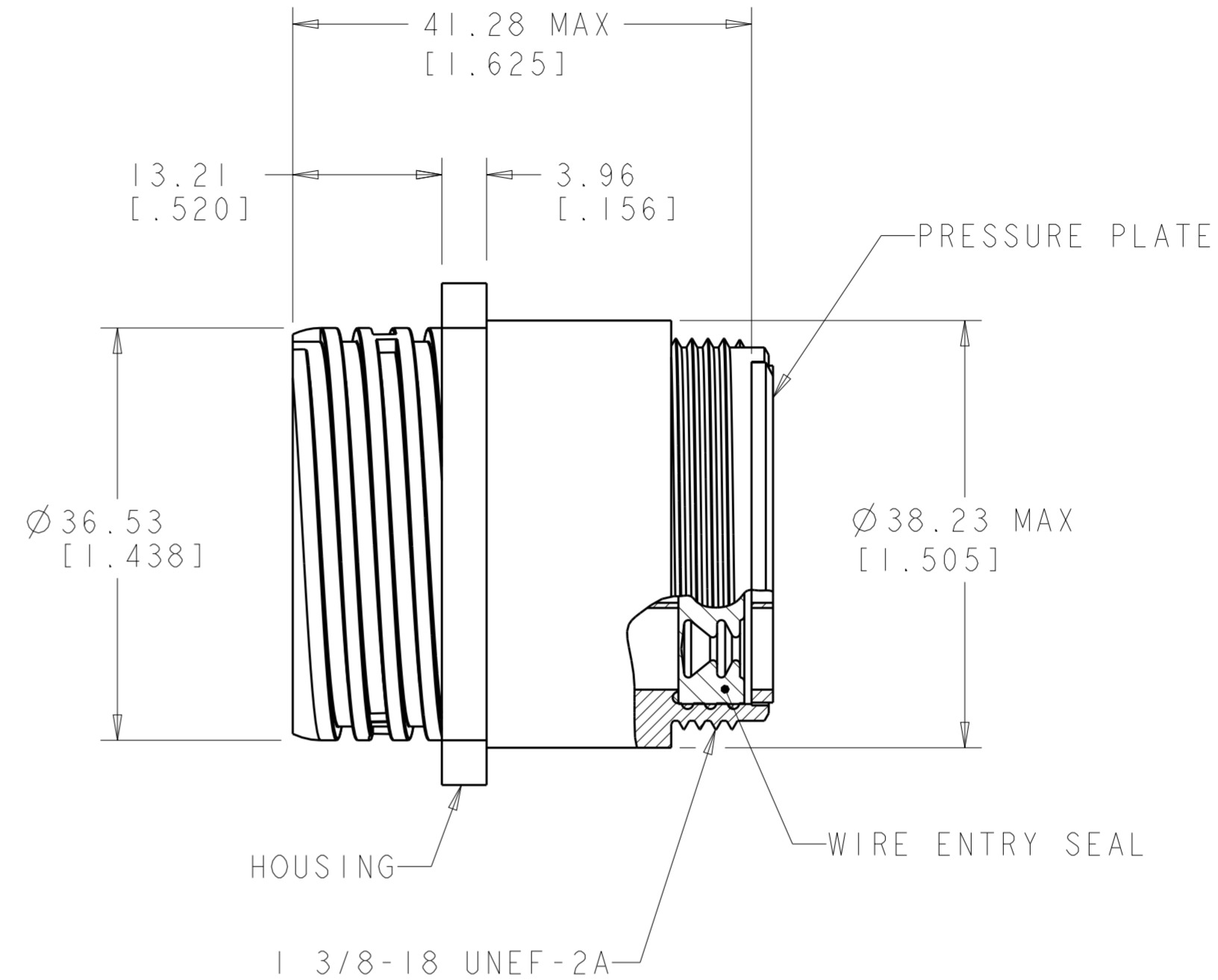
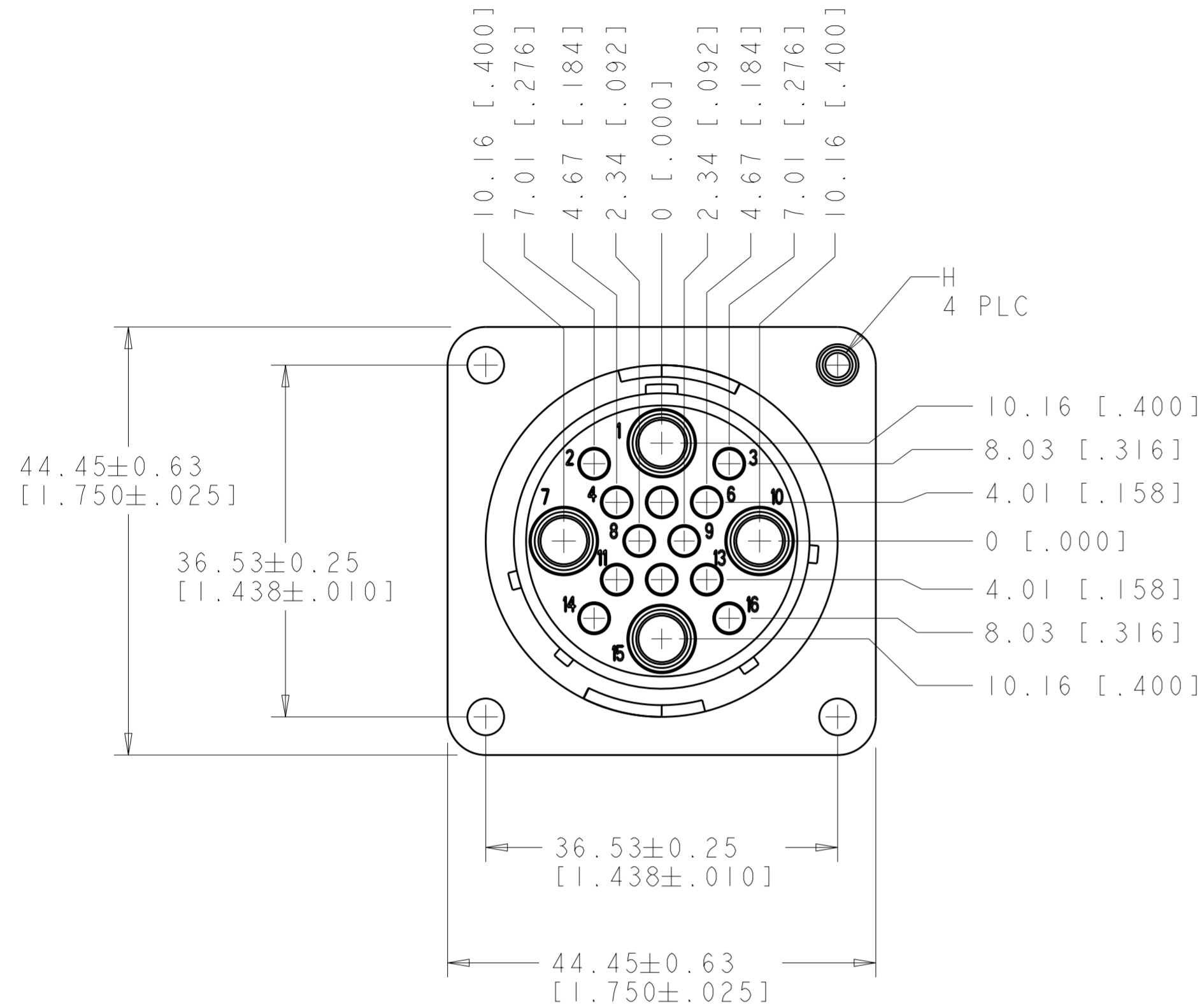
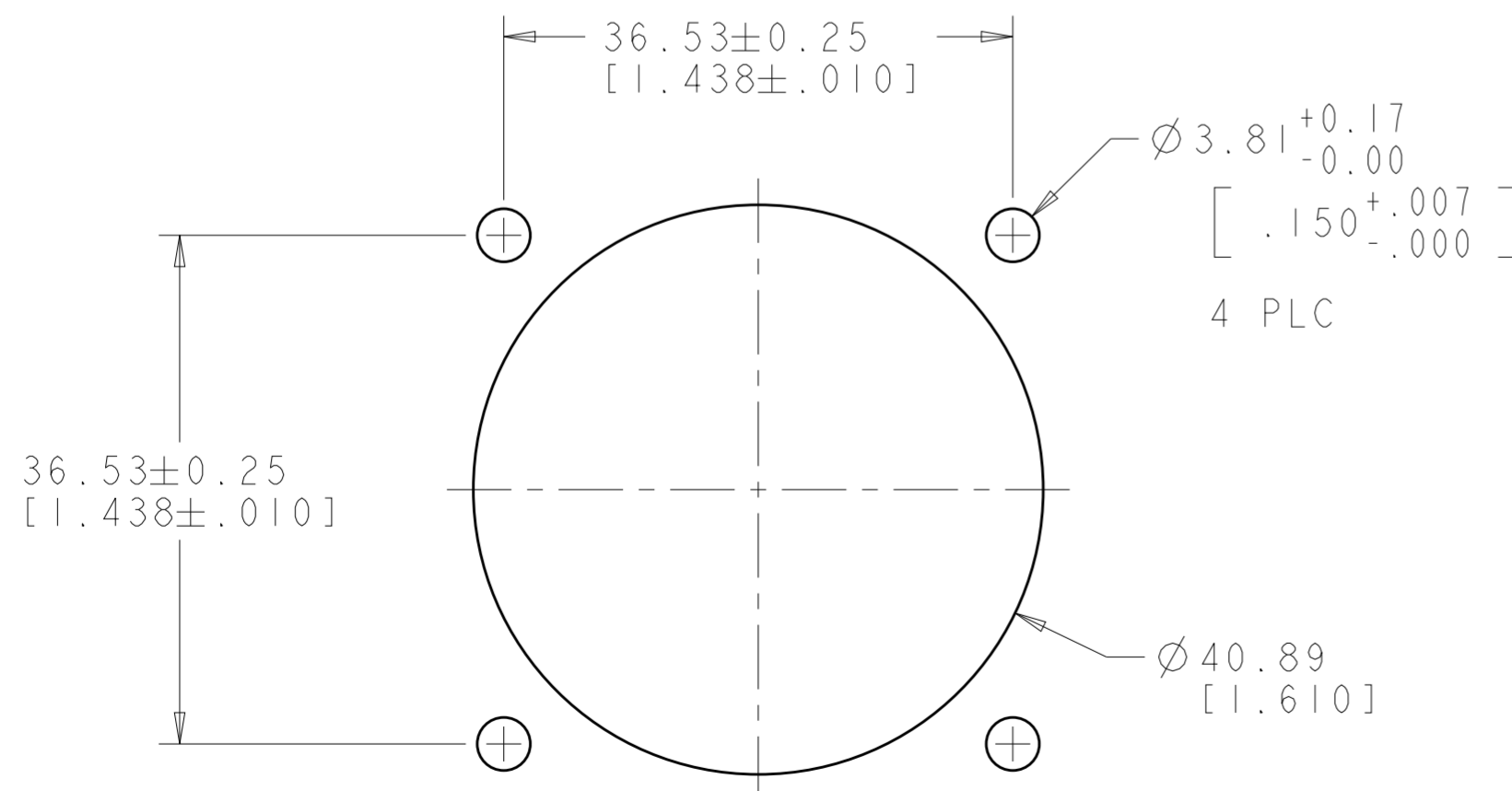


| REVISIONS | | | | |
|-----------|-----|---------------------------|-----------|-------|
| P | LTR | DESCRIPTION | DATE | APVD |
| B2 | | REVISED PER ECO-16-004800 | 08SEP2016 | NK MZ |
| C | | REVISED PER ECO-19-011232 | 08AUG2019 | RS MZ |



- 1 HOUSING & PRESSURE PLATE: NYLON, BLACK.
WIRE ENTRY SEAL: ELASTOMER, RED-IRON OXIDE.
PERIPHERAL SEAL: ELASTOMER, BLACK.
- 2. WILL ACCEPT (12) MULTIMATE PINS AND (4) POWER MALE CONTACTS.
- 3 OBSOLETE PARTS: OBSOLETE CIS STREAMLINING PER D.RENAUD/D.SINISI



RECOMMENDED PANEL CUTOUT

| | | | | |
|---|----------|-----------------|----------------------------------|-------------|
| 3 | OBSOLETE | POWER | 3.81 ± 0.07 [.150 ± .003] | 796466-3 |
| | OBSOLETE | STD | W/ THREADED INSERTS | 796466-2 |
| | | STD | 3.81 ± 0.07 [.150 ± .003] | 796466-1 |
| | | WIRE ENTRY SEAL | H | PART NUMBER |

| THIS DRAWING IS A CONTROLLED DOCUMENT. | | DWN | IOMAY00 | STE TE Connectivity | |
|--|--|------------------|----------|---|--|
| DIMENSIONS: mm [INCHES] | | CHK | IOMAY00 | NAME | |
| TOLERANCES UNLESS OTHERWISE SPECIFIED: | | APVD | IOMAY00 | RECEPTACLE ASSY, SERIES 6, STANDARD SEX, SIZE 23-16, CIRCULAR PLASTIC CONNECTOR | |
| 0 PLC ± | | PRODUCT SPEC | | SIZE | |
| 1 PLC ± | | APPLICATION SPEC | 108-1579 | CAGE CODE | |
| 2 PLC ±0.02 | | WEIGHT | - | DRAWING NO | |
| 3 PLC ± | | CUSTOMER DRAWING | | A200779 | |
| 4 PLC ± | | SCALE | 2:1 | SHEET | |
| ANGLES ± | | RESTRICTED TO | | OF | |
| FINISH ± | | REV | C | | |

X-ON Electronics

Largest Supplier of Electrical and Electronic Components

Click to view similar products for [Standard Circular Connector](#) category:

Click to view products by [TE Connectivity](#) manufacturer:

Other Similar products are found below :

[5M2530B10P](#) [600259N006](#) [600273N007](#) [6134-336-13149](#) [6134-337-11149](#) [6134-337-2390](#) [6134-341-17149](#) [6280-4SG-516](#) [6280-7SG-3DC](#)
[6290](#) [6291A](#) [66200A-10](#) [680-SMG](#) [681-PMG](#) [CXS3102A14S2P](#) [CXS3102A181S](#) [7271-6SG-300](#) [7282-3PG-300-CH3](#) [75-474618-01S](#) [75-](#)
[474618-04P](#) [75-474618-04S](#) [799539-000](#) [MI8-SE](#) [805-005-07NF11-19PC](#) [805-005-07NF15-7PA](#) [8280-4PG-516](#) [8280-7PG-519](#) [8282-5PG-](#)
[519](#) [836783-1](#) [MP-4102-25P-C](#) [862256-1](#) [864019-2](#) [866857-1](#) [867865-1](#) [PT01SP-14-18P](#) [PT08P-14-5S](#) [120-1833-000](#)
[QCM019PC2DC012B](#) [1-2069279-1](#) [121583-0217](#) [121667-0020](#) [129591AU](#) [1000B BULK](#) [RD10A16-19-P6CS051/1](#) [RD10A20-31-](#)
[P8CS051/1](#) [RD16A14-12-S6CS051/2](#) [1301240290](#) [1301240347](#) [1301860202](#) [1301240268](#) [1301240275](#)