

THIS DRAWING IS UNPUBLISHED. RELEASED FOR PUBLICATION
 © COPYRIGHT - By - ALL RIGHTS RESERVED.

REVISIONS					
P	LTR	DESCRIPTION	DATE	OWN	APPD
G		REVISED PER ECO-16-004940	05AUG2016	NK	MZ
H		REVISED PER ECO-17-009310	28JUN2017	RS	MZ
J		REVISED PER ECO-18-000439	19JAN2018	RS	MZ

- ① 0.76um[.000030] MIN GOLD IN LOCALIZED GOLD PLATE AREA, 3.81um [.000150] MIN TIN-LEAD IN LOCALIZED TIN PLATE AREA, BOTH OVER 1.27um[.000050] MIN NICKEL.
- ② POSITIONS 1 THRU 11 AND 17 THRU 25 ARE LOADED WITH GROUND TYPE CONTACTS, POSITIONS 12 THRU 16 ARE LOADED WITH POWER TYPE CONTACTS.
- ③ POSITIONS 1 THRU 6 AND 17 THRU 25 ARE LOADED WITH GROUND TYPE CONTACTS, POSITIONS 7 THRU 16 ARE LOADED WITH POWER TYPE CONTACTS.
- ④ 2, 6, 10 TO 16, 20, 21 & 24 ARE LOADED WITH GROUND TYPE CONTACTS.
- ⑤ 5 TO 9, 11, 13, 14, 15, 20 & 25 ARE LOADED WITH POWER TYPE CONTACTS, POSITION 10 IS LOADED WITH GROUND TYPE CONTACTS.
- ⑥ 1 THRU 13, 15 THRU 17, 20, 21, 23 & 25 ARE LOADED WITH POWER TYPE CONTACTS, POSITIONS 14 & 24 ARE LOADED WITH GROUND TYPE CONTACTS.
- ⑦ 2.54um[.000100] MIN TIN-LEAD OVER 1.27um[.000050] MIN NICKEL.
- ⑧ CONTACTS: PHOSPHOR BRONZE, HOUSING; POLYSULFONE, BLACK.
- ⑨ 0.76um[.000030] MIN GOLD IN LOCALIZED GOLD PLATE AREA, 3.81um [.000150] MIN TIN IN LOCALIZED TIN PLATE AREA, BOTH OVER 1.27um [.000050] MIN NICKEL.
- ⑩ 2.54um[.000100] MIN TIN OVER 1.27um[.000050] MIN NICKEL.
- ⑪ OBSOLETE PARTS: OBSOLETE CIS STREAMLINING PER D.RENAUD/D.SINISI

⑪	⑨	⑥	22	1-796590-6
OBSOLETE	⑨	⑤	12	1-796590-5
	⑨	④	12	1-796590-4
	⑩	②	25	1-796590-3
	⑨	FULL	25	1-796590-2
OBSOLETE	⑩	FULL	25	1-796590-1
	⑨	③	25	1-796590-0
OBSOLETE	①	②	25	796590-9
OBSOLETE	①	⑥	22	796590-8
⑪	①	⑤	12	796590-7
	①	④	12	796590-6
OBSOLETE	①	②	25	796590-5
OBSOLETE	①	FULL	25	796590-4
⑪	①	⑦	25	796590-3
	①	③	25	796590-2
OBSOLETE	①	②	25	796590-1
	FINISH	LOCATION	QTY	PART NUMBER

THIS DRAWING IS A CONTROLLED DOCUMENT. DIM S. WELDON 26SEP00
 CHK: K. DOWHOWER 26SEP00
 APD: K. DOWHOWER 26SEP00

TE Connectivity Ltd.

NAME: HEADER ASSEMBLY, 25 POSN, ACTION PIN, METRIMATE

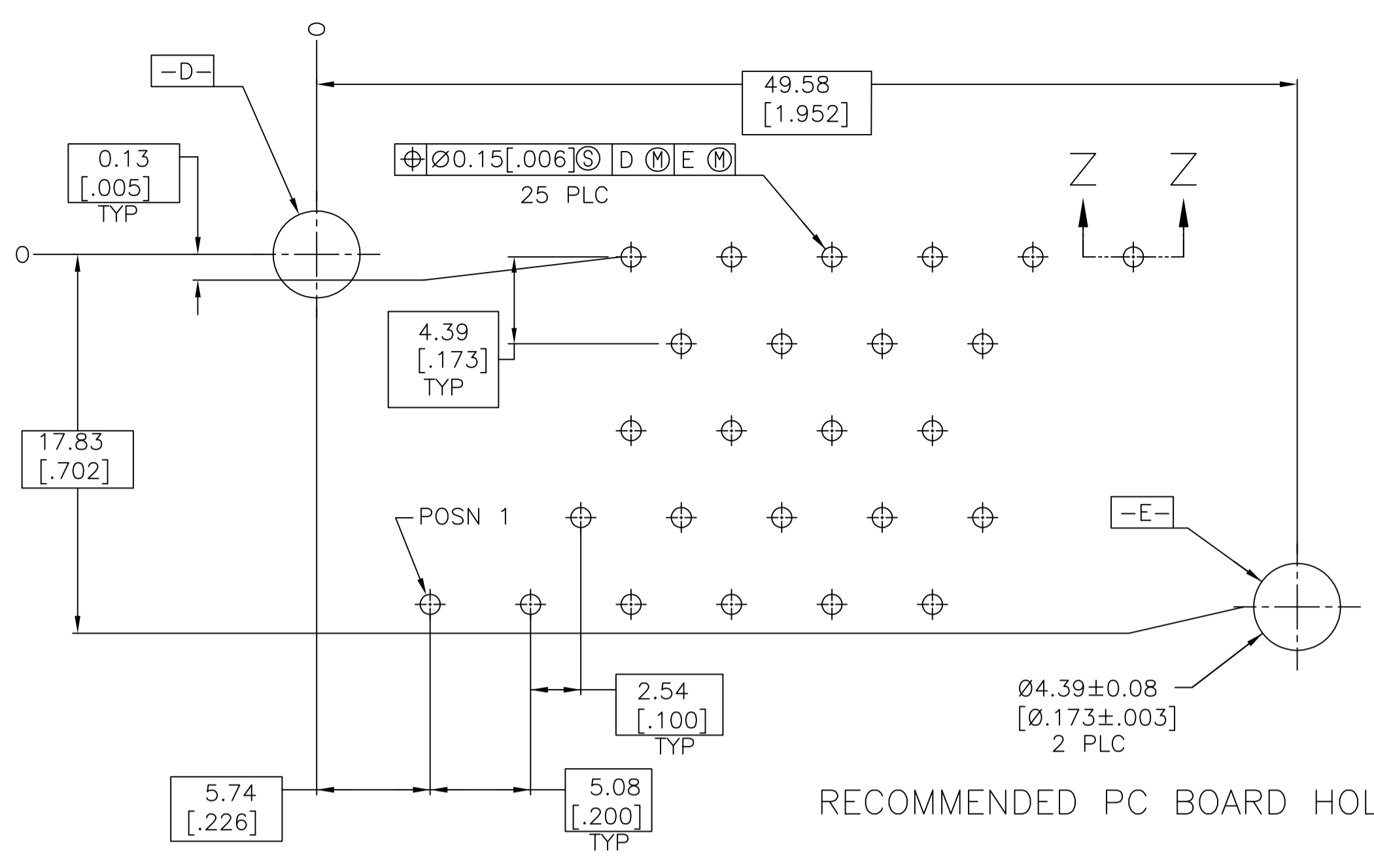
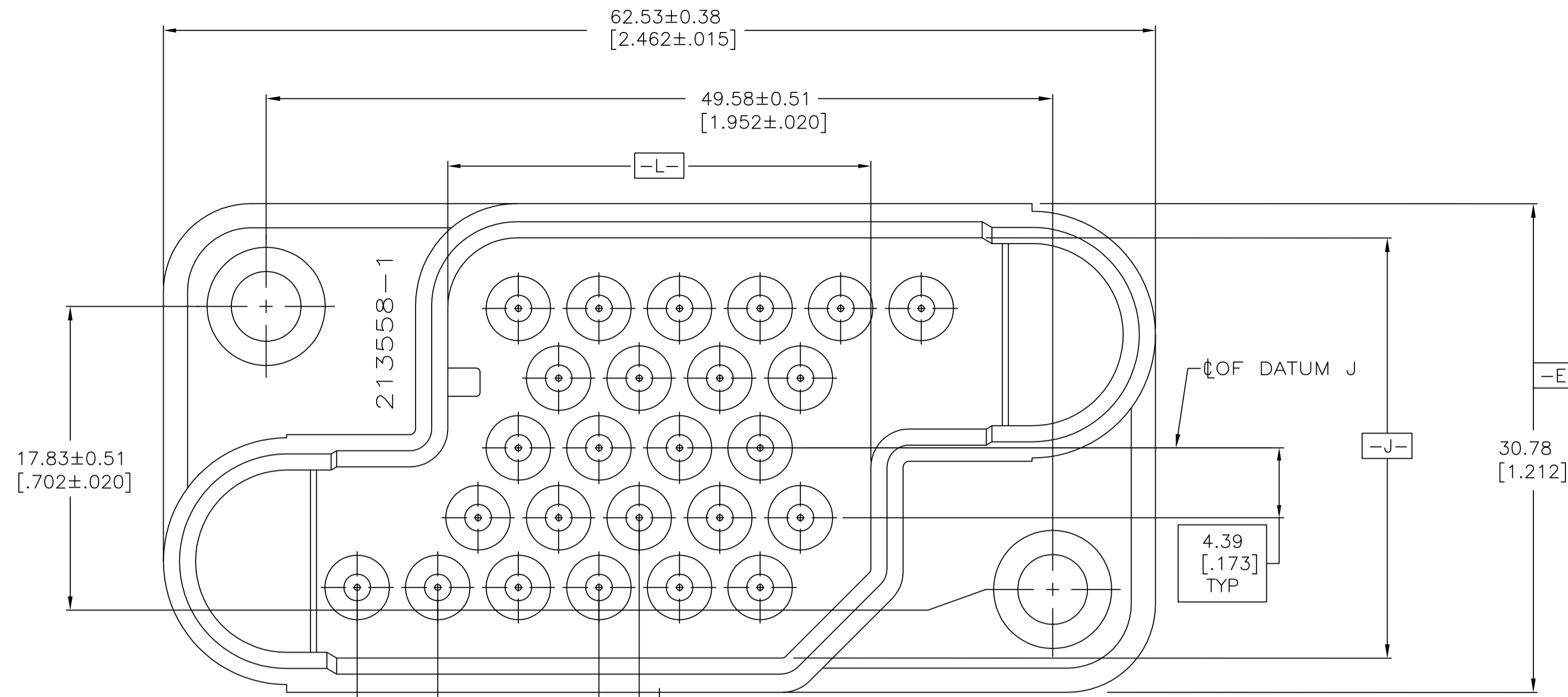
PRODUCT SPEC: APPLICATION SPEC

SIZE: A1 CAGE CODE: 00779 DRAWING NO: 796590 RESTRICTED TO: -

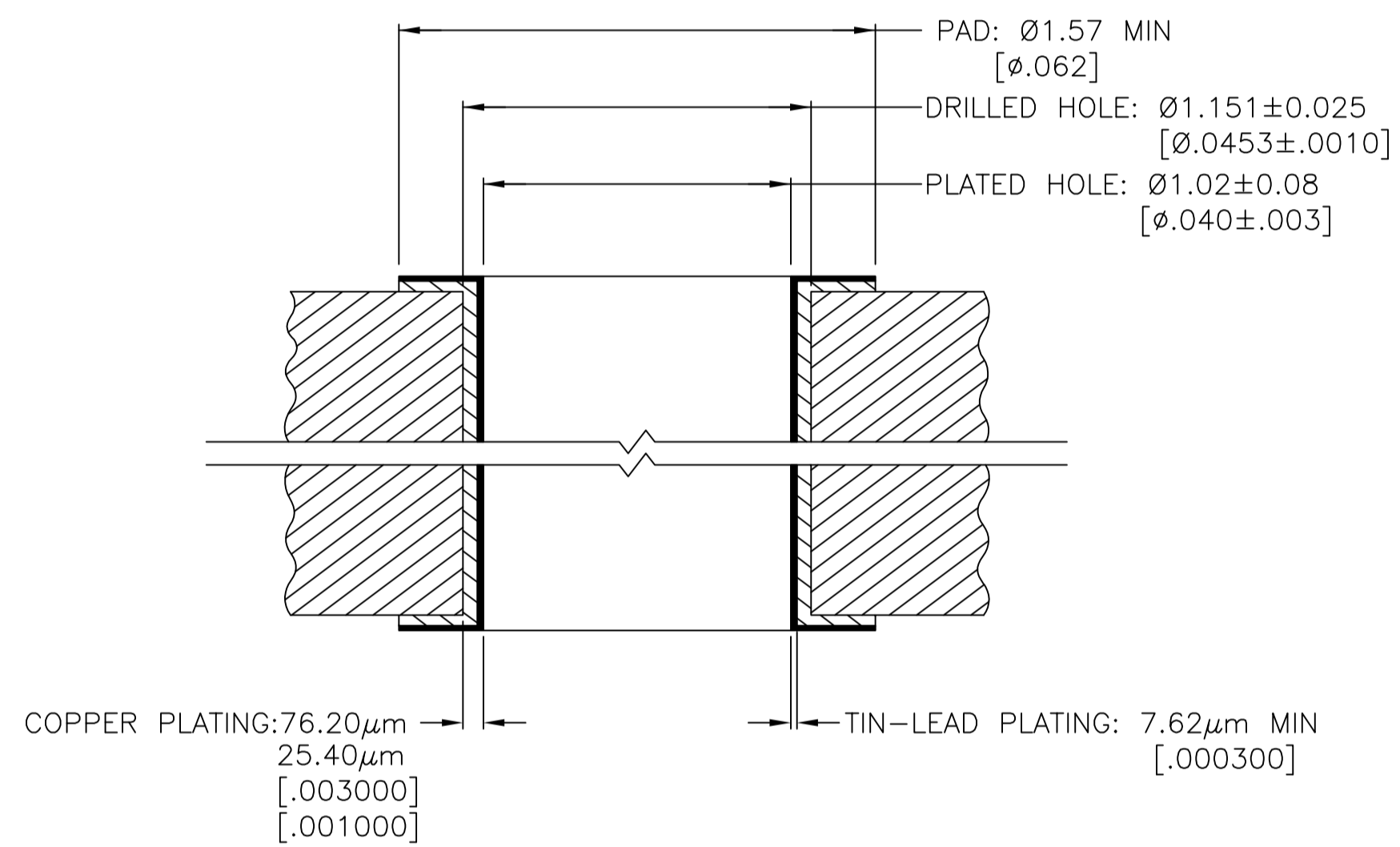
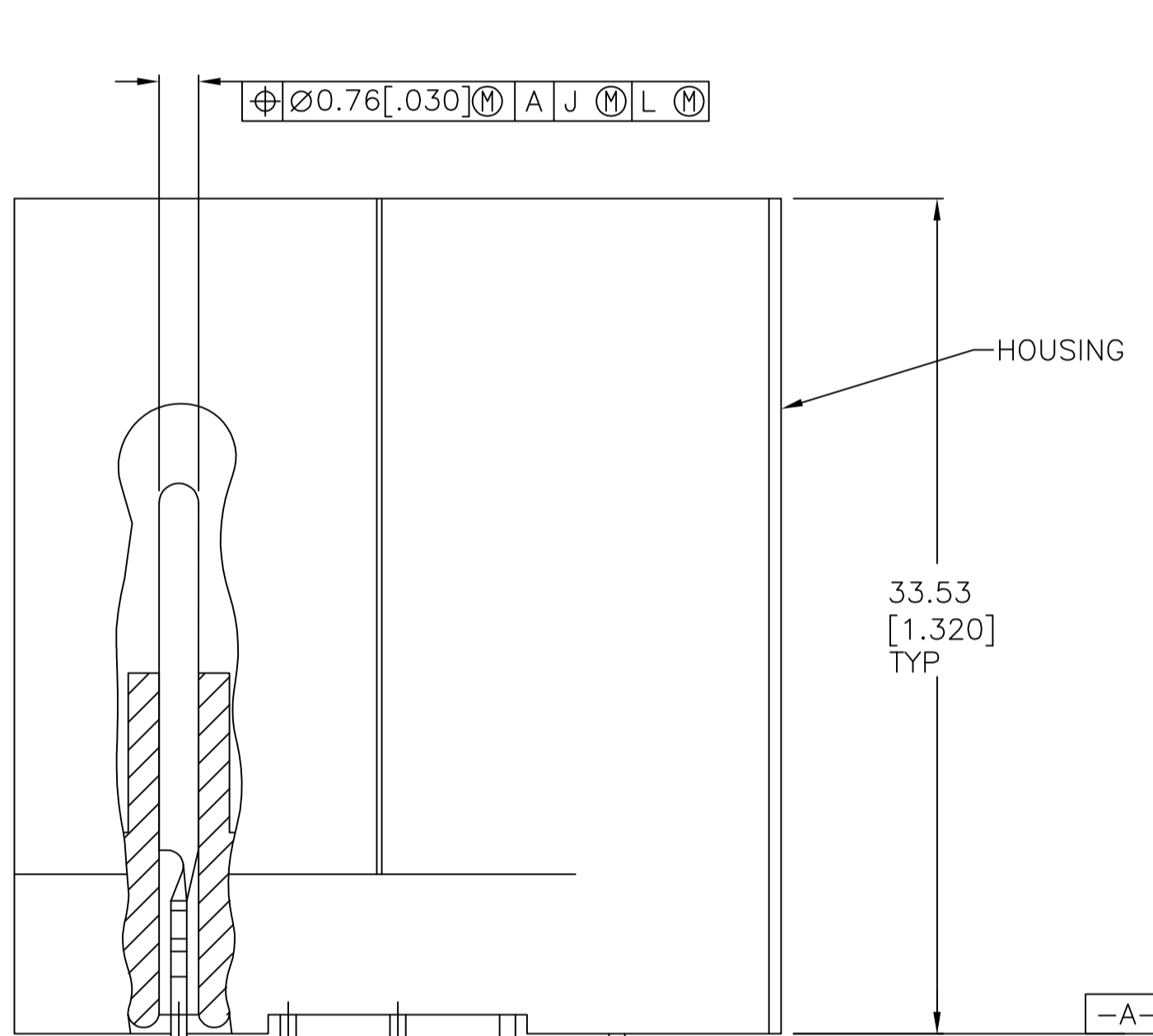
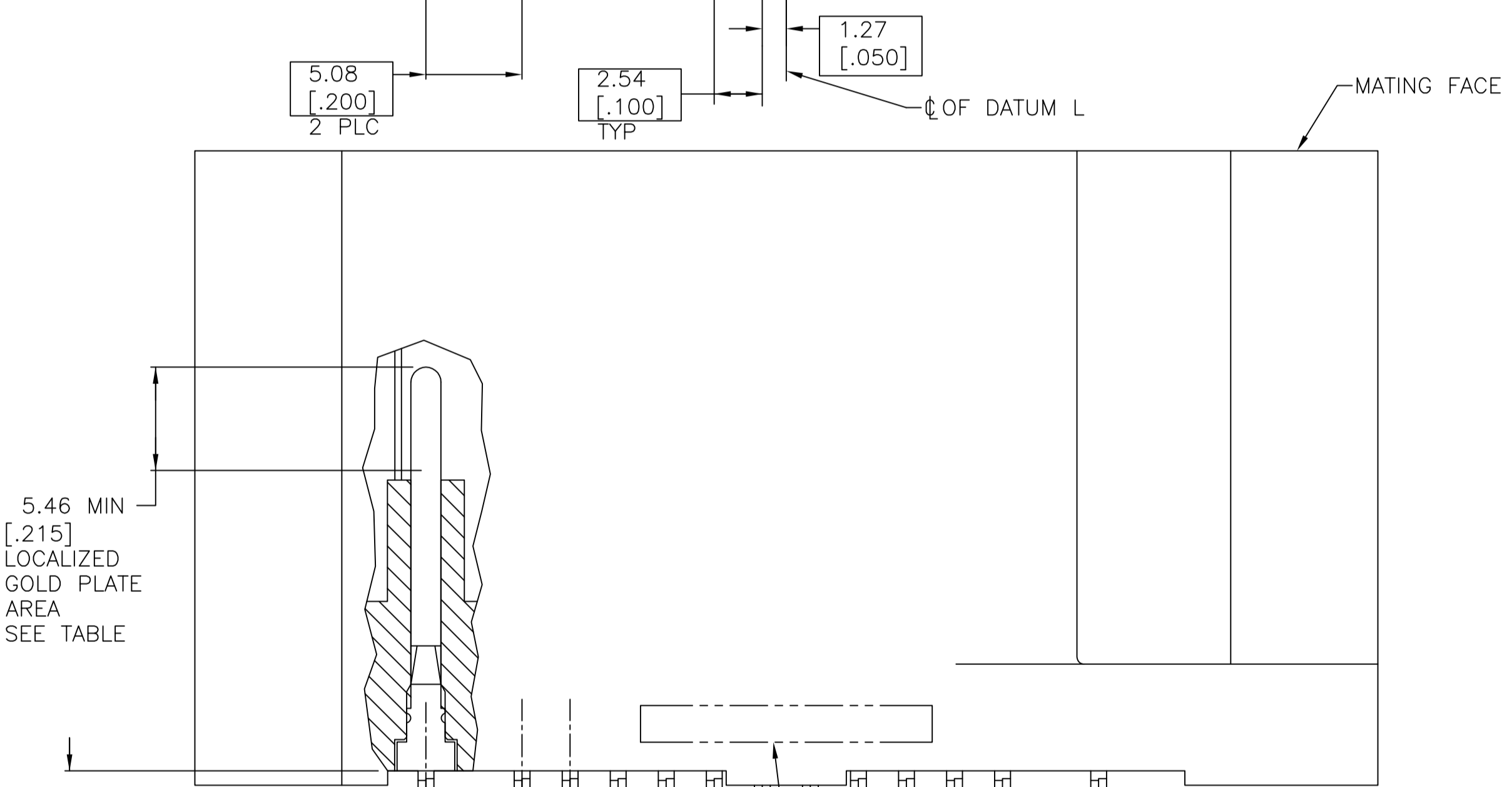
WEIGHT: -

CUSTOMER DRAWING SCALE: 4:1 SHEET: 1 OF 2 REV: J

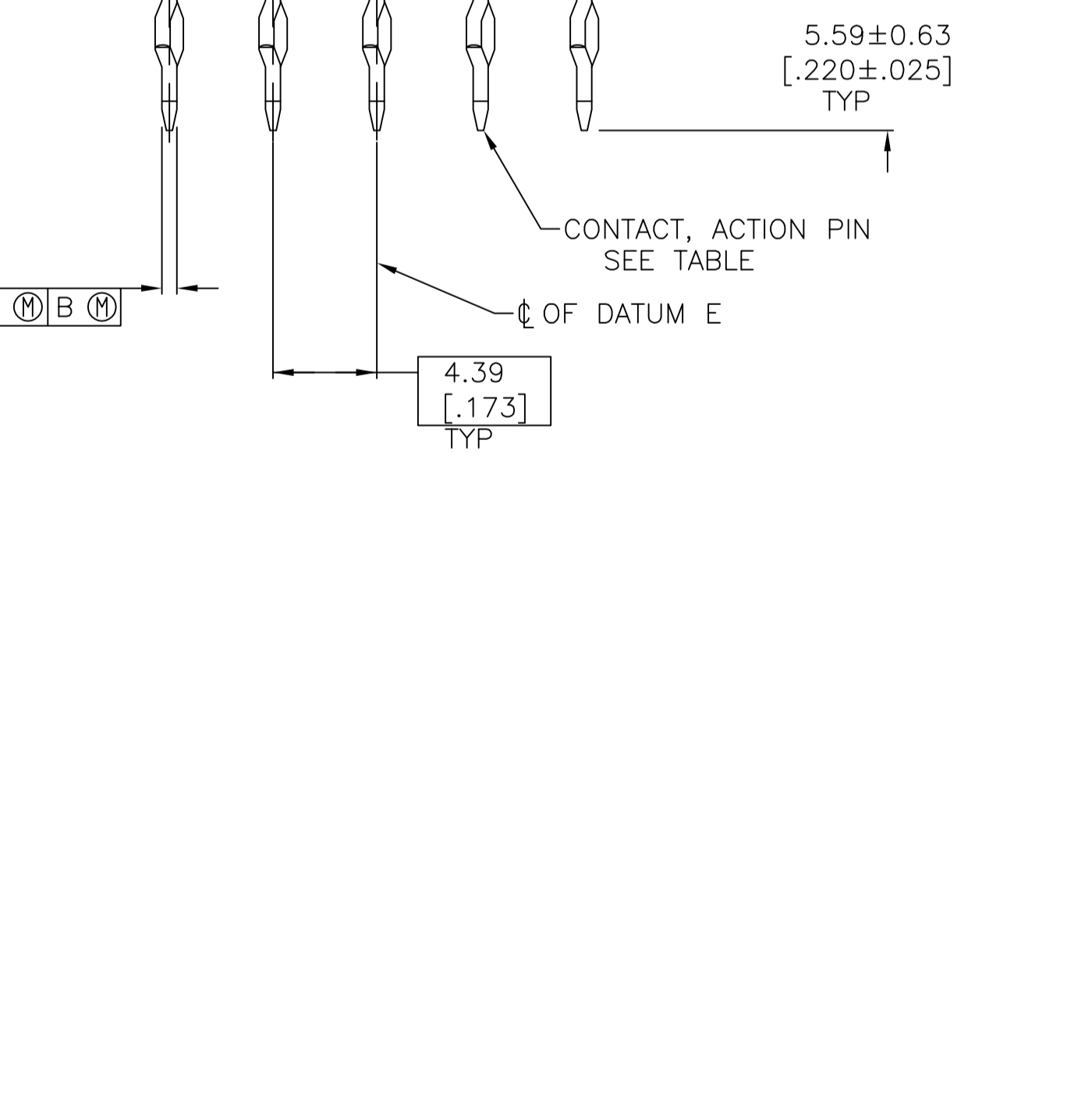
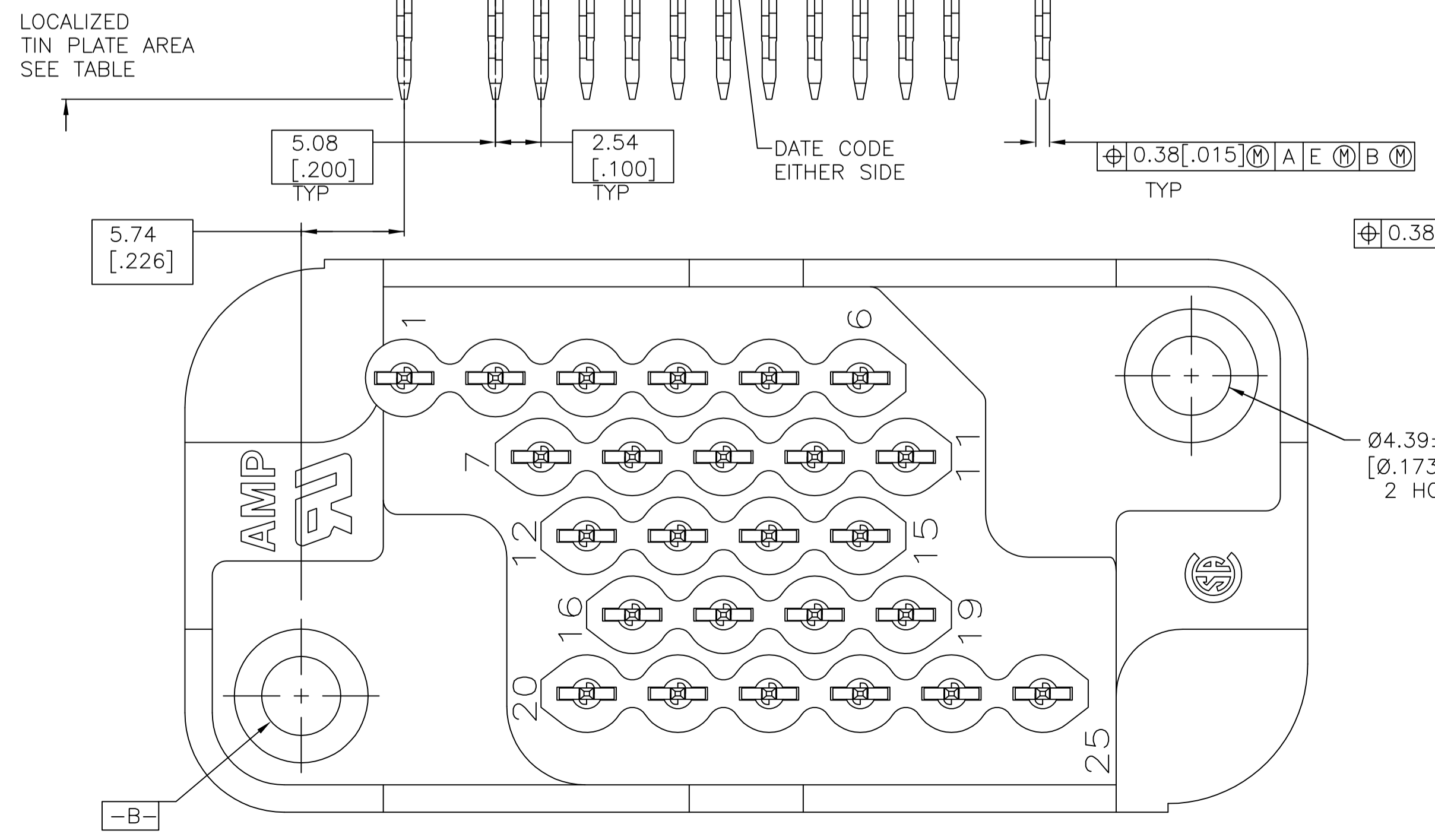
REVISIONS				
P	LTR	DESCRIPTION	DATE	OWN
-	-	SEE SHEET 1	-	-



RECOMMENDED PC BOARD HOLE PATTERN



SECTION Z-Z
COPPER HARDNESS: (KNOOP) 150 MAX
SCALE 50:1
25 PLC



Ø4.39±0.08 [Ø.173±.003]
2 HOLES

THIS DRAWING IS A CONTROLLED DOCUMENT.		DWN S. WELDON	26SEP00	 TE Connectivity Ltd.
DIMENSIONS: mm [INCHES]		CHK K. DOWHOWER	26SEP00	
TOLERANCES UNLESS OTHERWISE SPECIFIED:		APPD K. DOWHOWER	26SEP00	NAME HEADER ASSEMBLY, 25 POSN, ACTION PIN, METRIMATE
0 PLC	± -	PRODUCT SPEC		APPLICATION SPEC
1 PLC	± -			
2 PLC	± 0.25 [010]			
3 PLC	± -			
4 PLC	± -			
ANGLES	± -			
MATERIAL		SIZE	CAGE CODE	DRAWING NO
		WEIGHT	A1	00779
			©=796590	RESTRICTED TO
		CUSTOMER DRAWING	SCALE 4:1	SHEET 2 OF 2

X-ON Electronics

Largest Supplier of Electrical and Electronic Components

Click to view similar products for [Headers & Wire Housings](#) category:

Click to view products by [TE Connectivity](#) manufacturer:

Other Similar products are found below :

[892-18-020-10-001101](#) [58102-G61-06LF](#) [582553-1](#) [0009485154](#) [009176003701906](#) [0050291907](#) [LY20-4P-DT1-P1E-BR](#) [02.125.8002.8](#)
[609-3404](#) [61062-3](#) [61082-181009](#) [622-3653LF](#) [63453-116](#) [636-1030](#) [636-1427](#) [636-3427](#) [636-4007](#) [641938-9](#) [641991-4](#) [644827-2](#) [65817-](#)
[010LF](#) [65817-015LF](#) [65863-015LF](#) [66207-023LF](#) [67095-007LF](#) [67601157](#) [68645-018](#) [68648-049](#) [70.362.1628.0](#) [70-4210](#) [70-4226B](#) [70-](#)
[4853B](#) [707-5020](#) [707-5028](#) [71.350.2428.0](#) [71918-208LF](#) [71961-016LF](#) [733-134](#) [733-162](#) [754199-000](#) [760-3052](#) [787-8014-00](#) [79531-3000](#)
[FCN-360C032-B](#) [FCN-367T-T012/H](#) [FCN-723D010/2](#) [80.063.4001.1](#) [800-90-001-10-001000](#) [800-90-010-10-002000](#) [801-43-002-10-013000](#)