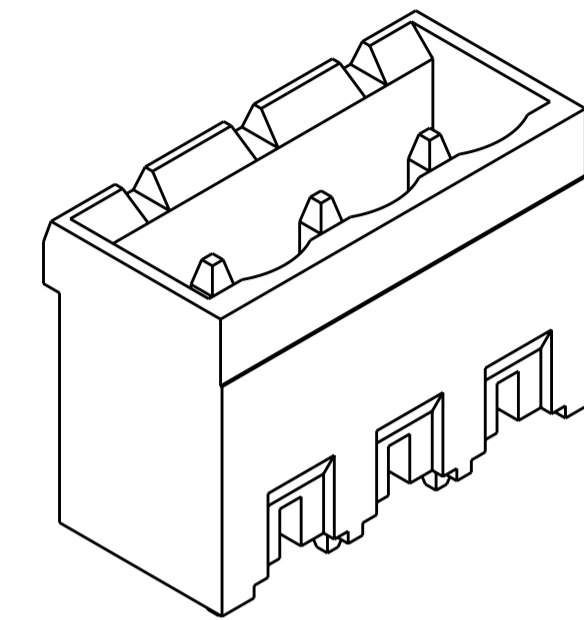
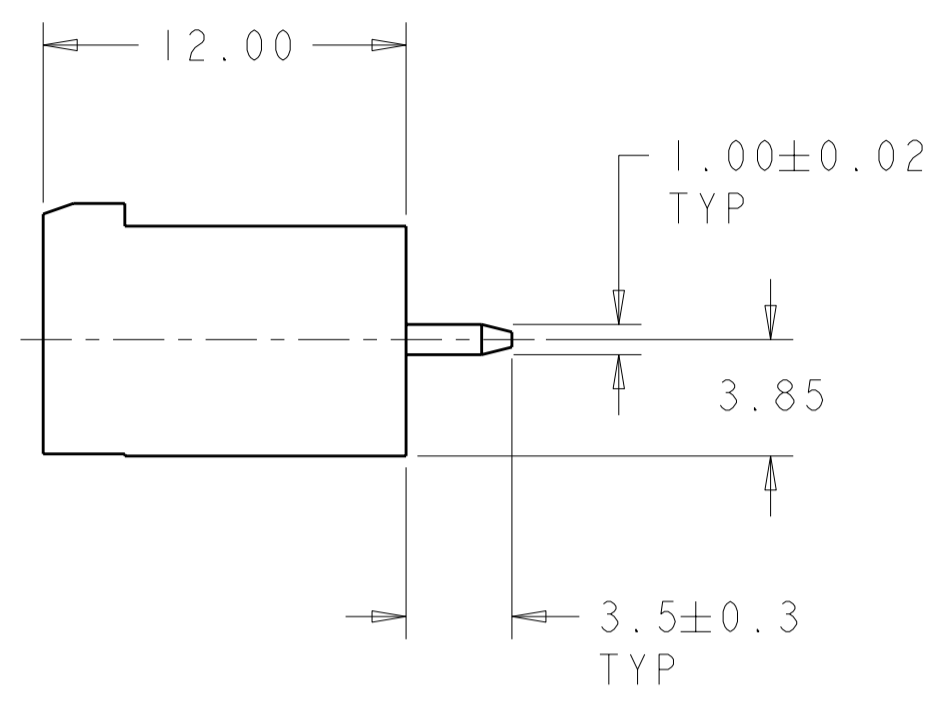
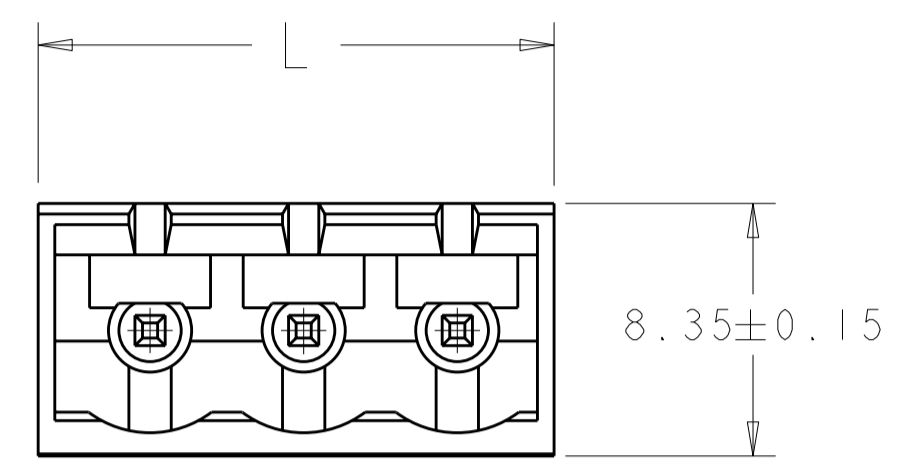


THIS DRAWING IS UNPUBLISHED. RELEASED FOR PUBLICATION 20  
 © COPYRIGHT 20 ALL RIGHTS RESERVED.

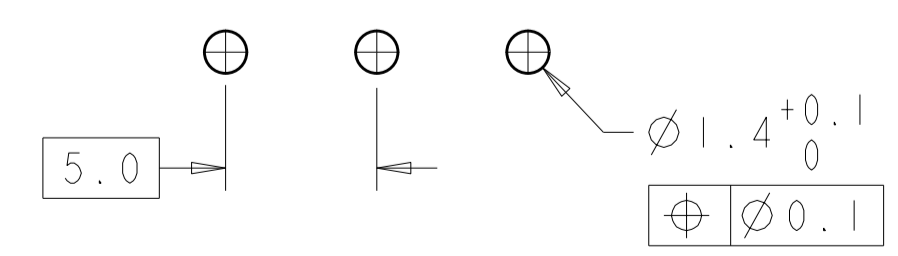
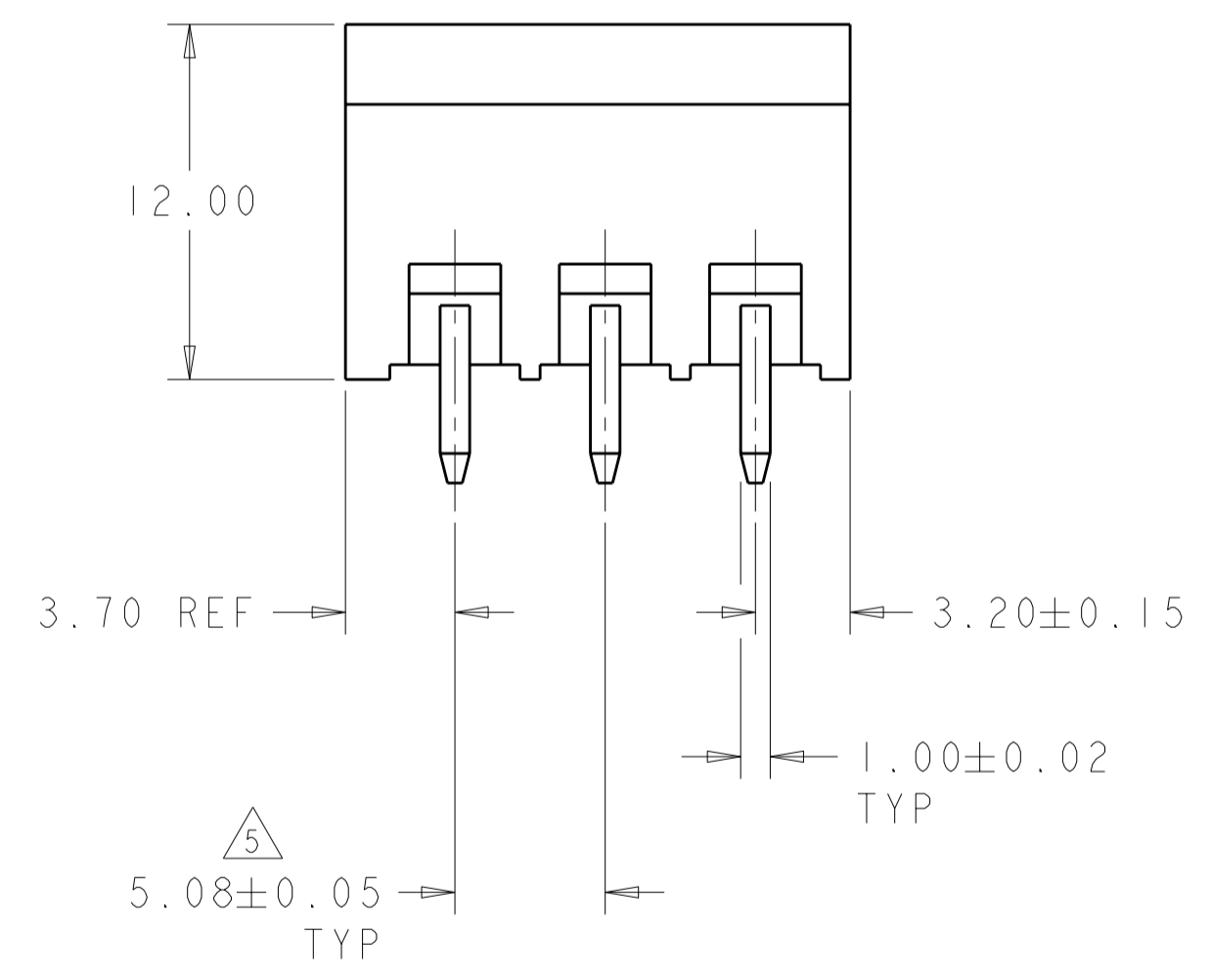
LOC		DIST		REVISIONS			
P	LTR	DESCRIPTION	DATE	DWN	APVD		
FT	0	BI	REVISED PER ECO-12-007711	26APR2012	KH MS		



796637-3 AS SHOWN

CONTACT PLATING	DIM L	NO OF POSN	PART NUMBER
TIN	52.62	10	3-796637-1
TIN	42.46	8	3-796637-0
TIN	37.38	7	2-796637-9
TIN	32.30	6	2-796637-8
TIN	22.14	4	2-796637-7
TIN	47.54	9	2-796637-6
TIN	128.82	25	2-796637-5
TIN	123.74	24	2-796637-4
TIN	118.66	23	2-796637-3
TIN	113.58	22	2-796637-2
TIN	108.50	21	2-796637-1
TIN	103.42	20	2-796637-0
TIN	98.34	19	1-796637-9
TIN	93.26	18	1-796637-8
TIN	88.18	17	1-796637-7
TIN	83.10	16	1-796637-6
TIN	78.02	15	1-796637-5
TIN	72.94	14	1-796637-4
TIN	67.86	13	1-796637-3
TIN	62.78	12	1-796637-2
TIN	57.70	11	1-796637-1
TIN	52.62	10	1-796637-0
TIN	47.54	9	796637-9
TIN	42.46	8	796637-8
TIN	37.38	7	796637-7
TIN	32.30	6	796637-6
TIN	27.22	5	796637-5
TIN	22.14	4	796637-4
TIN	17.06	3	796637-3
TIN	11.98	2	796637-2

- 1. MATERIALS AND FINISH:  
 HOUSING: PA 6-6, UL 94-V0, COLOR: BLACK.  
 TERMINAL: COPPER ALLOY, FINISH: SEE TABLE.
  - 2. SUITABLE FOR 1,6-2, 4mm PC BOARD THICKNESS.
  - 3. RECOGNIZED UNDER THE COMPONENT PROGRAM OF UNDERWRITERS LABORATORIES INC. FILE N° E60677.
  - 4. IMQ CERTIFICATE WITH SURVEILLANCE IN CONFORMITY WITH IEC 998-1/998-2-1.
5. NOT CUMULATIVE TOLERANCE



RECOMMENDED PC BOARD LAYOUT

THIS DRAWING IS A CONTROLLED DOCUMENT.

DIMENSIONS: mm	TOLERANCES UNLESS OTHERWISE SPECIFIED:	DWN: S. WELDON 19OCT2000	TE Connectivity NAME: TERMI-BLOK HEADER ASSEMBLY, 180 DEGREE, CLOSED ENDS, 5.08mm PITCH
	0 PLC ±	CHK: D. BIEVENOUR 19OCT2000	
	1 PLC ±0.2	APVD: D. BIEVENOUR 19OCT2000	
	2 PLC ±	PRODUCT SPEC	
	3 PLC ±	APPLICATION SPEC	SIZE: A2
	4 PLC ±	WEIGHT: -	CAGE CODE: 00779
MATERIAL	ANGLES ±	CUSTOMER DRAWING	DRAWING NO: 796637
	FINISH	SCALE: 4:1	SHEET 1 OF 1

## X-ON Electronics

Largest Supplier of Electrical and Electronic Components

*Click to view similar products for [Pluggable Terminal Blocks](#) category:*

*Click to view products by [TE Connectivity](#) manufacturer:*

Other Similar products are found below :

[57.510.0053](#) [MC 1.5/ 6-ST-3.5 GY AU](#) [ET02015000J0G](#) [734-104](#) [734-302](#) [8-141-P](#) [8426620000](#) [860505](#) [860516](#) [860810](#) [GBPACX-12](#)  
[PV05-5,08-K](#) [PVP02-5,00](#) [PVP03-3,50](#) [PVP04-3,50](#) [PVS02-5,00](#) [1-1986160-3](#) [1377680000](#) [1531000000](#) [1546228-5](#) [ELFH16150](#)  
[ELFP03110](#) [ELFP10210](#) [ELFT06250](#) [ELVP03100](#) [1700101](#) [1700410](#) [1700425](#) [1702246](#) [1705229](#) [1710175](#) [1714537](#) [1717806](#) [1719600](#)  
[1728941](#) [1734692](#) [1734795](#) [1736036](#) [1740194](#) [1740628](#) [1740990](#) [1746952](#) [1750207](#) [1752441](#) [1752865](#) [1754115](#) [1754144](#) [1756913](#)  
[1760051](#) [1760336](#)