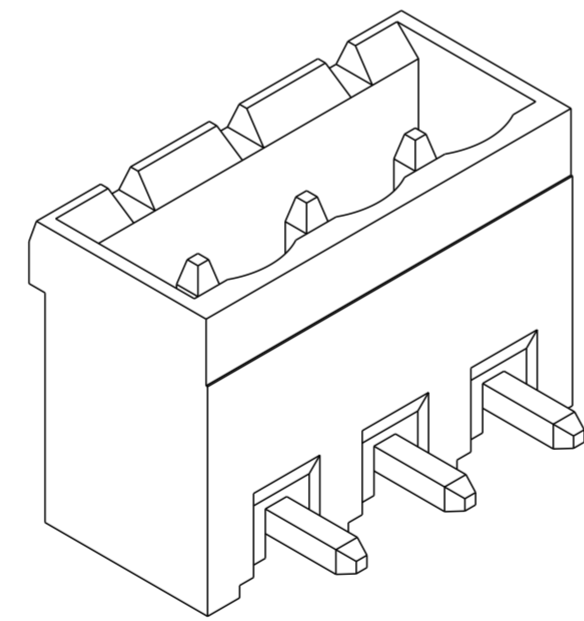
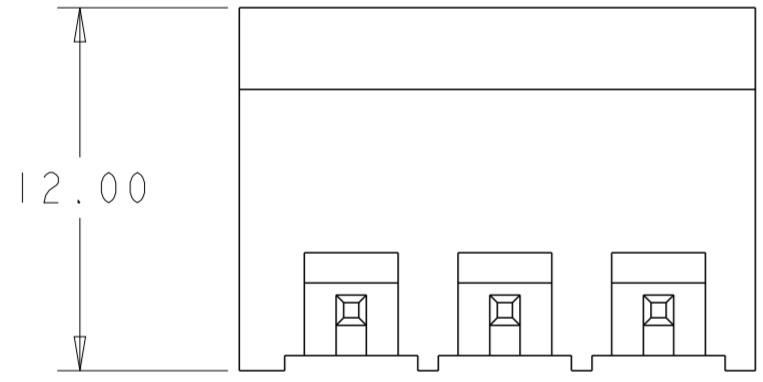
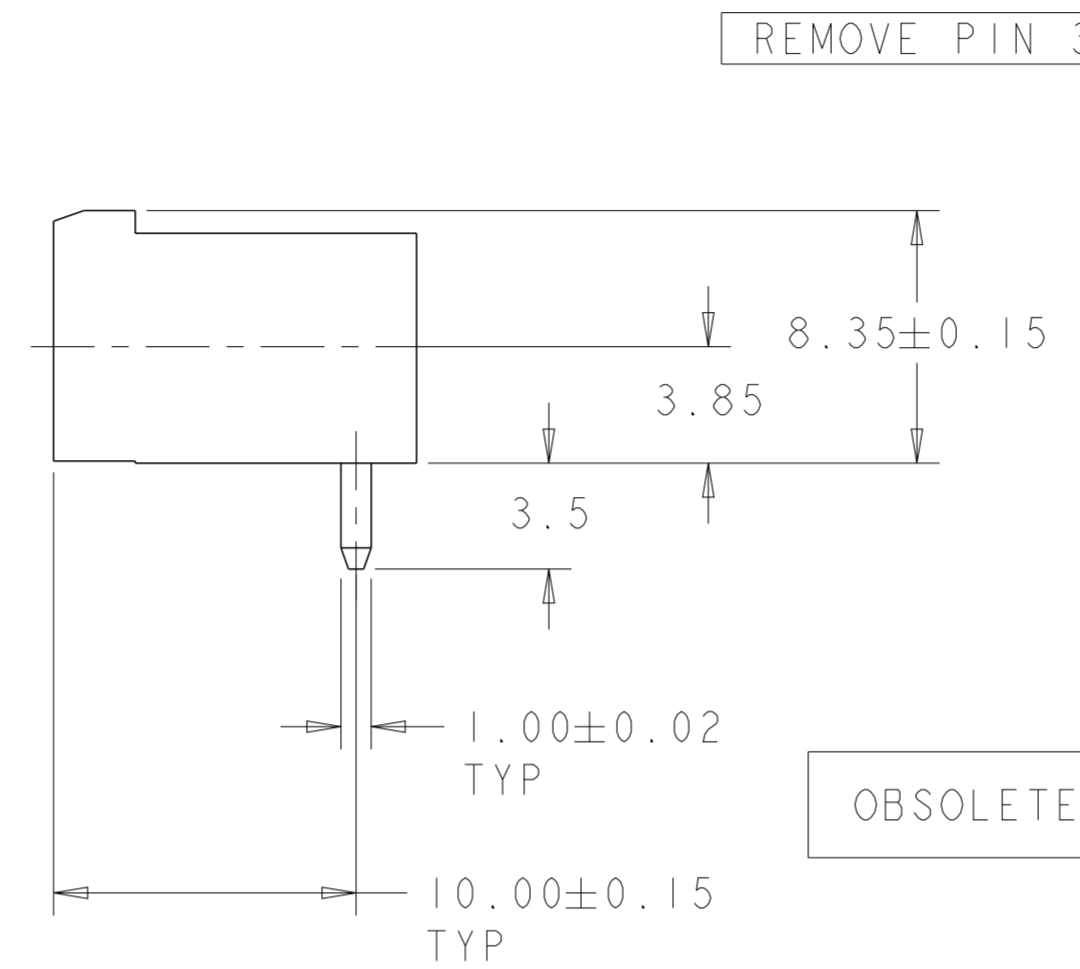
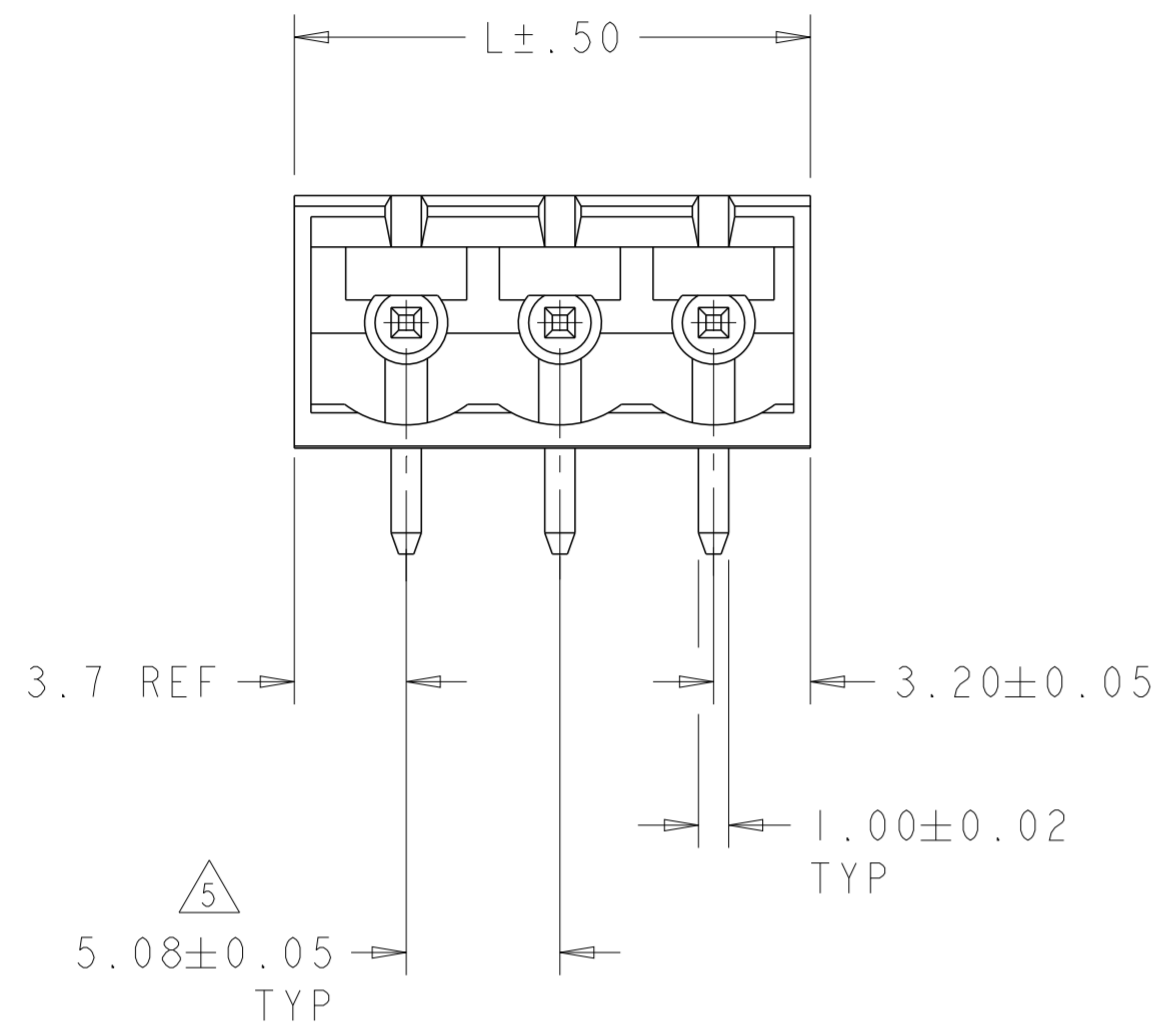
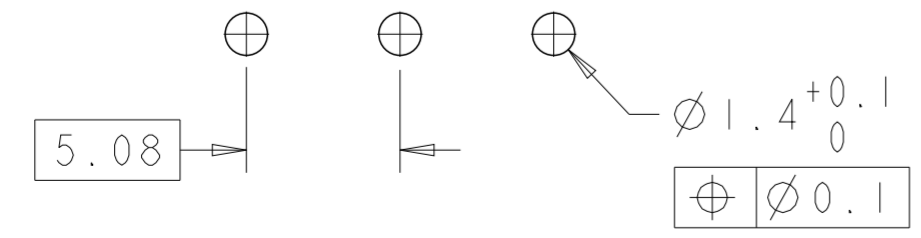


THIS DRAWING IS UNPUBLISHED. RELEASED FOR PUBLICATION 20  
 © COPYRIGHT 20 BY - ALL RIGHTS RESERVED.

LOC		DIST		REVISIONS			
P	LTR	DESCRIPTION		DATE	DWN	APVD	
	C7	PN 2-796638-8 RELEASED FOR PRODUCTION		18MAR2019	RK	PS	



796638-3 AS SHOWN



RECOMMENDED PC BOARD LAYOUT

REMOVE PIN 3

OBSOLETE

PLATING	MARKING	SPECIAL	DIM L	NO OF POSN	PART NUMBER
-	-	-	27.22	5	4-796638-1
-	-	-	108.50	21	4-796638-0
-	-	-	88.18	17	3-796638-9
-	-	-	72.94	14	3-796638-8
-	-	-	62.78	12	3-796638-7
-	-	-	52.62	10	3-796638-6
-	-	-	47.54	9	3-796638-5
-	-	-	42.46	8	3-796638-4
-	-	-	37.38	7	3-796638-3
-	-	-	32.30	6	3-796638-2
-	-	-	27.22	5	3-796638-1
-	-	-	22.14	4	3-796638-0
-	-	-	17.06	3	2-796638-9
-	-	-	11.98	2	2-796638-8
-	-	-	42.46	8	2-796638-7
-	-	-	52.62	10	2-796638-6
-	-	-	128.82	25	2-796638-5
-	-	-	123.74	24	2-796638-4
-	-	-	118.66	23	2-796638-3
-	-	-	113.58	22	2-796638-2
-	-	-	108.50	21	2-796638-1
-	-	-	103.42	20	2-796638-0
-	-	-	98.34	19	1-796638-9
-	-	-	93.26	18	1-796638-8
-	-	-	88.18	17	1-796638-7
-	-	-	83.10	16	1-796638-6
-	-	-	78.02	15	1-796638-5
-	-	-	72.94	14	1-796638-4
-	-	-	67.86	13	1-796638-3
-	-	-	62.78	12	1-796638-2
-	-	-	57.70	11	1-796638-1
-	-	-	52.62	10	1-796638-0
-	-	-	47.54	9	796638-9
-	-	-	42.46	8	796638-8
-	-	-	37.38	7	796638-7
-	-	-	32.30	6	796638-6
-	-	-	27.22	5	796638-5
-	-	-	22.14	4	796638-4
-	-	-	17.06	3	796638-3
-	-	-	11.98	2	796638-2

THIS DRAWING IS A CONTROLLED DOCUMENT.

DWN S. WELDON 19OCT2000  
 CHK D. BIEVENOUR 19OCT2000  
 APVD D. BIEVENOUR 19OCT2000

TE Connectivity

NAME: TERMI-BLOK HEADER ASSEMBLY, 90 DEGREE, CLOSED ENDS, 5.08mm PITCH

SIZE: A2 CAGE CODE: 00779 DRAWING NO: C-796638

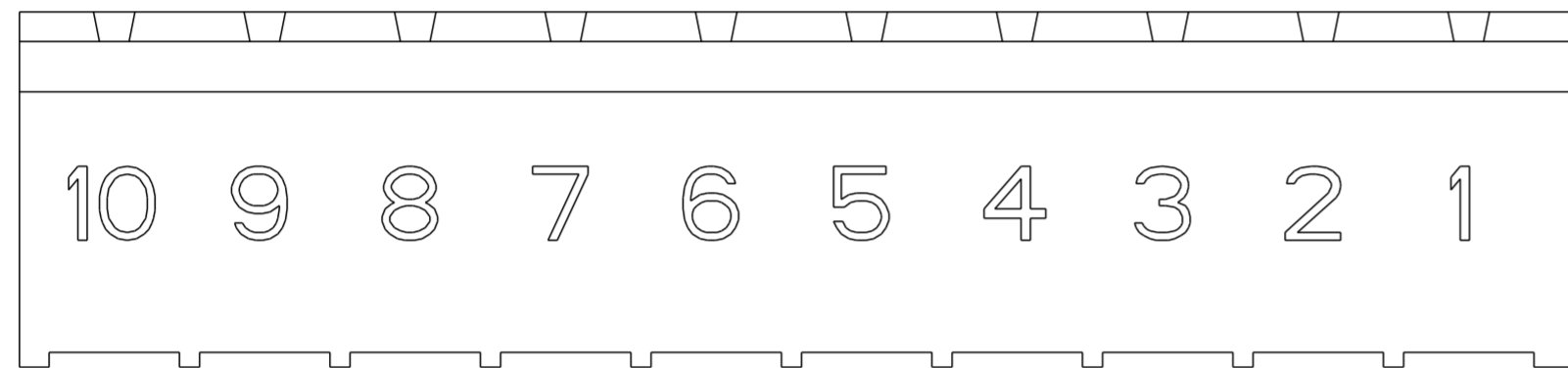
SCALE: 4:1 SHEET 1 OF 2 REV C7

SEE NOTES SEE NOTES

CUSTOMER DRAWING

THIS DRAWING IS UNPUBLISHED.      RELEASED FOR PUBLICATION      20  
 © COPYRIGHT 20      BY -      ALL RIGHTS RESERVED.

LOC	DIST	REVISIONS					
FT	0	P	LTR	DESCRIPTION	DATE	DWN	APVD
		-		SEE SHEET 1	-	-	-



DETAIL L

- MATERIALS AND FINISH:  
 HOUSING : PA 6-6, UL 94-V0, COLOR: GREEN.  
 TERMINAL : COPPER ALLOY, SEE TABLE.
- MECHANICAL  
 MAX. INSERTION FORCE PER POLE : 3.0 N  
 MIN. WITHDRAWAL FORCE PER POLE : 1.5 N  
 MIN. PC BOARD HOLES DIAMETER : 1.2 mm  
 MAX. PC BOARD THICKNESS : 2.4 mm
- ELECTRICAL  
 WIRE RANGE : 14-30 AWG  
 MAX. VOLTAGE : 300 V  
 MAX CURRENT : 11 A  
 CONTACT RESISTANCE : <15 m Ohm  
 INSULATION RESISTANCE : >1000 M Ohm (500V DC)
- OPERATING TEMPERATURE RANGE: -40°C TO +105°C
- ⚠ NOT CUMULATIVE TOLERANCE.
- ⚠ INK MARKED WHITE.
- BUCHANAN LOGO TO APPEAR ON HOUSING, LOCATION OPTIONAL WHERE SPACE PERMITS.
- ⚠ CONTACTS SELECTIVELY LOADED IN POSITIONS 1,2,4,5,7,8.
- ⚠ TIN PLATED WITH 6-7 μm, ALL OVER 2-3 μm NICKEL.
- ⚠ PLATED WITH 0.76 μm GOLD ALL OVER 2-3 μm NICKEL.
- ⚠ PRELIMINARY - NOT FOR PRODUCTION.

THIS DRAWING IS A CONTROLLED DOCUMENT.		DWN S. WELDON 19OCT2000	<b>STE</b> TE Connectivity				
DIMENSIONS: mm		CHK D. BIEVENOUR 19OCT2000					
TOLERANCES UNLESS OTHERWISE SPECIFIED:		APVD D. BIEVENOUR 19OCT2000	NAME TERMI-BLOK HEADER ASSEMBLY, 90 DEGREE, CLOSED ENDS, 5.08mm PITCH				
0 PLC ± 1 PLC ±0.3 2 PLC ±0.25 3 PLC ± 4 PLC ±		PRODUCT SPEC -	SIZE A2	CAGE CODE 00779	DRAWING NO G-796638	RESTRICTED TO -	
MATERIAL SEE NOTES		FINISH SEE NOTES	WEIGHT -	SCALE 4:1		SHEET 2 OF 2	REV C7
		CUSTOMER DRAWING					

## X-ON Electronics

Largest Supplier of Electrical and Electronic Components

*Click to view similar products for [Pluggable Terminal Blocks](#) category:*

*Click to view products by [TE Connectivity](#) manufacturer:*

Other Similar products are found below :

[57.510.0053](#) [MC 1.5/ 6-ST-3.5 GY AU](#) [734-104](#) [734-302](#) [8-141-P](#) [8426620000](#) [860505](#) [860516](#) [860810](#) [GBPACX-12](#) [93.731.4953.0](#) [PV05-5,08-K](#) [PVP03-3,50](#) [PVP04-3,50](#) [PVS02-5,00](#) [1-1986160-3](#) [1377680000](#) [1531000000](#) [1546228-5](#) [ELFH16150](#) [ELFP03110](#) [ELFP10210](#) [ELFT06250](#) [ELVP03100](#) [1700101](#) [1700410](#) [1700425](#) [1702246](#) [1705229](#) [1710175](#) [1714537](#) [1717806](#) [1719600](#) [1728941](#) [1734692](#) [1734795](#) [1736036](#) [1740194](#) [1740291](#) [1740628](#) [1740990](#) [1746952](#) [1750207](#) [1752441](#) [1752865](#) [1754115](#) [1754144](#) [1756913](#) [1760051](#) [1760336](#)