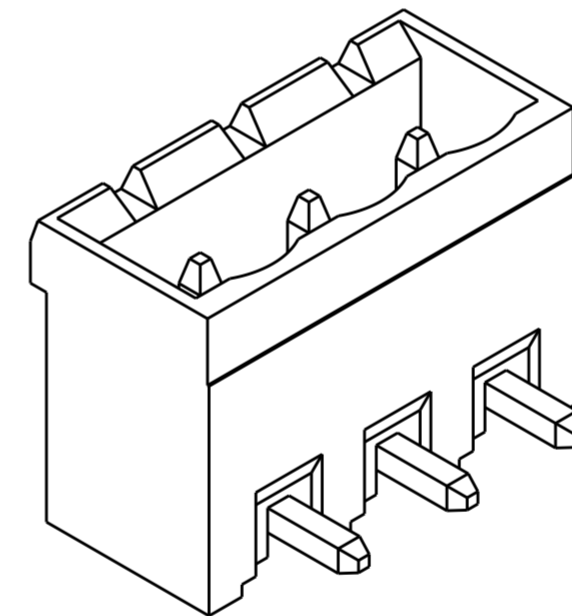
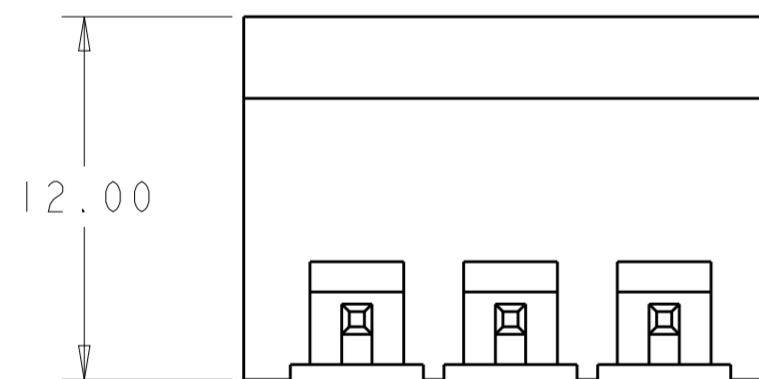
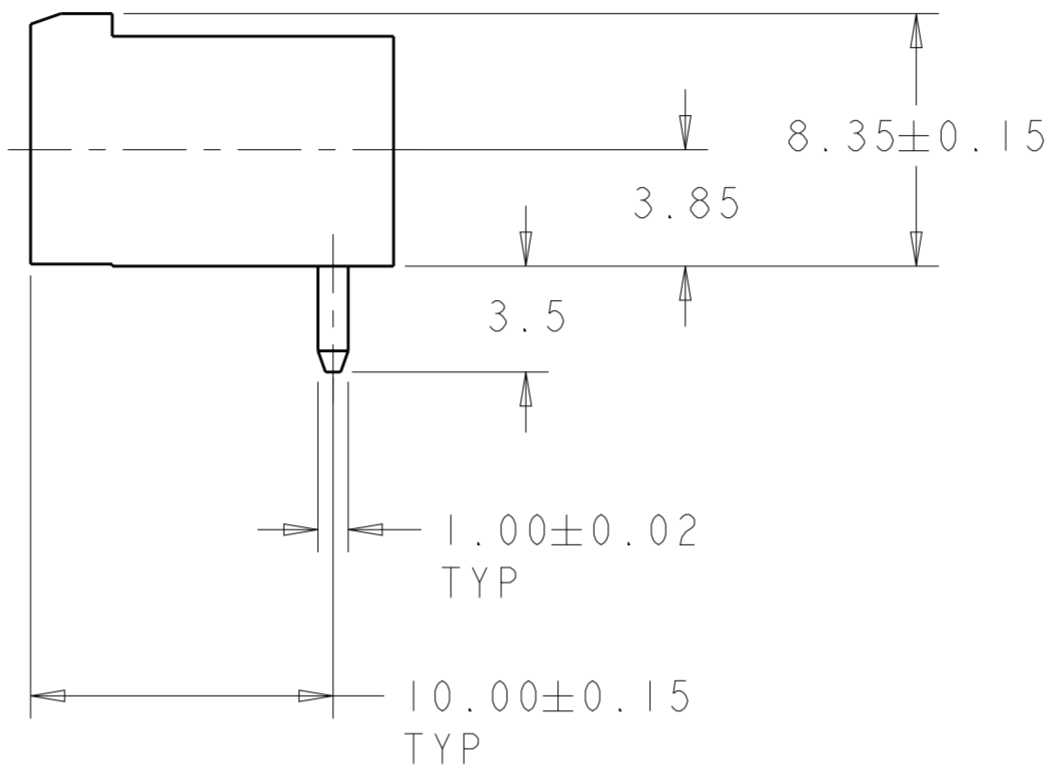
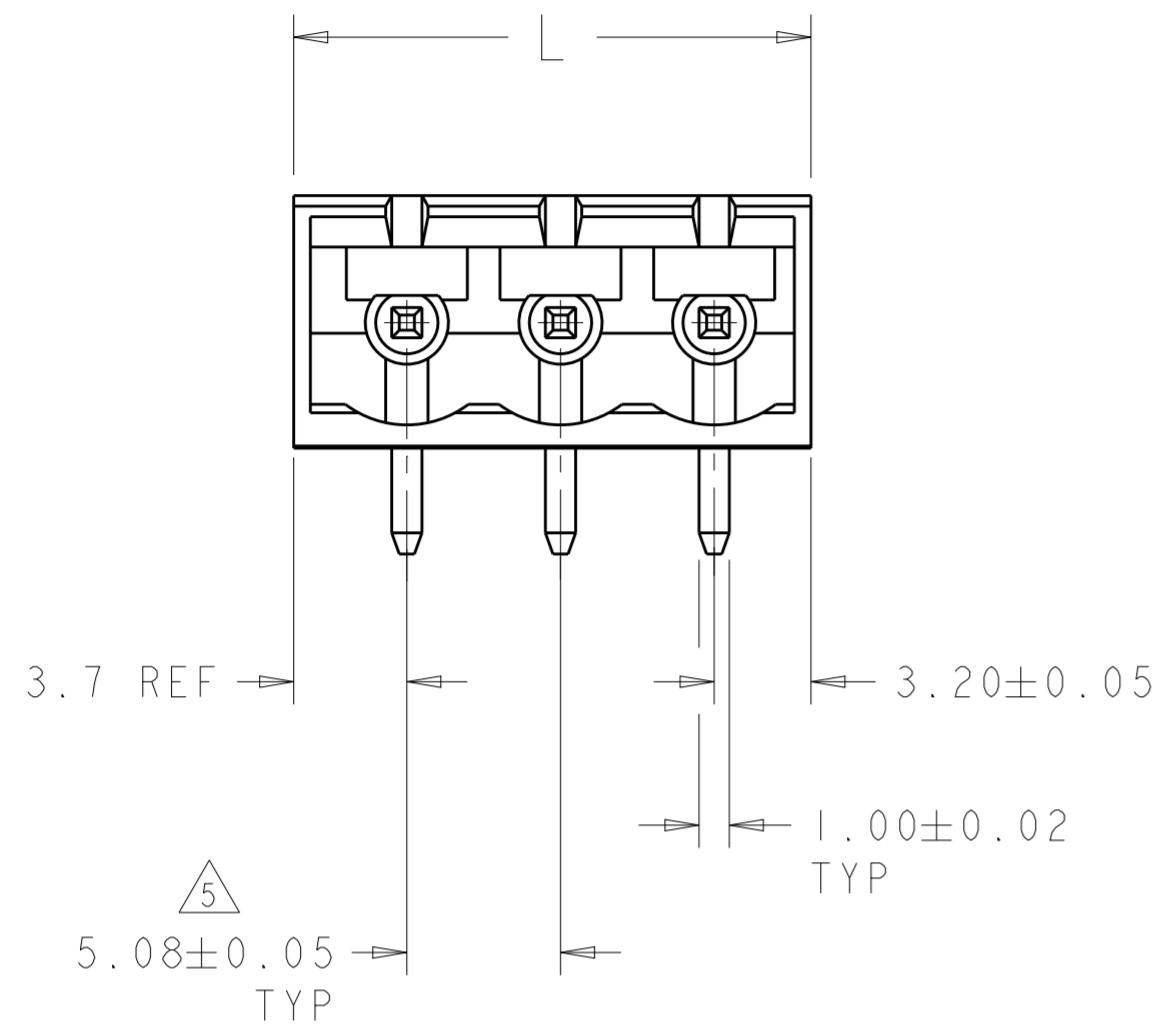


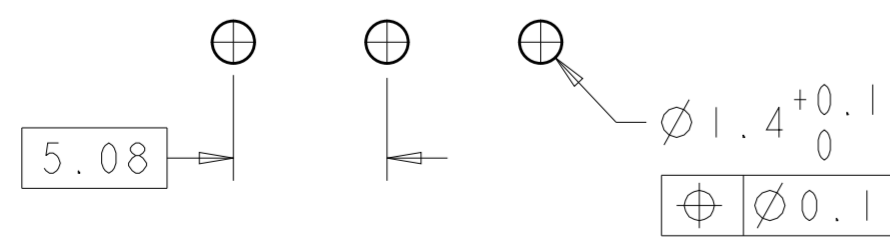
P	LTR	DESCRIPTION	DATE	DWN	APVD
B5		REVISED PER ECO-12-007711	25APR2012	KH	MS
B6		PART OBSOLETE	31AUG2020	DV	PS



796639-3 AS SHOWN

CONTACT FINISH	DIM L	NO OF POSN	PART NUMBER	
0.76 μm GOLD	108.50	21	3-796639-8	
0.76 μm GOLD	88.18	17	3-796639-1	
0.76 μm GOLD	72.94	14	3-796639-6	
0.76 μm GOLD	62.78	12	3-796639-5	
0.76 μm GOLD	52.62	10	3-796639-4	
0.76 μm GOLD	47.54	9	3-796639-3	
0.76 μm GOLD	42.46	8	3-796639-2	
0.76 μm GOLD	37.38	7	3-796639-1	
0.76 μm GOLD	32.30	6	3-796639-0	
0.76 μm GOLD	27.22	5	2-796639-9	
0.76 μm GOLD	22.14	4	2-796639-8	
0.76 μm GOLD	17.06	3	2-796639-7	
0.76 μm GOLD	11.98	2	2-796639-6	
TIN	128.82	25	2-796639-5	
TIN	123.74	24	2-796639-4	
TIN	118.66	23	2-796639-3	
TIN	113.58	22	2-796639-2	
TIN	108.50	21	2-796639-1	
TIN	103.42	20	2-796639-0	
TIN	98.34	19	1-796639-9	
TIN	93.26	18	1-796639-8	
TIN	88.18	17	1-796639-7	
TIN	83.10	16	1-796639-6	
OBSOLETE	TIN	78.02	15	1-796639-5
OBSOLETE	TIN	72.94	14	1-796639-4
TIN	67.86	13	1-796639-3	
TIN	62.78	12	1-796639-2	
TIN	57.70	11	1-796639-1	
TIN	52.62	10	1-796639-0	
TIN	47.54	9	796639-9	
TIN	42.46	8	796639-8	
TIN	37.38	7	796639-7	
TIN	32.30	6	796639-6	
TIN	27.22	5	796639-5	
TIN	22.14	4	796639-4	
TIN	17.06	3	796639-3	
TIN	11.98	2	796639-2	

- 1. MATERIALS AND FINISH:
HOUSING: PA 6-6, UL 94-V0, COLOR: BLACK.
TERMINAL: COPPER ALLOY, FINISH: SEE TABLE.
- 2. SUITABLE FOR 1,6-2, 4mm PC BOARD THICKNESS.
- 3. RECOGNIZED UNDER THE COMPONENT PROGRAM OF UNDERWRITERS LABORATORIES INC. FILE N° E60677.
- 4. IMQ CERTIFICATE WITH SURVEILLANCE IN CONFORMITY WITH IEC 998-1/998-2-1.)



RECOMMENDED PC BOARD LAYOUT

- 5. NOT CUMULATIVE TOLERANCE
- 6. PRELIMINARY PART NUMBER.

THIS DRAWING IS A CONTROLLED DOCUMENT.		DWN S. WELDON 19OCT2000	TE Connectivity	
DIMENSIONS: mm		CHK D. BIEVENOUR 19OCT2000		
TOLERANCES UNLESS OTHERWISE SPECIFIED:		APVD D. BIEVENOUR 19OCT2000	NAME: TERMI-BLOK HEADER ASSEMBLY, 90 DEGREE, CLOSED ENDS, 5.08mm PITCH	
0 PLC ±- 1 PLC ±0.2 2 PLC ±- 3 PLC ±- 4 PLC ±-		PRODUCT SPEC -	SIZE: A2 CAGE CODE: C-796639 DRAWING NO: 00779	
MATERIAL		APPLICATION SPEC -	RESTRICTED TO	
ANGLES ±- FINISH		WEIGHT -	SCALE: 4:1 SHEET 1 OF 1 REV B6	
CUSTOMER DRAWING				

X-ON Electronics

Largest Supplier of Electrical and Electronic Components

Click to view similar products for [Pluggable Terminal Blocks](#) category:

Click to view products by [TE Connectivity](#) manufacturer:

Other Similar products are found below :

[57.510.0053](#) [MC 1.5/ 6-ST-3.5 GY AU](#) [ET02015000J0G](#) [734-104](#) [734-302](#) [8-141-P](#) [8426620000](#) [860505](#) [860516](#) [860810](#) [GBPACX-12](#)
[93.731.4953.0](#) [PV05-5,08-K](#) [PVP03-3,50](#) [PVP04-3,50](#) [PVS02-5,00](#) [1-1986160-3](#) [1377680000](#) [1531000000](#) [1546228-5](#) [ELFH16150](#)
[ELFP03110](#) [ELFP10210](#) [ELFT06250](#) [ELVP03100](#) [1700101](#) [1700410](#) [1700425](#) [1702246](#) [1705229](#) [1710175](#) [1714537](#) [1717806](#) [1719600](#)
[1728941](#) [1734692](#) [1734795](#) [1736036](#) [1740194](#) [1740291](#) [1740628](#) [1740990](#) [1746952](#) [1750207](#) [1752441](#) [1752865](#) [1754115](#) [1754144](#)
[1756913](#) [1760051](#)