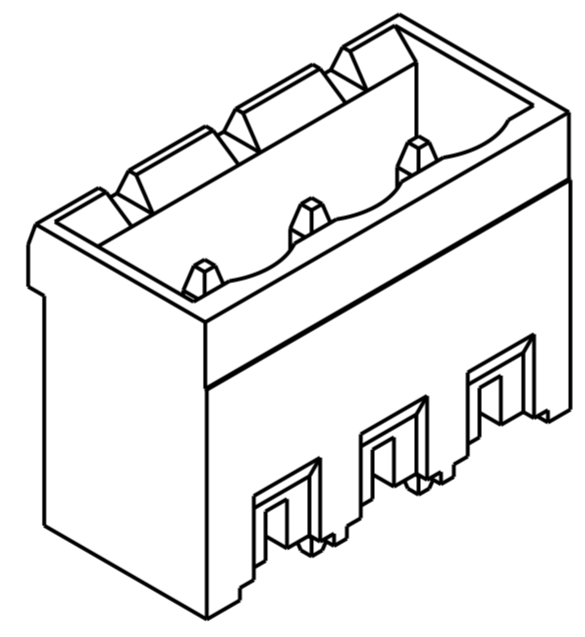
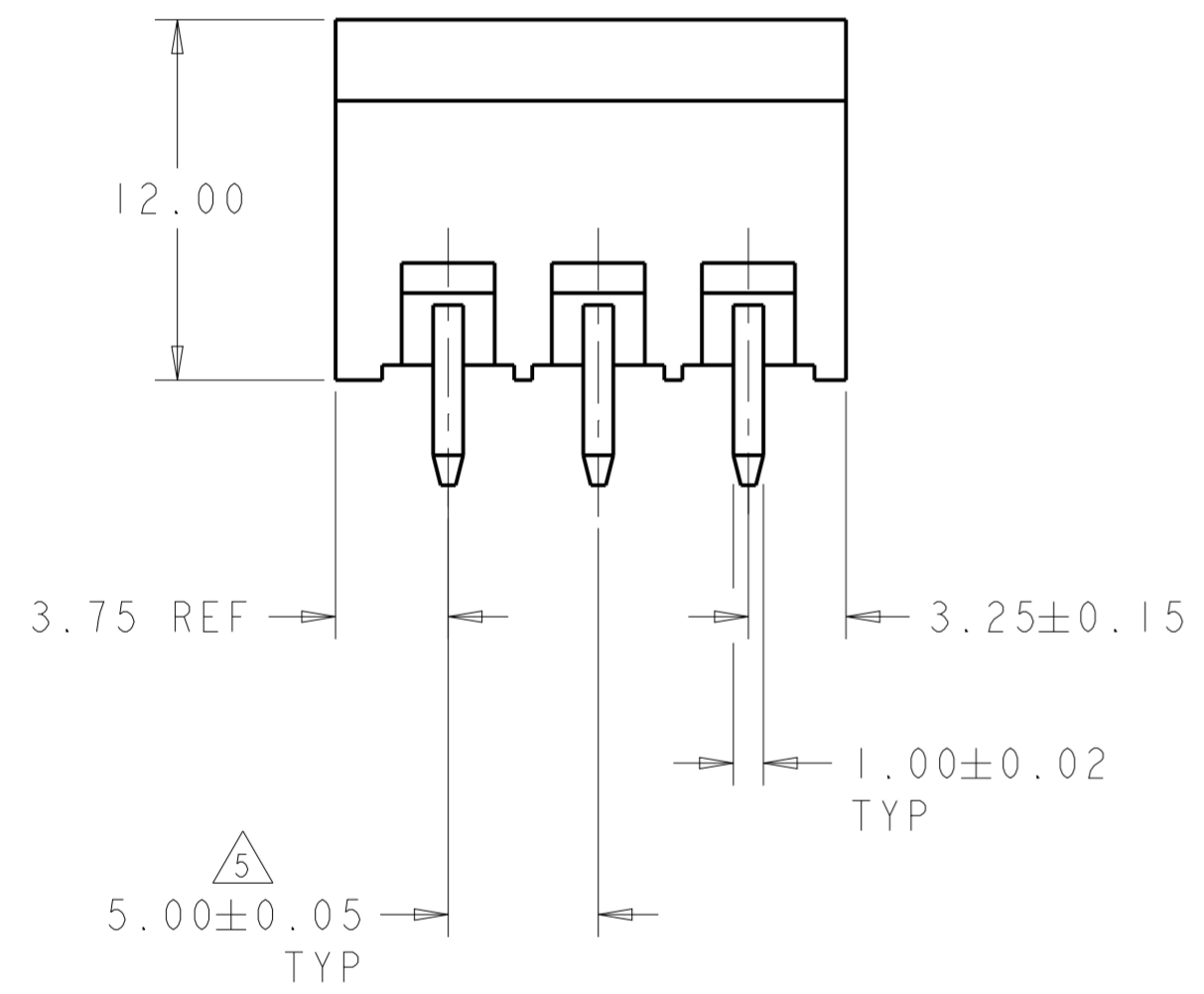
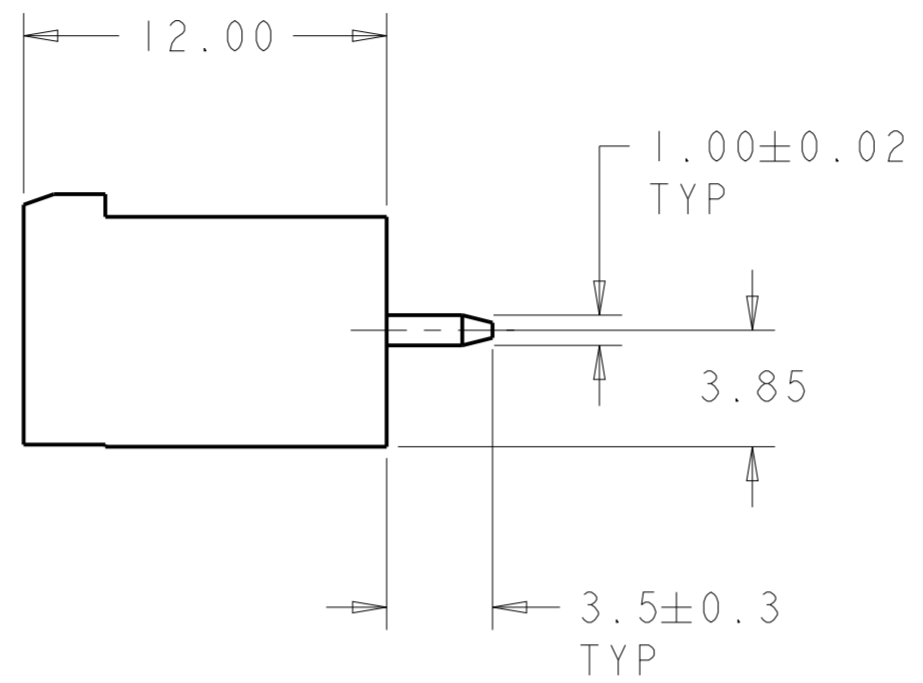
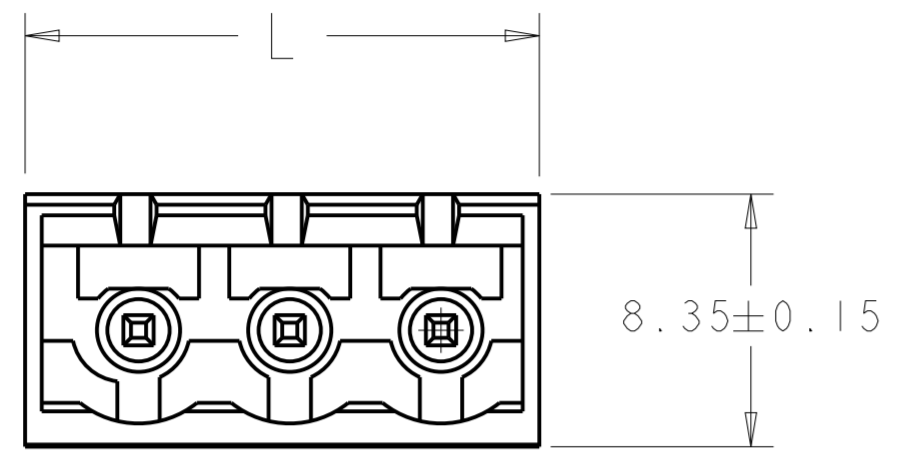
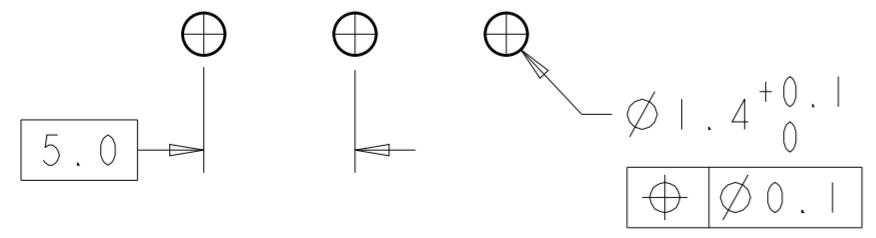


THIS DRAWING IS UNPUBLISHED. RELEASED FOR PUBLICATION 20
 © COPYRIGHT 20 BY - ALL RIGHTS RESERVED.

LOC		DIST		REVISIONS			
P	LTR	DESCRIPTION	DATE	DWN	APVD		
		C6	REVISED PER ECO-14-015436	13OCT2014	NK	MM	



796642-3 AS SHOWN



RECOMMENDED PC BOARD LAYOUT

MARKING	SPECIAL	CONTACT FINISH	DIM L	NO OF POSN	PART NUMBER
9		TIN PLATED	17.0	3	3-796642-4
8	SEE DETAIL A-A	TIN PLATED	17.0	3	3-796642-3
8		AU FL	37.0	7	3-796642-2
8	PIN 2 REMOVED	TIN PLATED	42.0	8	3-796642-1
8	PIN 2 REMOVED	TIN PLATED	37.0	7	3-796642-0
8	PIN 2 REMOVED	TIN PLATED	32.0	6	2-796642-9
		GOLD PLATED	25.0	5	2-796642-8
6	SEE DETAIL Y		50.0	10	2-796642-7
6	SEE DETAIL Z		40.0	8	2-796642-6
			127.0	25	2-796642-5
			122.0	24	2-796642-4
			117.0	23	2-796642-3
			112.0	22	2-796642-2
			107.0	21	2-796642-1
			102.0	20	2-796642-0
			97.5	19	1-796642-9
			92.0	18	1-796642-8
			87.0	17	1-796642-7
			82.0	16	1-796642-6
		TIN PLATED	77.0	15	1-796642-5
			72.0	14	1-796642-4
			67.0	13	1-796642-3
			62.0	12	1-796642-2
			57.0	11	1-796642-1
			52.0	10	1-796642-0
			47.0	9	796642-9
			42.0	8	796642-8
			37.0	7	796642-7
			32.0	6	796642-6
			27.0	5	796642-5
			22.0	4	796642-4
			17.0	3	796642-3
			12.0	2	796642-2

THIS DRAWING IS A CONTROLLED DOCUMENT.

DWN S. WELDON 19OCT2000
 CHK D. BIEVENOUR 19OCT2000
 APVD D. BIEVENOUR 19OCT2000

STE TE Connectivity

NAME: TERMINAL BLOCK HEADER ASSEMBLY
 180 DEGREE, CLOSED ENDS,
 5.00mm PITCH

SIZE: A2 CAGE CODE: 00779 DRAWING NO: C-796642 RESTRICTED TO: -

MATERIAL: 1 TOLERANCES UNLESS OTHERWISE SPECIFIED: 1

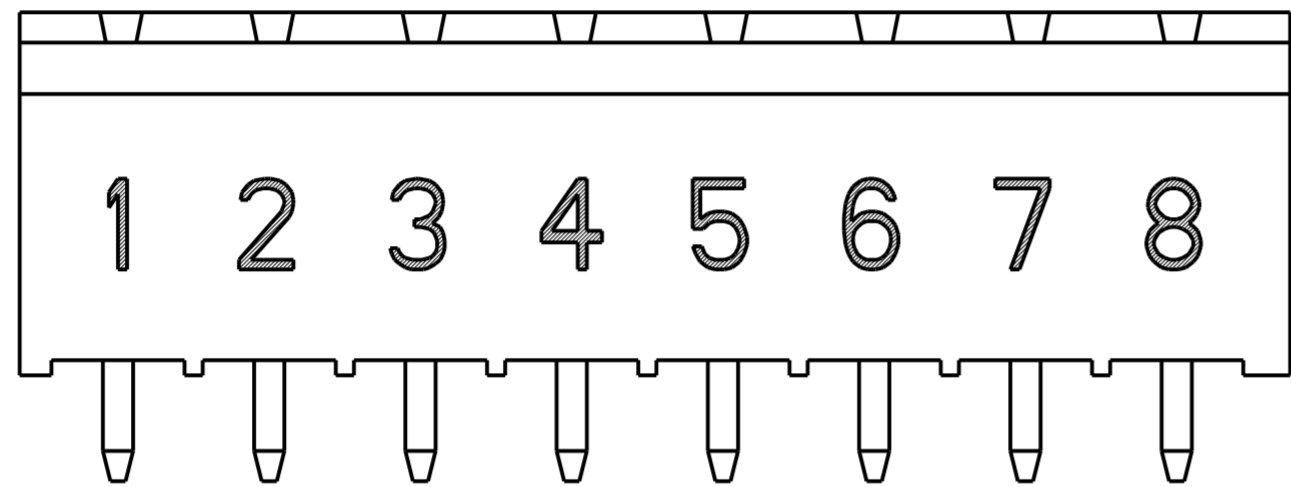
0 PLC ±-
 1 PLC ±0.30
 2 PLC ±0.25
 3 PLC ±-
 4 PLC ±-
 ANGLES ±-
 FINISH

PRODUCT SPEC: -
 APPLICATION SPEC: -
 WEIGHT: -

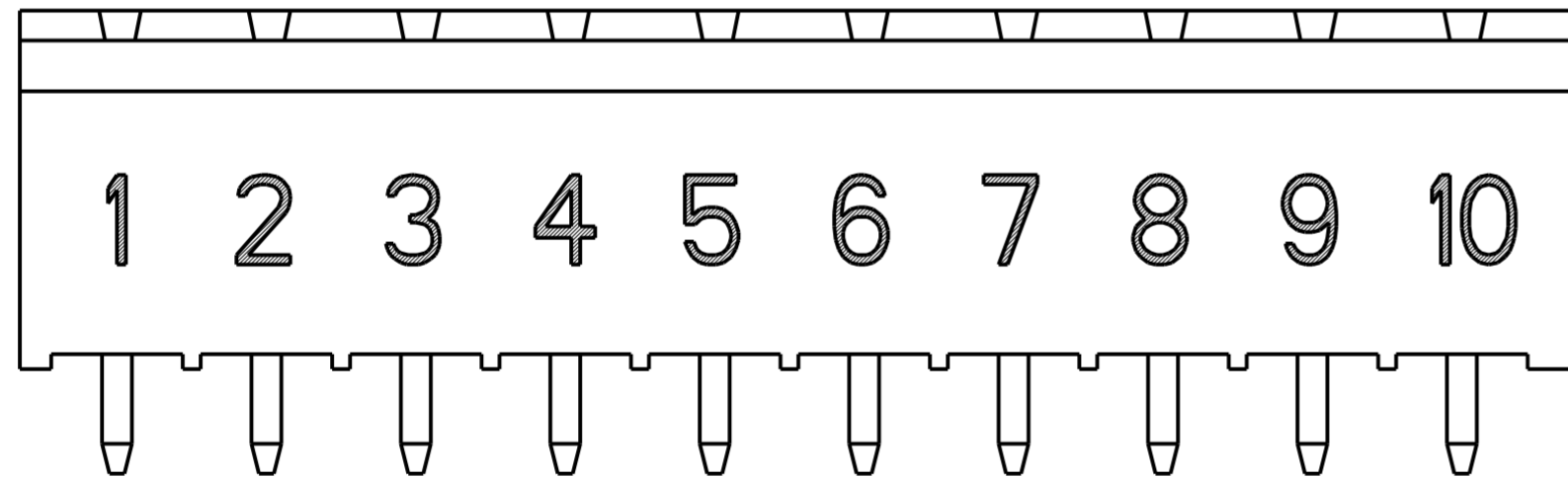
CUSTOMER DRAWING SCALE: 4:1 SHEET 1 OF 2 REV: C6

THIS DRAWING IS UNPUBLISHED. RELEASED FOR PUBLICATION 20
 © COPYRIGHT 20 BY - ALL RIGHTS RESERVED.

LOC	DIST	REVISIONS					
FT	0	P	LTR	DESCRIPTION	DATE	DWN	APVD
		-		SEE SHEET 1			

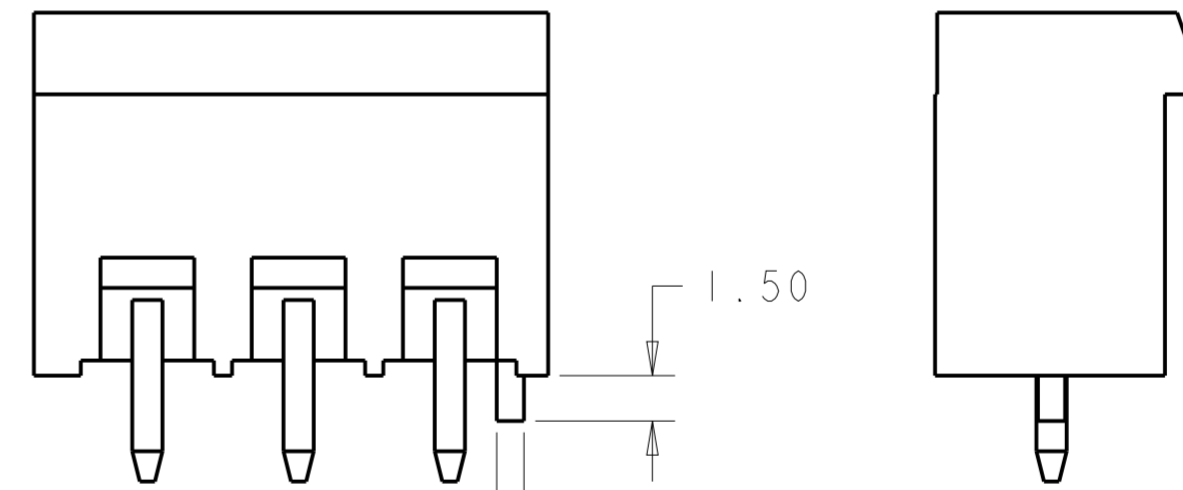


DETAIL Z

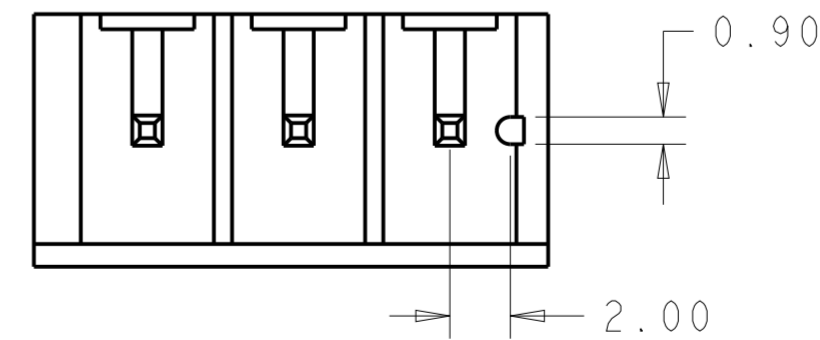


DETAIL Y

- ① MATERIALS AND FINISH:
HOUSING: PA 6-6, UL 94-V0, COLOR: GREEN.
TERMINAL: COPPER ALLOY, SEE TABLE.
- 2 SUITABLE FOR 1,6-2, 4mm PC BOARD THICKNESS.
- 3 RECOGNIZED UNDER THE COMPONENT PROGRAM OF UNDERWRITERS LABORATORIES INC. FILE N° E60677.
- 4 1M0 CERTIFICATE WITH SURVEILLANCE IN CONFORMITY WITH IEC 998-1/998-2-1.)
- ⑤ NOT CUMULATIVE TOLERANCE
- ⑥ INK MARKED WHITE.
NUMERICAL SEQUENCE FROM LEFT TO RIGHT.
- 7 BUCHANAN LOGO TO APPEAR ON HOUSING, LOCATION OPTIONAL WHERE SPACE PERMITS.
- ⑧ PRELIMINARY PART NUMBER.
- ⑨ HOUSING: PA 6-6, UL 94-V0, COLOR: YELLOW



DETAIL A-A



THIS DRAWING IS A CONTROLLED DOCUMENT.		DWN S. WELDON 19OCT2000	TE Connectivity	
DIMENSIONS: mm		CHK D. BIEVENOUR 19OCT2000		
TOLERANCES UNLESS OTHERWISE SPECIFIED:		APVD D. BIEVENOUR 19OCT2000	NAME TERMINAL BLOCK HEADER ASSEMBLY 180 DEGREE, CLOSED ENDS, 5.00mm PITCH	
0 PLC ± 1 PLC ±0.30 2 PLC ±0.25 3 PLC ± 4 PLC ± ANGLES ± FINISH ±		PRODUCT SPEC -	SIZE A200779	CAGE CODE C-796642
MATERIAL		APPLICATION SPEC -	DRAWING NO C-796642	RESTRICTED TO -
		WEIGHT -	SCALE 4:1 SHEET 2 OF 2 REV C6	
		CUSTOMER DRAWING		

X-ON Electronics

Largest Supplier of Electrical and Electronic Components

Click to view similar products for [Pluggable Terminal Blocks](#) category:

Click to view products by [TE Connectivity](#) manufacturer:

Other Similar products are found below :

[57.510.0053](#) [MC 1.5/ 6-ST-3.5 GY AU](#) [734-104](#) [734-302](#) [8-141-P](#) [8426620000](#) [860505](#) [860516](#) [860810](#) [GBPACX-12](#) [93.731.4953.0](#) [PV05-5,08-K](#) [PVP02-5,00](#) [PVP03-3,50](#) [PVP04-3,50](#) [PVS02-5,00](#) [1-1986160-3](#) [1377680000](#) [1531000000](#) [1546228-5](#) [ELFH16150](#) [ELFP03110](#) [ELFP10210](#) [ELFT06250](#) [ELVP03100](#) [1700101](#) [1700410](#) [1700425](#) [1702246](#) [1705229](#) [1710175](#) [1714537](#) [1717806](#) [1719600](#) [1728941](#) [1734692](#) [1734795](#) [1736036](#) [1740194](#) [1740291](#) [1740628](#) [1740990](#) [1746952](#) [1750207](#) [1752441](#) [1752865](#) [1754115](#) [1754144](#) [1756913](#) [1760051](#)