

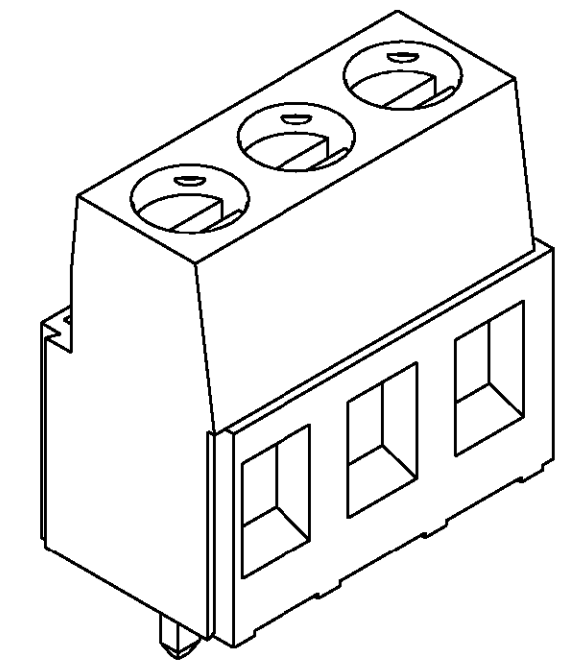
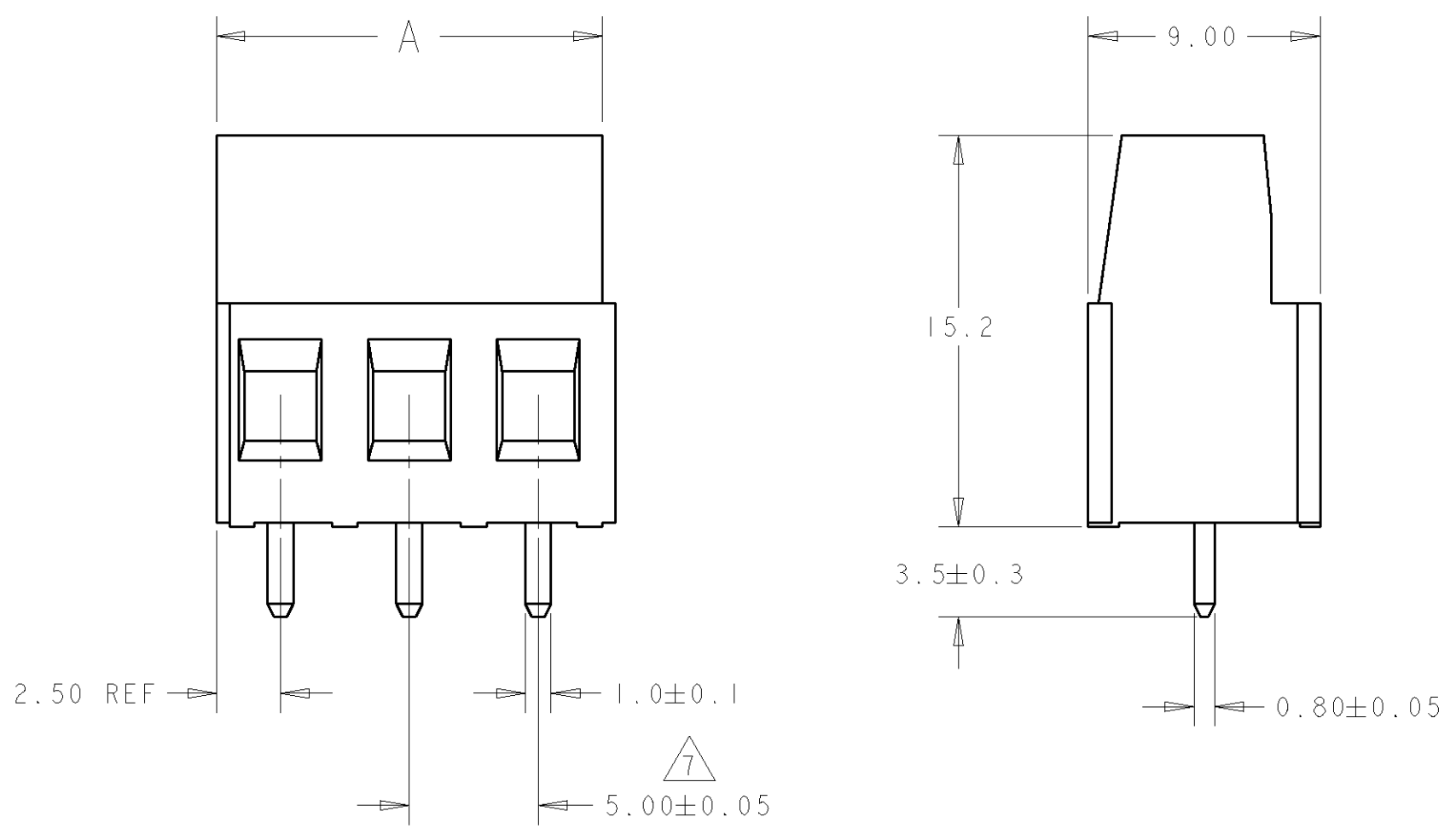
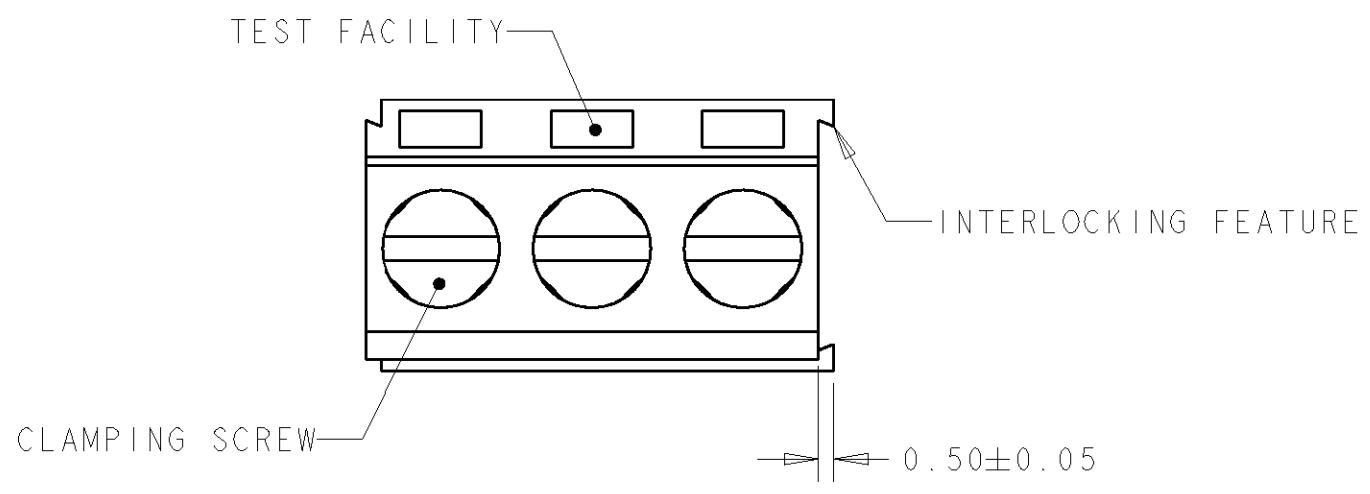
THIS DRAWING IS UNPUBLISHED. RELEASED FOR PUBLICATION
 © COPYRIGHT ALL RIGHTS RESERVED.

LOC	DIST	REVISIONS			
P	LTR	DESCRIPTION	DATE	DWN	APVD
FT	0	C1 REVISED PER ECO-11-005294	20APR11	RK	HMR

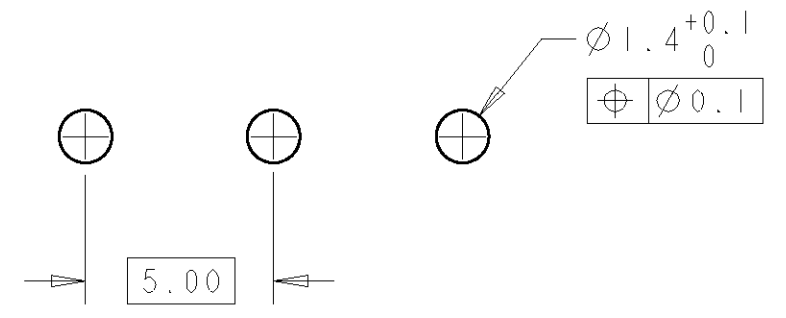
- ⚠ MATERIALS AND FINISH:
 HOUSING: PA 6-6, UL 94-V0, COLOR:BLUE.
 CLAMP: BRASS, NICKEL PLATED.
 TERMINAL: BRASS, TIN PLATED.
 CLAMPING SCREW: M3, BRASS, NICKEL PLATED.

- SUITABLE FOR 1,6-2,4mm. PCB THICKNESS.
- END-TO-END STACKABLE W/INTERLOCK WITHOUT LOSS OF CENTERLINE SPACING.
- WIRE SIZE RANGE: 12-30 AWG
- RECOGNIZED UNDER THE COMPONENT PROGRAM OF UNDERWRITERS LABORATORIES INC. FILE No E60677.
- IMQ CERTIFICATE WITH SURVEILLANCE IN CONFORMITY WITH IEC 998-1/998-2-1.

- ⚠ NOT CUMULATIVE TOLERANCE.
- BUCHANAN LOGO TO APPEAR ON HOUSING, LOCATION OPTIONAL, WHERE SPACE PERMITS.
 - PARTS INK MARKED OR HOT STAMPED WHITE.



796681-3 AS SHOWN



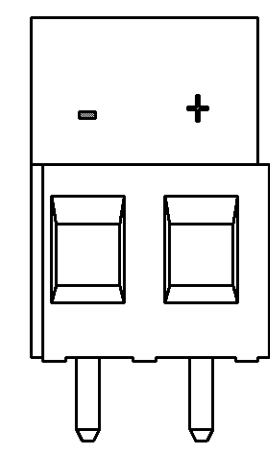
RECOMMENDED PC BOARD LAYOUT
 SCALE 5:1

SEE SHEET 3	80.00	16	4-796681-3	
SEE SHEET 3	80.00	16	4-796681-2	
SEE SHEET 3	80.00	16	4-796681-1	
SEE SHEET 3	80.00	16	4-796681-0	
SEE SHEET 3	80.00	16	3-796681-9	
SEE SHEET 3	80.00	16	3-796681-8	
SEE SHEET 2	60.00	12	3-796681-7	
SEE SHEET 2	60.00	12	3-796681-6	
SEE SHEET 2	60.00	12	3-796681-5	
SEE SHEET 2	60.00	12	3-796681-4	
SEE SHEET 2	45.00	9	3-796681-3	
SEE SHEET 2	45.00	9	3-796681-2	
SEE SHEET 2	10.00	2	3-796681-1	
SEE SHEET 2	10.00	2	3-796681-0	
-	125.00	25	2-796681-5	
-	120.00	24	2-796681-4	
-	115.00	23	2-796681-3	
-	110.00	22	2-796681-2	
-	105.00	21	2-796681-1	
-	100.00	20	2-796681-0	
-	95.00	19	1-796681-9	
-	90.00	18	1-796681-8	
-	85.00	17	1-796681-7	
-	80.00	16	1-796681-6	
-	75.00	15	1-796681-5	
-	70.00	14	1-796681-4	
-	65.00	13	1-796681-3	
-	60.00	12	1-796681-2	
-	55.00	11	1-796681-1	
-	50.00	10	1-796681-0	
-	45.00	9	796681-9	
-	40.00	8	796681-8	
-	35.00	7	796681-7	
-	30.00	6	796681-6	
-	25.00	5	796681-5	
-	20.00	4	796681-4	
-	15.00	3	796681-3	
-	10.00	2	796681-2	
MARKING	⚠	A	POSN	PART NUMBER

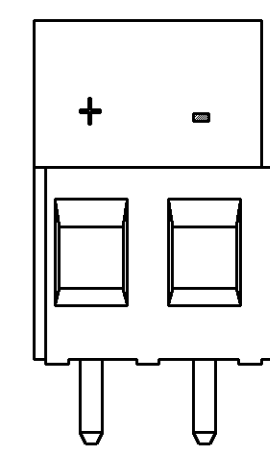
DIMENSIONS: mm 		TOLERANCES UNLESS OTHERWISE SPECIFIED: 0 PLC ±0 1 PLC ±.3 2 PLC ±.25 3 PLC ±0 4 PLC ±0 ANGLES ±° FINISH		DWN S. WELDON 22AUG2001 CHK D. BIEVENOUR 22AUG2001 APVD D. BIEVENOUR 22AUG2001 PRODUCT SPEC - APPLICATION SPEC - WEIGHT -	TE TE Connectivity NAME TERMINAL BLOCK PCB MOUNT W/INTERLOCK, 5.0mm PITCH SIZE A2 CAGE CODE 00779 DRAWING NO. 796681 RESTRICTED TO -	
MATERIAL 		FINISH 		CUSTOMER DRAWING SCALE 4:1 SHEET 1 OF 3 REV C1		

THIS DRAWING IS UNPUBLISHED. RELEASED FOR PUBLICATION
 © COPYRIGHT ALL RIGHTS RESERVED.

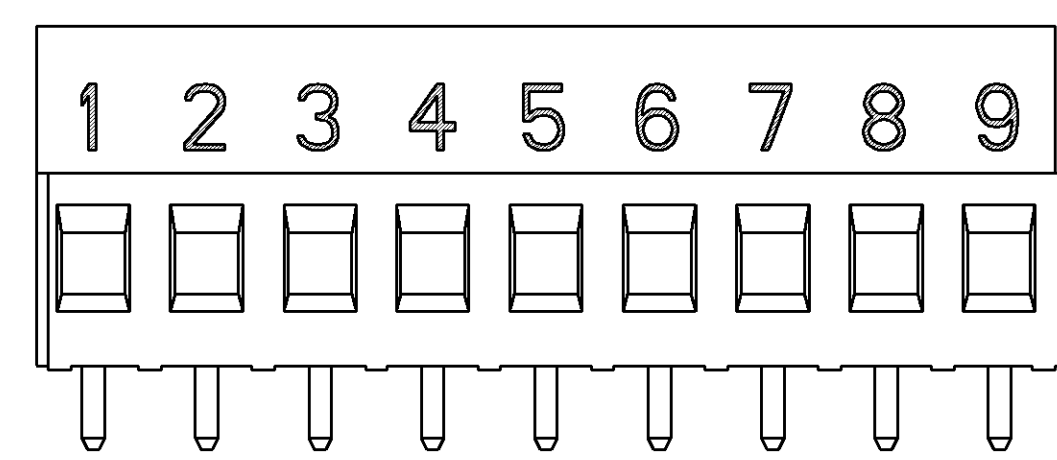
LOC	DIST	REVISIONS					
FT	0	P	LTR	DESCRIPTION	DATE	DWN	APVD
		-		SEE SHEET 1	-	-	-



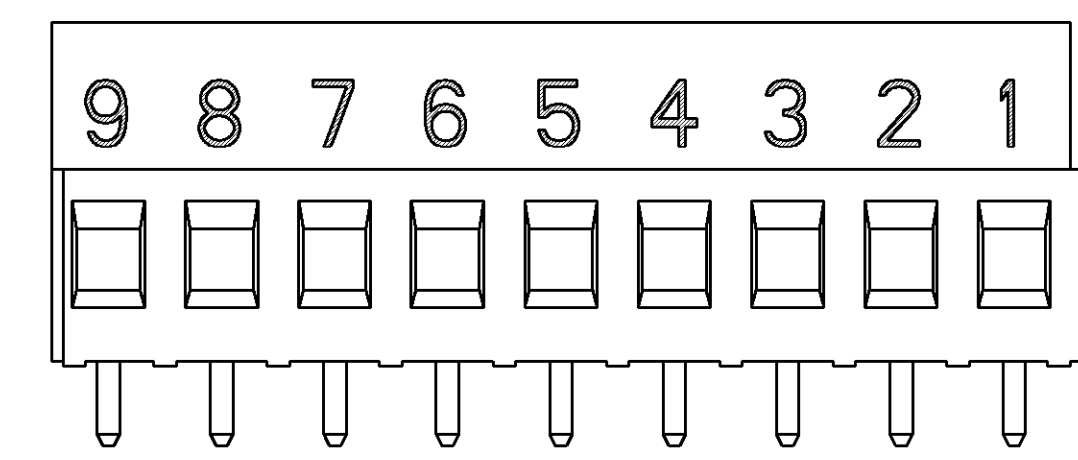
3-796681-0 AS SHOWN
SCALE 3:1



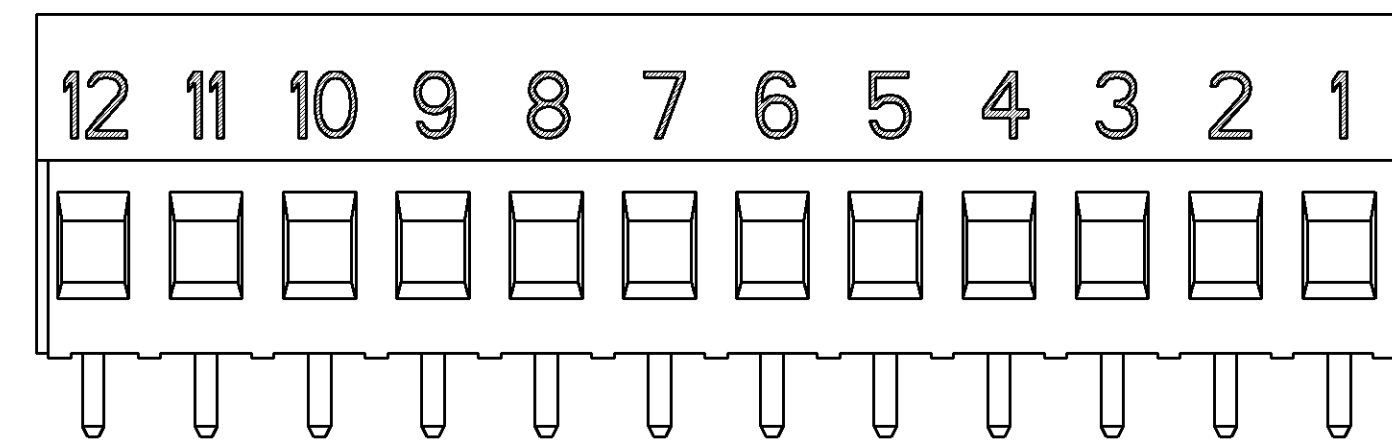
3-796681-1 AS SHOWN
SCALE 3:1



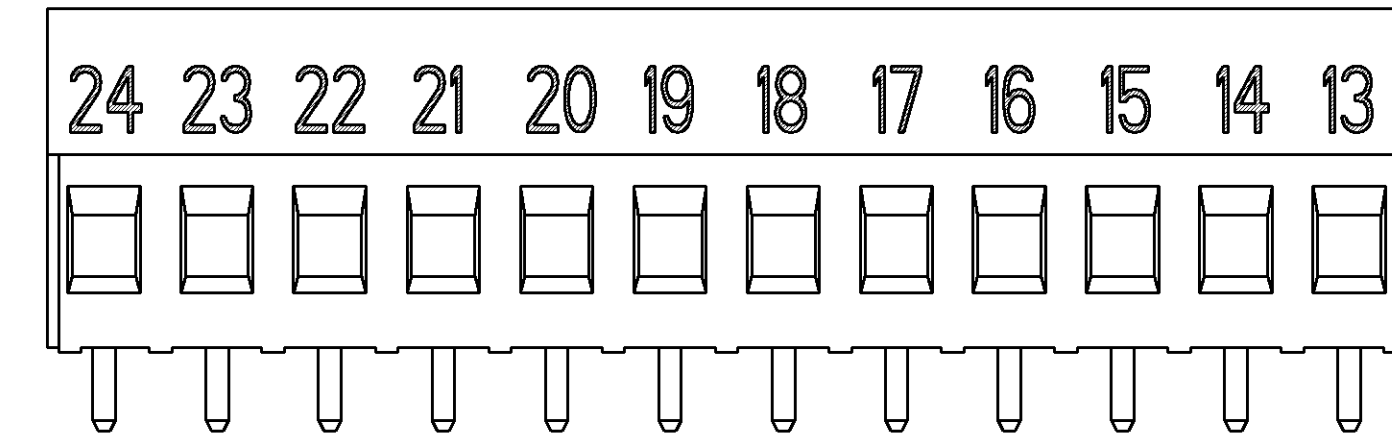
3-796681-2 AS SHOWN
SCALE 3:1



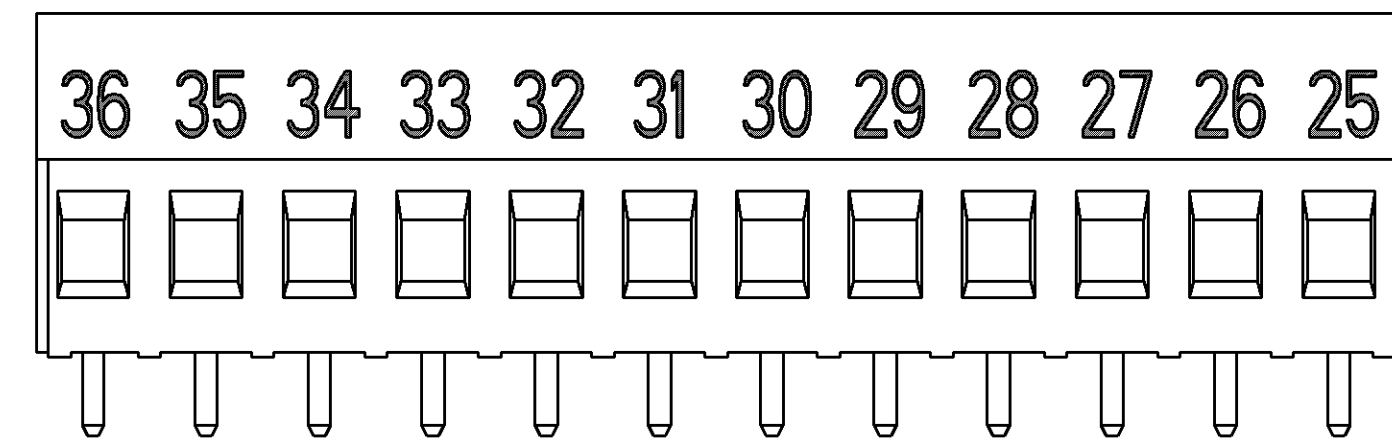
3-796681-3 AS SHOWN
SCALE 3:1



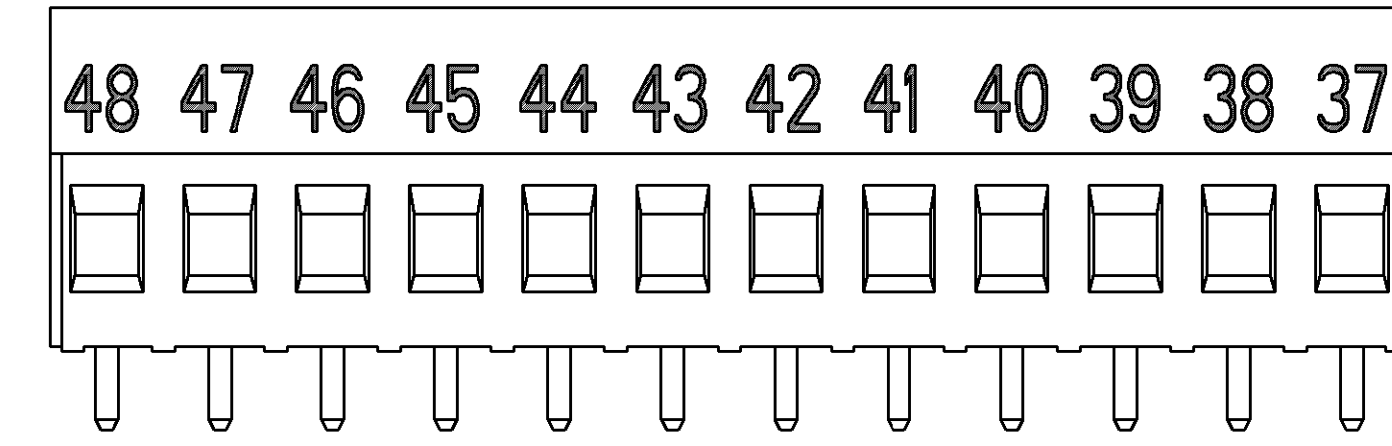
3-796681-4 AS SHOWN
SCALE 3:1



3-796681-5 AS SHOWN
SCALE 3:1



3-796681-6 AS SHOWN
SCALE 3:1

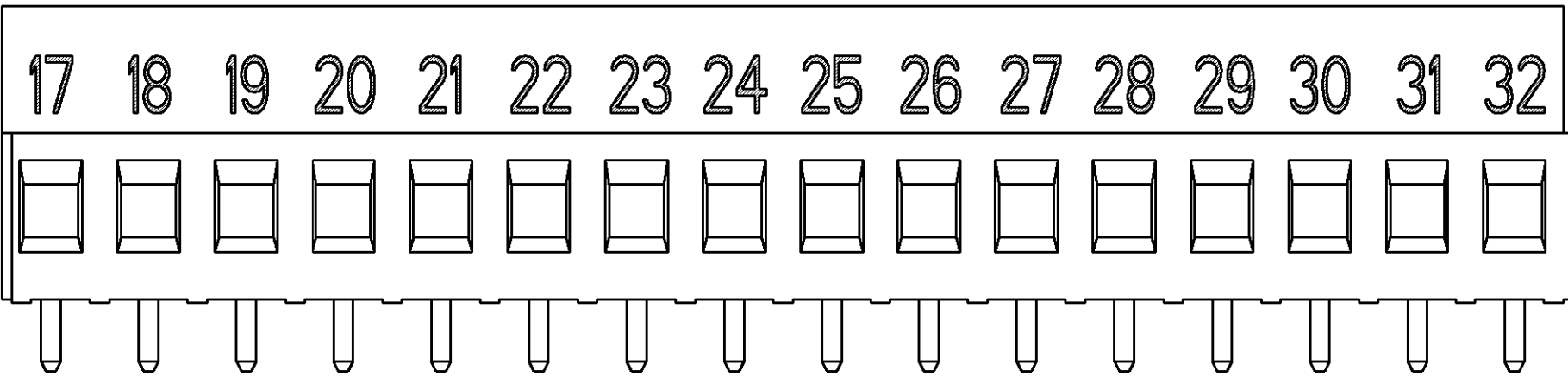


3-796681-7 AS SHOWN
SCALE 3:1

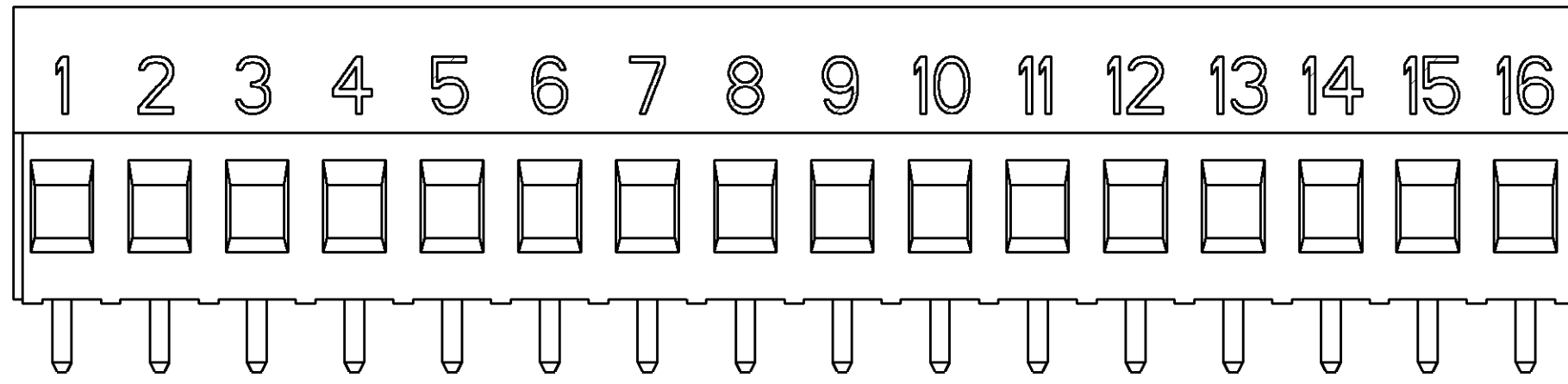
DIMENSIONS: mm 		TOLERANCES UNLESS OTHERWISE SPECIFIED: 0 PLC ±0 1 PLC ±.3 2 PLC ±.25 3 PLC ±0 4 PLC ±0 ANGLES ±2° FINISH -		DWN S. WELDON 22AUG2001 CHK D. BIEVENOUR 22AUG2001 APVD D. BIEVENOUR 22AUG2001 PRODUCT SPEC - APPLICATION SPEC - WEIGHT -	TE TE Connectivity NAME TERMINAL BLOCK PCB MOUNT W/INTERLOCK, 5.0mm PITCH	
MATERIAL -		CUSTOMER DRAWING		SIZE A2	CAGE CODE 00779	DRAWING NO. 796681
				SCALE 4:1	SHEET 2 OF 3	REV C1

THIS DRAWING IS UNPUBLISHED. RELEASED FOR PUBLICATION
 © COPYRIGHT ALL RIGHTS RESERVED.

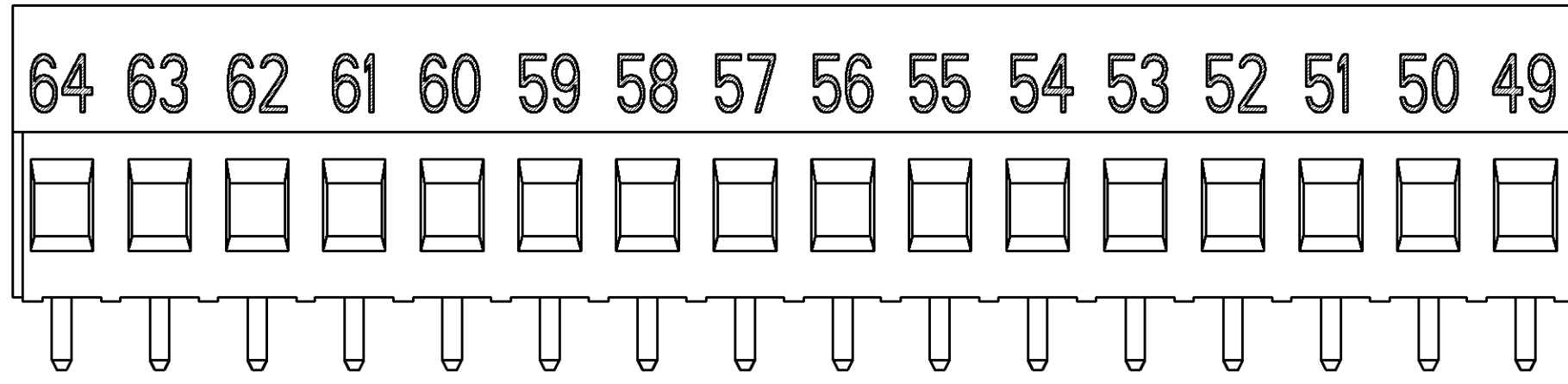
LOC	DIST	REVISIONS			
P	LTR	DESCRIPTION	DATE	DWN	APVD
FT	0				
		SEE SHEET 1			



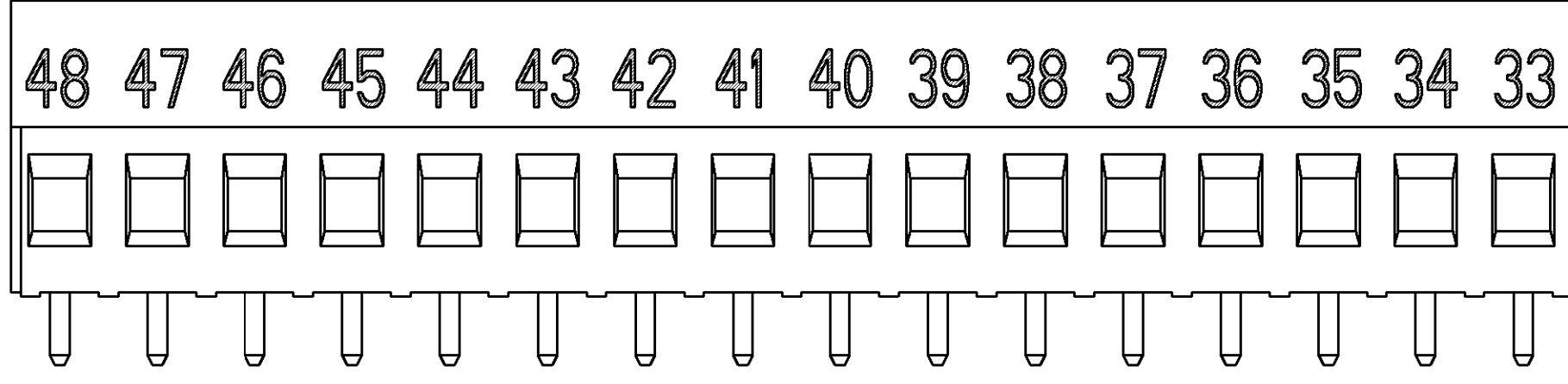
3-796681-8 AS SHOWN
SCALE 3:1



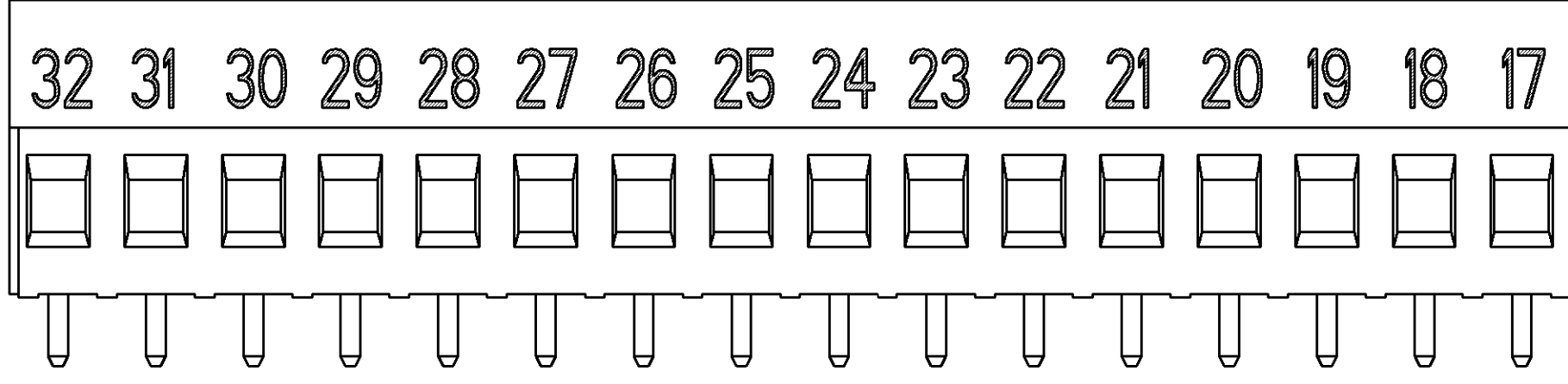
3-796681-9 AS SHOWN
SCALE 3:1



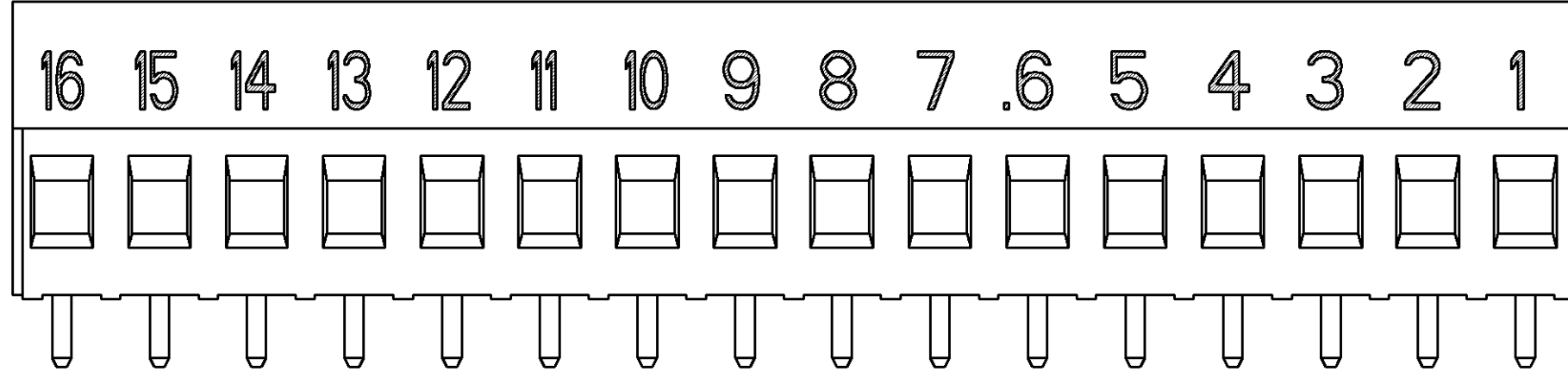
4-796681-0 AS SHOWN
SCALE 3:1



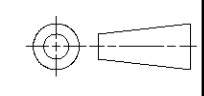

4-796681-1 AS SHOWN
SCALE 3:1



4-796681-2 AS SHOWN
SCALE 3:1



4-796681-3 AS SHOWN
SCALE 3:1

DIMENSIONS: mm 		TOLERANCES UNLESS OTHERWISE SPECIFIED: 0 PLC ±0 1 PLC ±.3 2 PLC ±.25 3 PLC ±0 4 PLC ±0 ANGLES ±2° FINISH -		DWN S. WELDON 22AUG2001 CHK D. BIEVENOUR 22AUG2001 APVD D. BIEVENOUR 22AUG2001 PRODUCT SPEC - APPLICATION SPEC - WEIGHT -		 TE Connectivity NAME TERMINAL BLOCK PCB MOUNT W/INTERLOCK, 5.0mm PITCH	
MATERIAL -		CUSTOMER DRAWING		SIZE A2 CAGE CODE 00779 DRAWING NO. 796681		RESTRICTED TO - SCALE 4:1 SHEET 3 OF 3 REV C1	

X-ON Electronics

Largest Supplier of Electrical and Electronic Components

Click to view similar products for [Fixed Terminal Blocks](#) category:

Click to view products by [TE Connectivity](#) manufacturer:

Other Similar products are found below :

[MBE-1512](#) [MBE-154](#) [MBE-156](#) [MBES-153](#) [MBES-156](#) [MH-2512](#) [MHE-132](#) [MHE-163](#) [MI-254 \(35\)](#) [MI-272](#) [880507](#) [MPT-275](#)
[15602-04-08-21](#) [ELM023100](#) [BA311TU](#) [BA411SU](#) [MV-152](#) [MV-252-D](#) [MV-253/NCNOC](#) [MV-254-D](#) [MV-255](#) [MV-462](#) [MV-493](#) [MVE-](#)
[253](#) [MVE-273](#) [MVEB-153](#) [1700096](#) [1705142](#) [1712417](#) [1713020](#) [1713088](#) [1745195](#) [1760594](#) [1776118-2](#) [1790852](#) [1-796689-8](#) [1-796692-6](#)
[1800001](#) [1800114](#) [1995279](#) [20020314-C121B01LF](#) [CB2-12](#) [KP03215000J0G](#) [KP04215000J0G](#) [S451](#) [282802-2](#) [29.007](#) [29.116](#) [30.103](#)
[30.106](#)