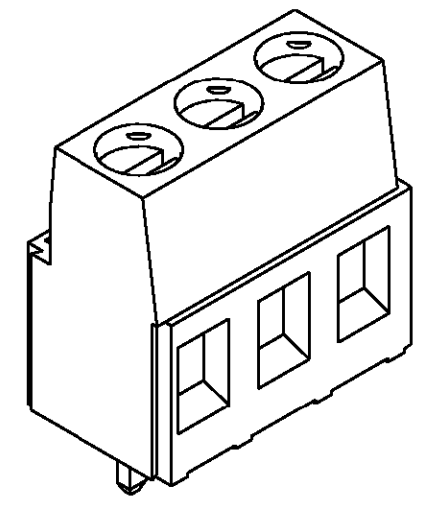
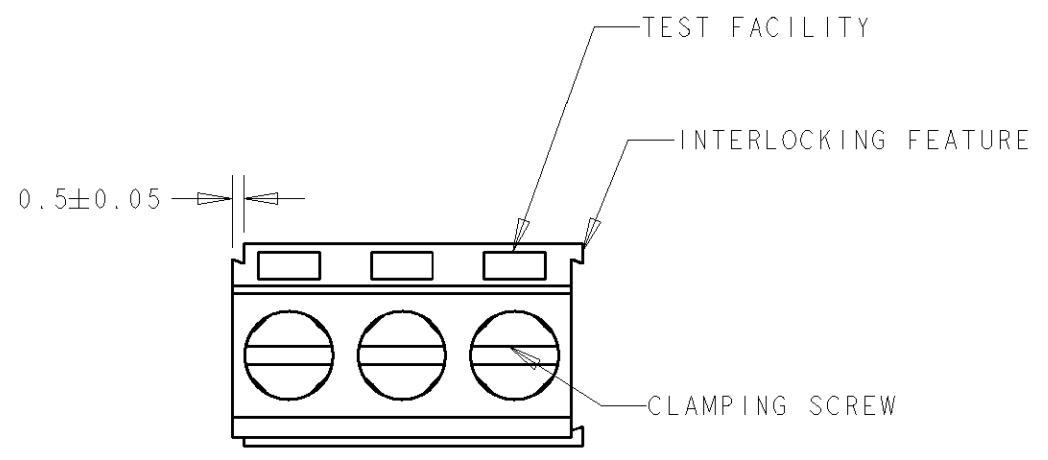
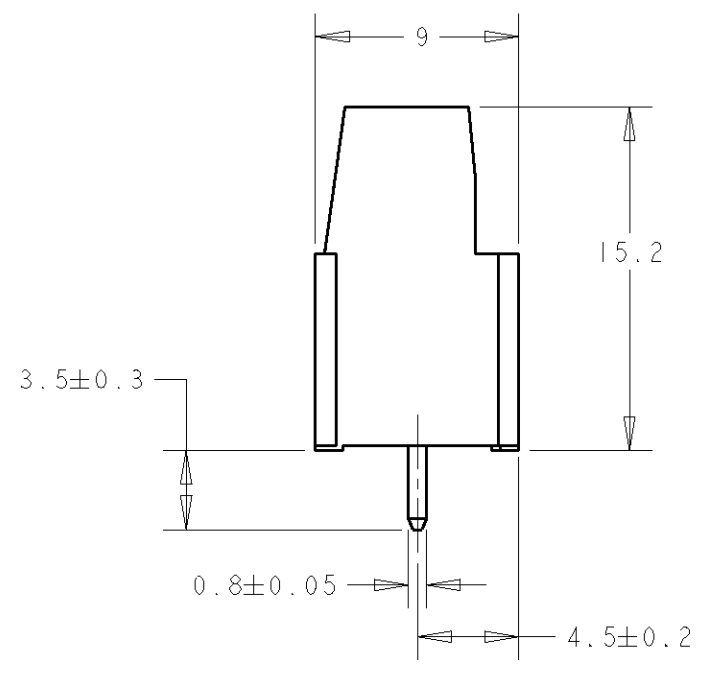
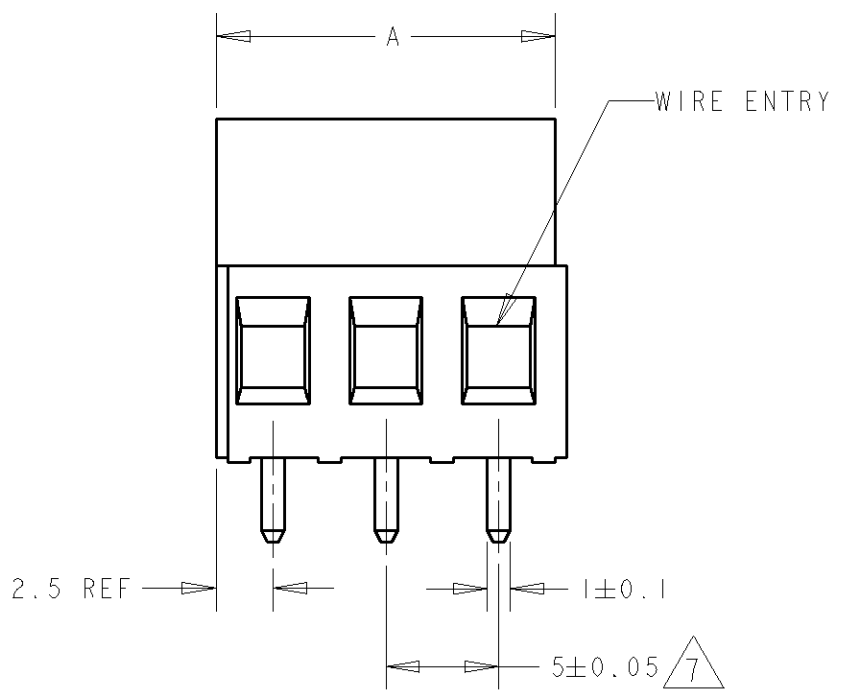


THIS DRAWING IS UNPUBLISHED. RELEASED FOR PUBLICATION 20
 © COPYRIGHT 20 BY TYCO ELECTRONICS CORPORATION. ALL RIGHTS RESERVED.

LOC	DIST	REVISIONS			
P	LTR	DESCRIPTION	DATE	DWN	APVD
FT	0	A	RELEASED	05OCT2001	EZ DB

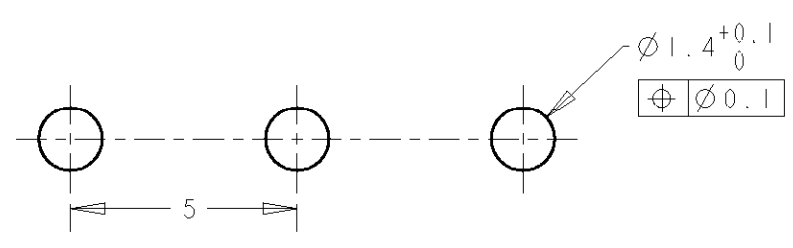


796682-3 AS SHOWN



DIM. A	N° OF POS.	PART NUMBER
130	25	2-796682-5
120	24	2-796682-4
115	23	2-796682-3
110	22	2-796682-2
105	21	2-796682-1
100	20	2-796682-0
95	19	1-796682-9
90	18	1-796682-8
85	17	1-796682-7
80	16	1-796682-6
75	15	1-796682-5
70	14	1-796682-4
65	13	1-796682-3
60	12	1-796682-2
55	11	1-796682-1
50	10	1-796682-0
45	9	796682-9
40	8	796682-8
35	7	796682-7
30	6	796682-6
25	5	796682-5
20	4	796682-4
15	3	796682-3
10	2	796682-2

RECOMMENDED PC BOARD LAYOUT



<small>THIS DRAWING IS A CONTROLLED DOCUMENT FOR TYCO ELECTRONICS CORPORATION IT IS SUBJECT TO CHANGE AND THE CONTROLLING ENGINEERING ORGANIZATION SHOULD BE CONTACTED FOR THE LATEST REVISION.</small>		DWN 05APR2001 E. ZANOLINI CHK 05APR2001 D. BIEVENOUR APVD 05APR2001 D. BIEVENOUR		BUCHANAN Tyco Electronics Harrisburg, PA 17105-3608	
DIMENSIONS: mm		TOLERANCES UNLESS OTHERWISE SPECIFIED: 0 PLC ±- 1 PLC ±.3 2 PLC ±.25 3 PLC ±- 4 PLC ±- ANGLES ±2		NAME TERMINAL BLOCK PCB MOUNT, SIDE ENTRY WIRE, STACKING W/ INTERLOCK, 5mm PITCH.	
MATERIAL 		FINISH 		PRODUCT SPEC 108-20166 APPLICATION SPEC 114-20079 WEIGHT -	
CUSTOMER DRAWING				SIZE A3	CAGE CODE 00779
SCALE 3:1				DRAWING NO C-796682	RESTRICTED TO -
SHEET 1 OF 2				REV A	

4

3

2

1

THIS DRAWING IS UNPUBLISHED.

RELEASED FOR PUBLICATION

20

© COPYRIGHT 20

BY TYCO ELECTRONICS CORPORATION. ALL RIGHTS RESERVED.

LOC	DIST	REVISIONS					
		P	LTR	DESCRIPTION	DATE	DWN	APVD
FT	0		-	SEE SHEET 1	-	-	-



MATERIALS AND FINISH

HOUSING: PA 6-6, UL 94-V0.

COLOR: BLACK

CLAMP: BRASS, NICKEL PLATED.

TERMINAL: BRASS, TIN PLATED.

CLAMPING SCREW: M3, BRASS, NICKEL PLATED.

- 2 SUITABLE FOR 1,6-2,4mm. PCB THICKNESS.
- 3 END-TO-END STACKABLE W/INTERLOCK WITHOUT LOSS OF CENTERLINE SPACING.
- 4 WIRE SIZE RANGE
SOLID WIRE: 0,03-2,5mm (13AWG)
STRANDED WIRE: 0,03-1,5mm (15AWG)
- 5 RECOGNIZED UNDER THE COMPONENT PROGRAM OF UNDERWRITERS LABORATORIES INC. FILE N° E60677.
- 6 IMO CERTIFICATE WITH SURVEILLANCE IN CONFORMITY WITH IEC 998-1/998-2-1.



NOT CUMULATIVE TOLERANCE.

DIMENSIONS:		TOLERANCES UNLESS OTHERWISE SPECIFIED:		DWN		NAME	
mm				E. ZANOLINI		Tyco Electronics	
		0 PLC ±-		05APR2001		BUCHANAN Harrisburg, PA 17105-3608	
		1 PLC ±-		05APR2001			
		2 PLC ±-		D. BIEVENOUR		TERMINAL BLOCK PCB MOUNT, SIDE ENTRY WIRE, STACKING W/ INTERLOCK, 5mm PITCH.	
		3 PLC ±-		05APR2001			
		4 PLC ±-		D. BIEVENOUR		SIZE A3 CAGE CODE 00779 C=796682	
		ANGLES ±-					
MATERIAL -		FINISH -		PRODUCT SPEC -		RESTRICTED TO -	
				APPLICATION SPEC -			
				WEIGHT -			
CUSTOMER DRAWING				SCALE -		SHEET 2 OF 2 REV A	

X-ON Electronics

Largest Supplier of Electrical and Electronic Components

Click to view similar products for [Fixed Terminal Blocks](#) category:

Click to view products by [TE Connectivity](#) manufacturer:

Other Similar products are found below :

[MBE-1512](#) [MBE-154](#) [MBE-156](#) [MBES-153](#) [MBES-156](#) [MH-2512](#) [MHE-132](#) [MHE-163](#) [MI-254 \(35\)](#) [MI-272](#) [880507](#) [MPT-275](#)
[15602-04-08-21](#) [BA311TU](#) [BA411SU](#) [MV-152](#) [MV-252-D](#) [MV-253/NCNOC](#) [MV-254-D](#) [MV-255](#) [MV-462](#) [MV-493](#) [MVE-252](#) [MVE-253](#)
[MVE-273](#) [MVEB-153](#) [1700096](#) [1705142](#) [1712417](#) [1713020](#) [1713088](#) [1745195](#) [1760594](#) [1776118-2](#) [1790852](#) [1-796689-8](#) [1-796692-6](#)
[1800001](#) [1800114](#) [1995279](#) [20020314-C121B01LF](#) [20020316-G041B01LF](#) [CB2-12](#) [KP03215000J0G](#) [KP04215000J0G](#) [S451](#) [282802-2](#)
[29.007](#) [29.116](#) [30.103](#)