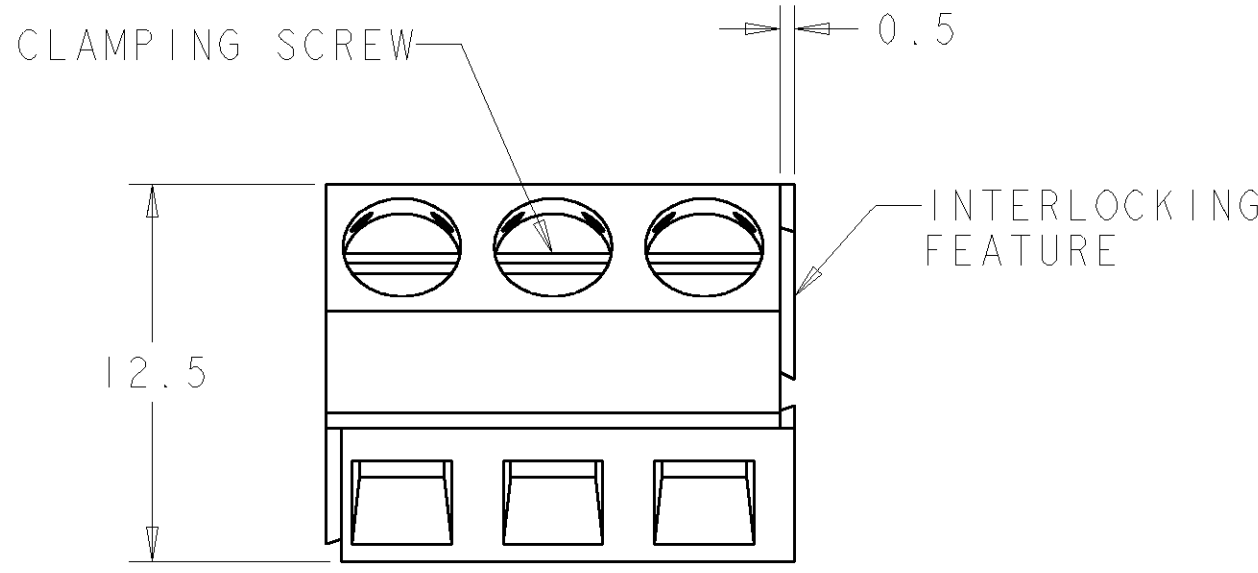
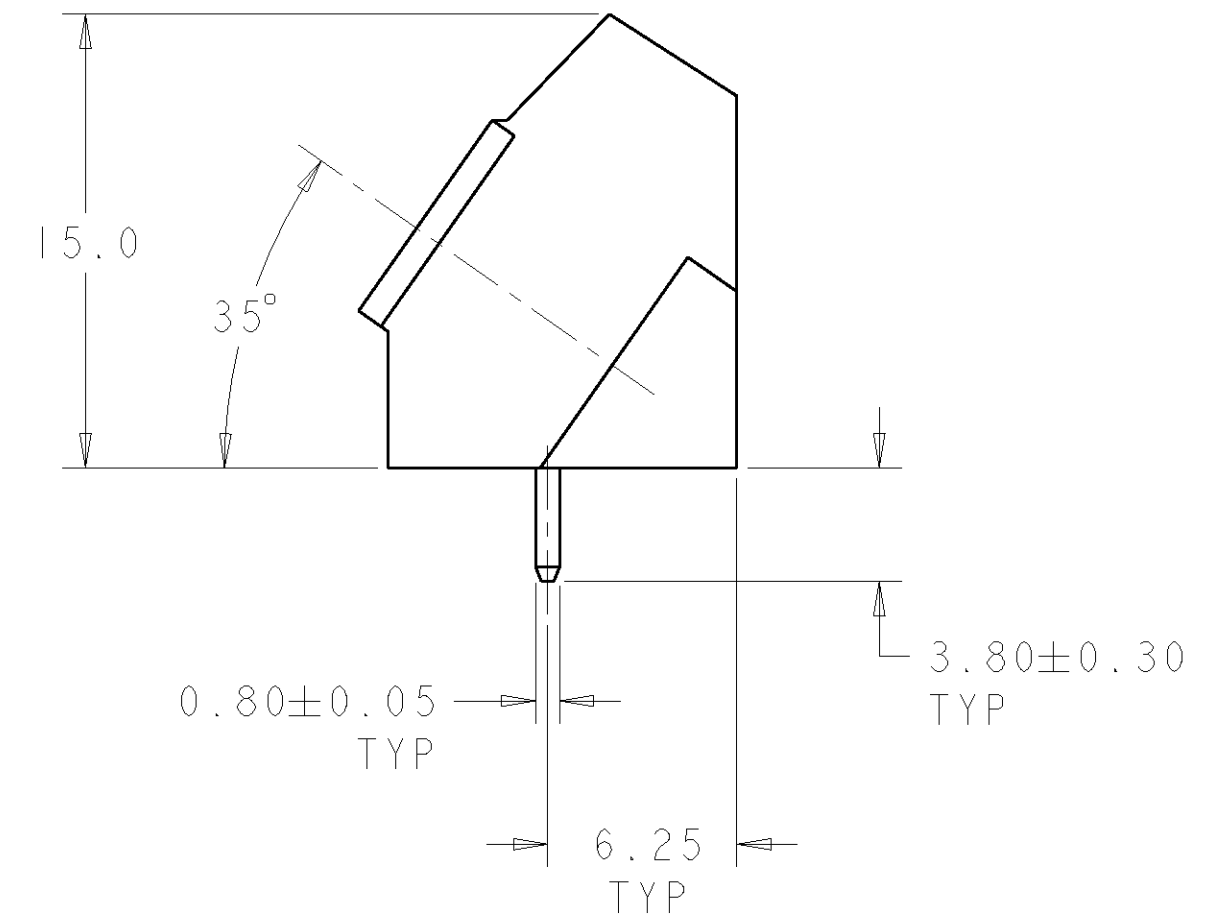
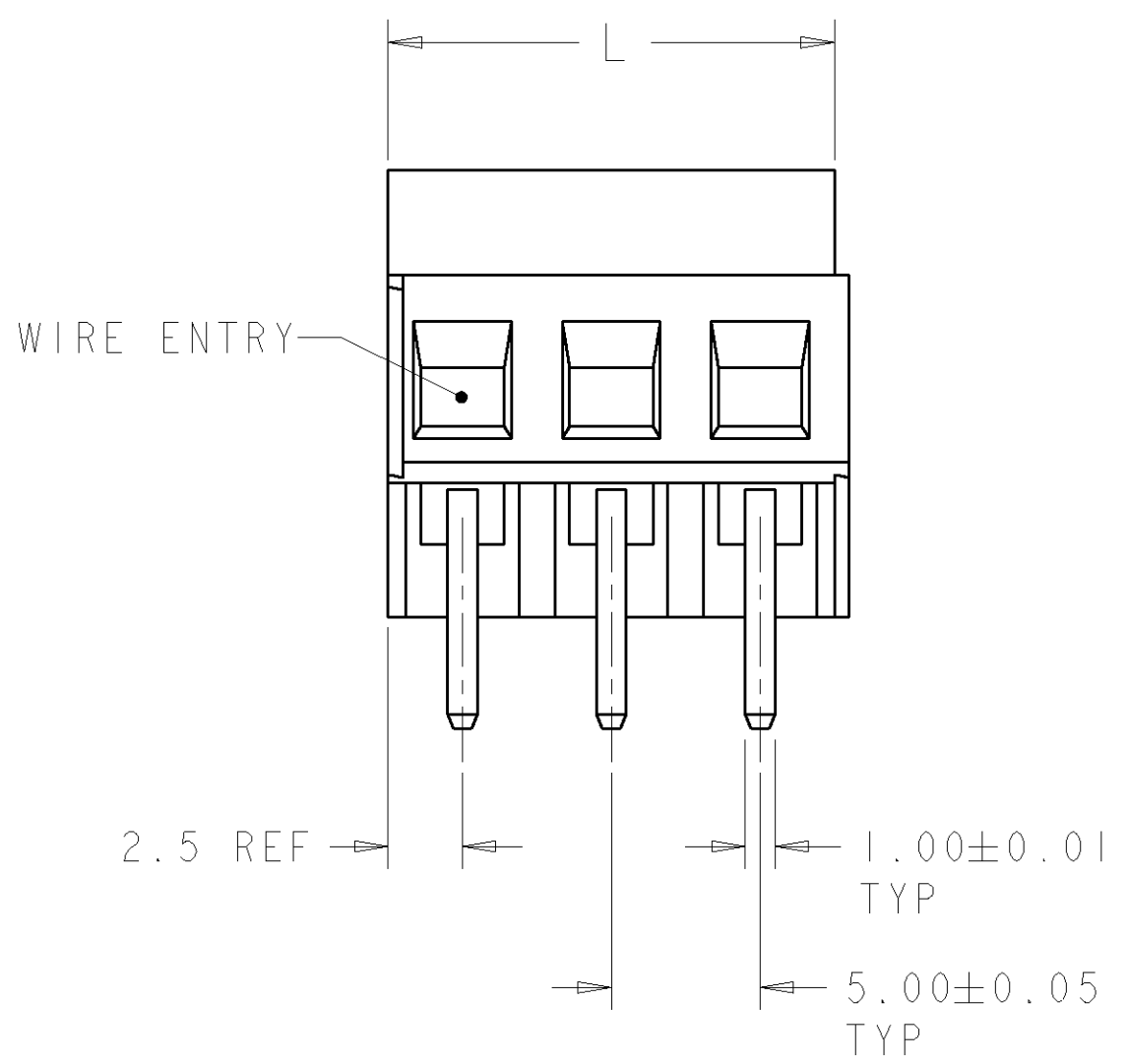


THIS DRAWING IS UNPUBLISHED. RELEASED FOR PUBLICATION 20  
 © COPYRIGHT BY ALL RIGHTS RESERVED.

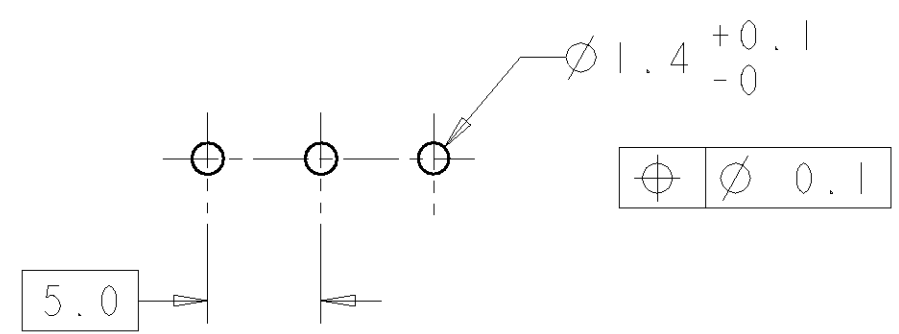
LOC	DIST	REVISIONS			
P	LTR	DESCRIPTION	DATE	DWN	APVD
FT	0				
	A1	REVISED PER ECO-11-005294	30APR11	RK	HMR



- ⚠ MATERIALS AND FINISH:  
 HOUSING: PA 6-6, UL 94-V0, COLOR: BLACK.  
 CLAMP: BRASS, NICKEL PLATED.  
 TERMINAL: BRASS, TIN PLATED.  
 CLAMPING SCREW: M3, BRASS, NICKEL PLATED.
- SUITABLE FOR 1,6-2,4mm PCB THICKNESS.
  - END-TO-END STACKABLE W/INTERLOCK, WITHOUT LOSS OF CENTERLINE SPACING.
  - WIRE RANGE: 12-30 AWG.
  - RECOGNIZED UNDER THE COMPONENT PROGRAM OF UNDERWRITERS LABORATORIES INC. FILE N° E60677.
  - IMQ CERTIFICATE WITH SURVEILLANCE IN CONFORMITY WITH IEC 998-1/998-2-1.
- ⚠ NOT CUMULATIVE TOLERANCE.



120.0	24	2-796689-4
115.0	23	2-796689-3
110.0	22	2-796689-2
105.0	21	2-796689-1
100.0	20	2-796689-0
95.0	19	1-796689-9
90.0	18	1-796689-8
85.0	17	1-796689-7
80.0	16	1-796689-6
75.0	15	1-796689-5
70.0	14	1-796689-4
65.0	13	1-796689-3
60.0	12	1-796689-2
55.0	11	1-796689-1
50.0	10	1-796689-0
45.0	9	796689-9
40.0	8	796689-8
35.0	7	796689-7
30.0	6	796689-6
25.0	5	796689-5
20.0	4	796689-4
15.0	3	796689-3
10.0	2	796689-2
L	NO OF POSN	PART NUMBER



RECOMMENDED PC BOARD LAYOUT

DIMENSIONS: mm 		TOLERANCES UNLESS OTHERWISE SPECIFIED: 0 PLC ±.3 1 PLC ±.3 2 PLC ±.25 3 PLC ±. 4 PLC ±. ANGLES ±2 FINISH		DWN S.WELDON 02SEP2003 CHK C.RICHARD 02SEP2003 APVD C.RICHARD 02SEP2003 PRODUCT SPEC 108-20166 APPLICATION SPEC 114-20079 WEIGHT - CUSTOMER DRAWING		<b>TE Connectivity</b> NAME: TERMINAL BLOCK, PCB MOUNT ANGLED WIRE ENTRY, STACKING W/INTERLOCK, 5.00mm PITCH SIZE: A2 CAGE CODE: 00779 DRAWING NO: 796689 RESTRICTED TO: - SCALE: 3:1 SHEET: 1 OF 1 REV: A1	
--------------------	--	---	--	---	--	---	--

## X-ON Electronics

Largest Supplier of Electrical and Electronic Components

*Click to view similar products for [Fixed Terminal Blocks](#) category:*

*Click to view products by [TE Connectivity](#) manufacturer:*

Other Similar products are found below :

[MBE-1512](#) [MBE-154](#) [MBE-156](#) [MBES-153](#) [MBES-156](#) [MH-2512](#) [MHE-132](#) [MHE-163](#) [MI-254 \(35\)](#) [MI-272](#) [880507](#) [MPT-275](#)  
[15602-04-08-21](#) [ELM023100](#) [BA311TU](#) [BA411SU](#) [MV-152](#) [MV-252-D](#) [MV-253/NCNOC](#) [MV-254-D](#) [MV-255](#) [MV-462](#) [MV-493](#) [MVE-](#)  
[252](#) [MVE-253](#) [MVE-273](#) [MVEB-153](#) [1700096](#) [1705142](#) [1712417](#) [1713020](#) [1713088](#) [1745195](#) [1760594](#) [1776118-2](#) [1790852](#) [1-796689-8](#)  
[1-796692-6](#) [1800001](#) [1800114](#) [1995279](#) [20020314-C121B01LF](#) [20020316-G041B01LF](#) [CB2-12](#) [KP03215000J0G](#) [KP04215000J0G](#) [S451](#)  
[282802-2](#) [29.007](#) [29.116](#)