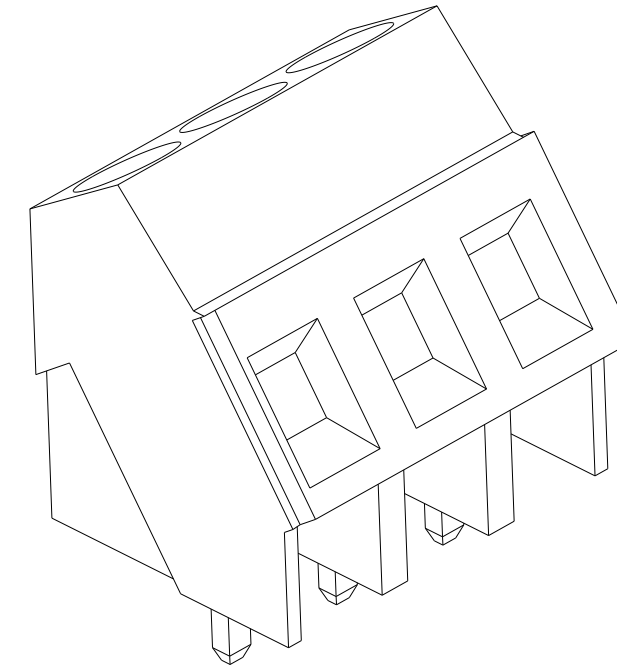
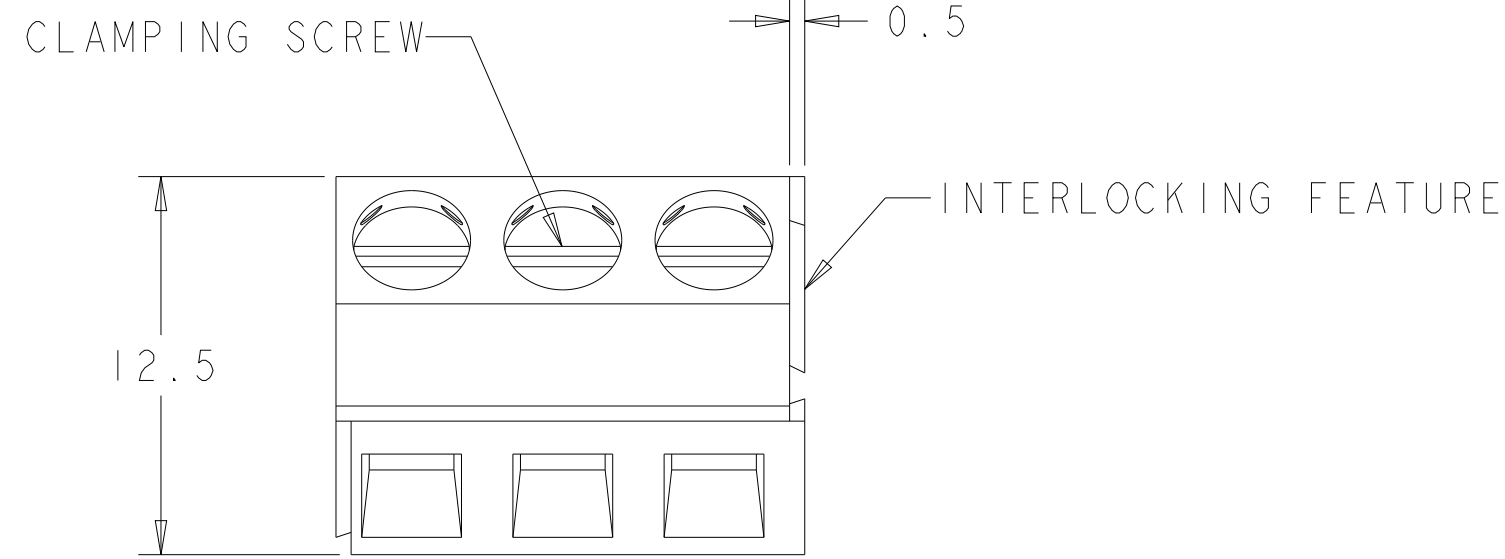
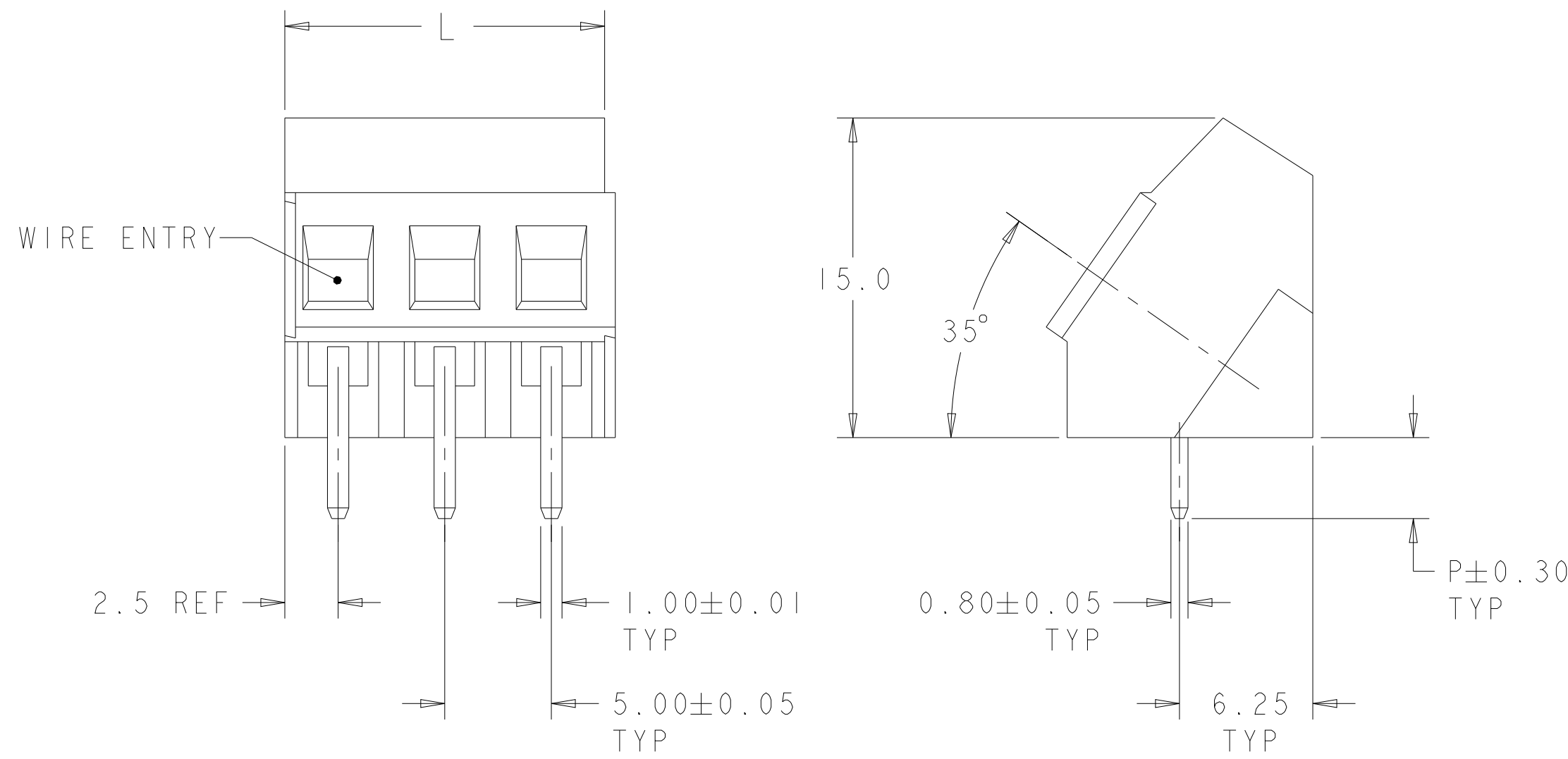


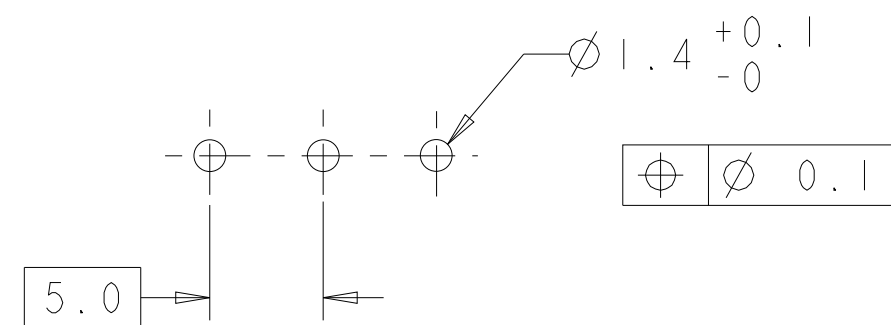
P	LTR	DESCRIPTION	DATE	DWN	APVD
E3		REVISED PER ECO-11-008211	21APR2011	HMR	CR
E4		PART STATUS UPDATED	19OCT2021	SCB	SS



796690-3 AS SHOWN



OBSOLETE	BLACK	SEE DETAIL J	3.8	10	2	<del>5-796690-6</del>
OBSOLETE	BLACK	SEE DETAIL H	3.8	10	2	<del>5-796690-5</del>
OBSOLETE	BLACK	SEE DETAIL G	3.8	10	2	<del>5-796690-4</del>
OBSOLETE	-	-	6.0	15	3	<del>5-796690-3</del>
OBSOLETE	-	-		10	2	<del>5-796690-2</del>
OBSOLETE	△9	SEE DETAIL B	3.8	10	2	<del>4-796690-2</del>
OBSOLETE	△8	SEE DETAIL F		40	8	<del>3-796690-8</del>
OBSOLETE	△9	SEE DETAIL C		15	3	<del>3-796690-3</del>
OBSOLETE	-	-	6.0	100	20	2-796690-0
OBSOLETE	△9	SEE DETAIL C		15	3	+796690-9
OBSOLETE	△9	SEE DETAIL B		10	2	+796690-8
OBSOLETE	-	-		15	3	+796690-7
OBSOLETE	-	-	3.8	10	2	+796690-6
OBSOLETE	△8	SEE DETAIL E		25	5	+796690-5
OBSOLETE	△8	SEE DETAIL D		20	4	+796690-4
OBSOLETE	△8	SEE DETAIL A		10	2	+796690-3
-	-	-		60	12	1-796690-2
-	-	-		55	11	1-796690-1
-	-	-		50	10	1-796690-0
-	-	-		45	9	796690-9
-	-	-		40	8	796690-8
-	-	-		35	7	796690-7
-	-	-	30	6	796690-6	
-	-	-	25	5	796690-5	
-	-	-	20	4	796690-4	
-	-	-	15	3	796690-3	
-	-	-	10	2	796690-2	
INK COLOR	MARKING	P	L	NO OF POSN	PART NUMBER	



RECOMMENDED PC BOARD LAYOUT

THIS DRAWING IS A CONTROLLED DOCUMENT.

DWN: E. ZANOLINI 14MAR2001  
 CHK: D. BIEVENOUR 14MAR2001  
 APVD: D. BIEVENOUR 14MAR2001

**STE** TE Connectivity

NAME: TERMINAL BLOCK, PCB MOUNT  
 ANGLED WIRE ENTRY, STACKING  
 W/INTERLOCK, 5mm PITCH

PRODUCT SPEC: 108-20166  
 APPLICATION SPEC: 114-20079

SIZE: A2 CAGE CODE: 00779 DRAWING NO: C-796690 RESTRICTED TO: -

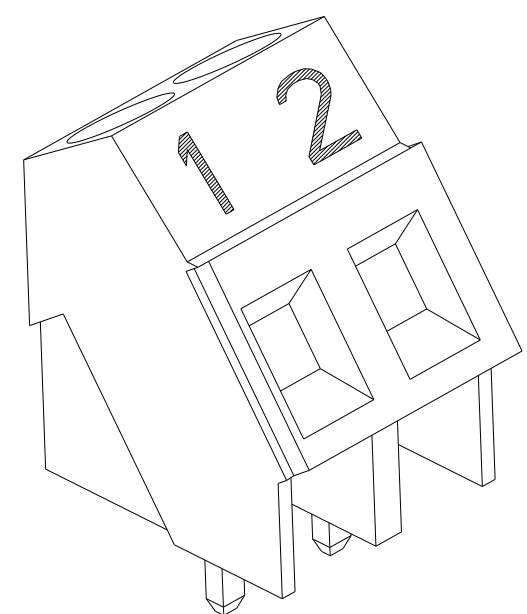
MATERIAL: FINISH:

WEIGHT: -

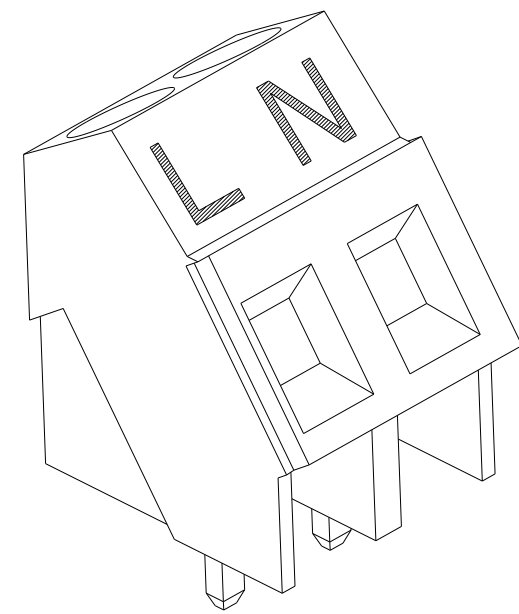
CUSTOMER DRAWING SCALE: 3:1 SHEET: 1 OF 2 REV: E4

REVISIONS

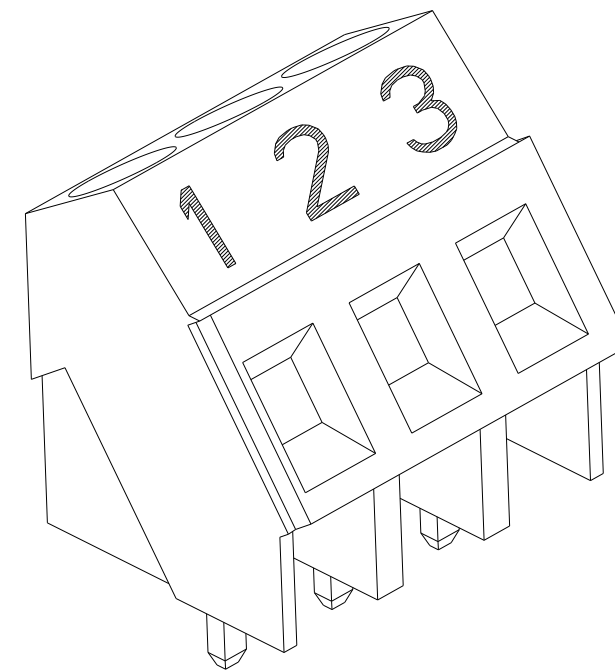
P	LTR	DESCRIPTION	DATE	DWN	APVD
-	-	SEE SHEET 1	-	-	-



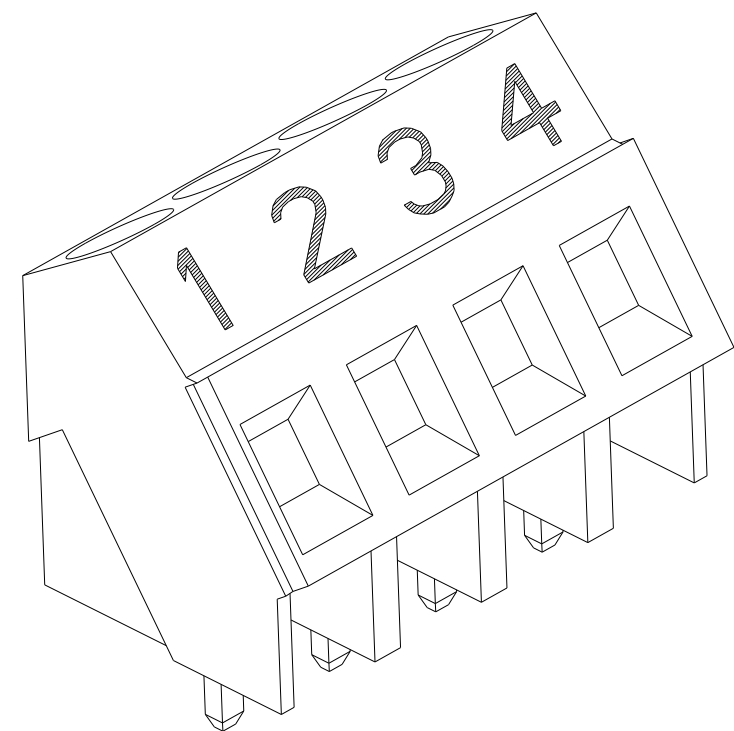
DETAIL A



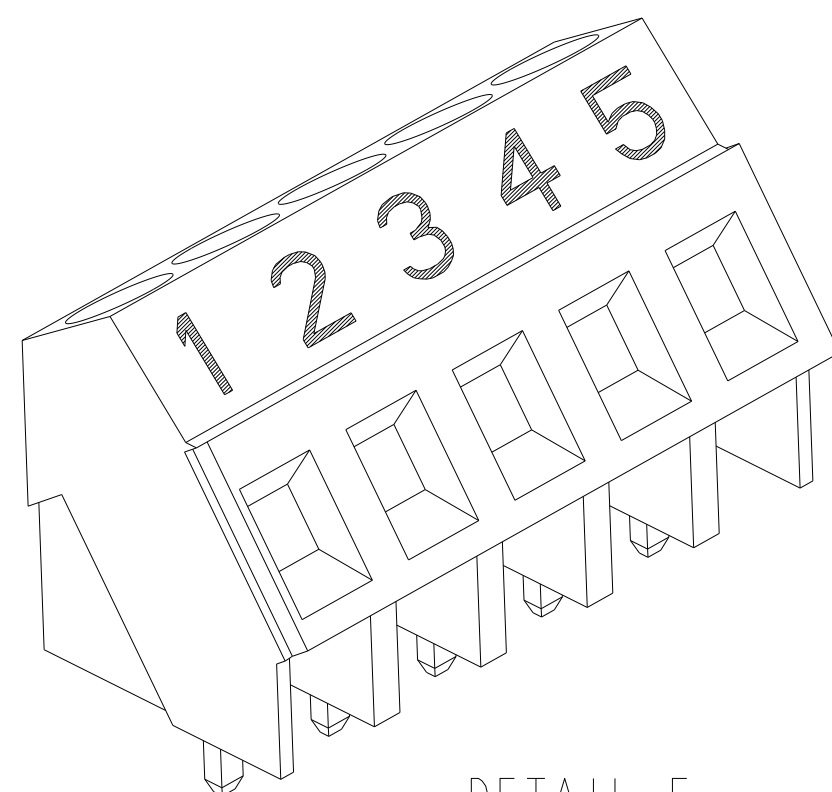
DETAIL B



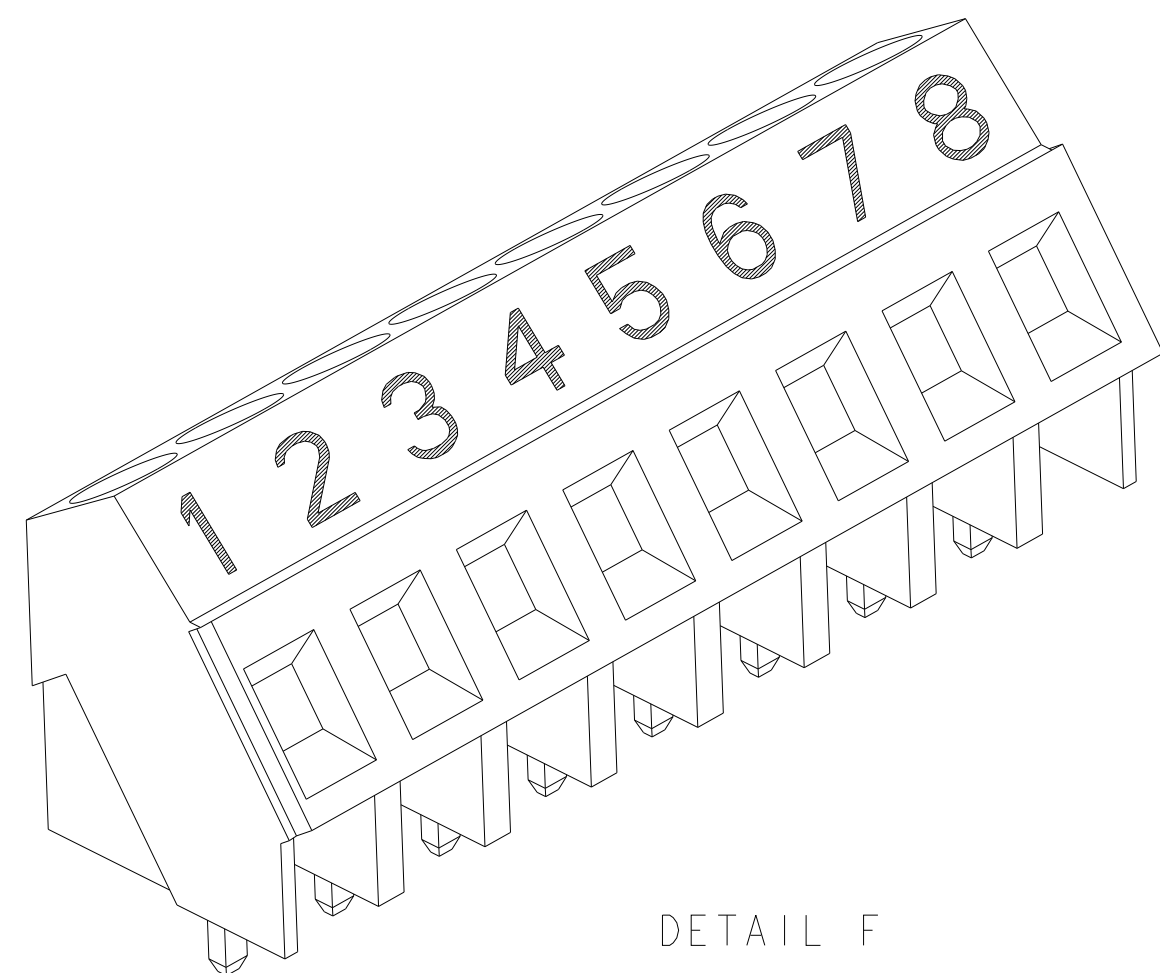
DETAIL C



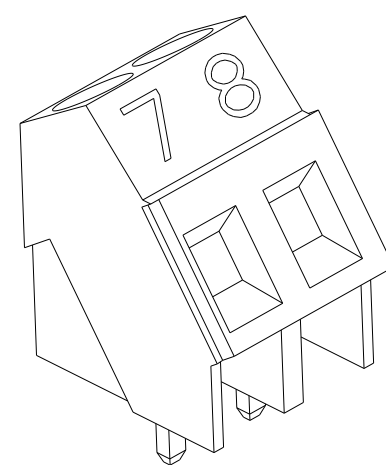
DETAIL D



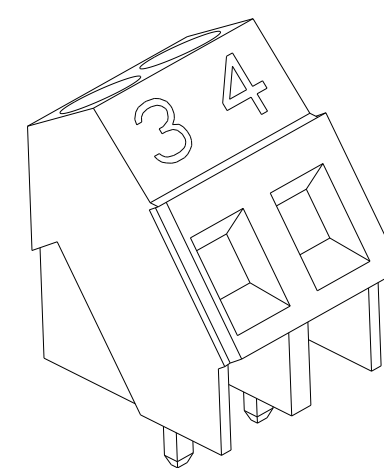
DETAIL E



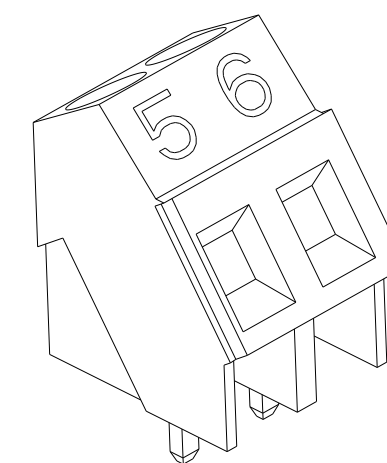
DETAIL F



DETAIL G



DETAIL H



DETAIL J

- 1. MATERIALS AND FINISH:  
HOUSING: PA 6-6, UL 94-V0, COLOR GREEN.  
CLAMP: BRASS, NICKEL PLATED.  
TERMINAL: BRASS, TIN PLATED.  
CLAMPING SCREW: M3, BRASS, NICKEL PLATED.
- 2. SUITABLE FOR 1,6-2,4mm PCB THICKNESS.
- 3. END-TO-END STACKABLE W/INTERLOCK, WITHOUT LOSS OF CENTERLINE SPACING.
- 4. WIRE RANGE: 12-30 AWG.
- 5. RECOGNIZED UNDER THE COMPONENT PROGRAM OF UNDERWRITERS LABORATORIES INC. FILE N° E60677.
- 6. IMQ CERTIFICATE WITH SURVEILLANCE IN CONFORMITY WITH IEC 998-1/998-2-1.
- 7. NOT CUMULATIVE TOLERANCE.
- 8. INK MARKED WHITE, UNLESS OTHERWISE SPECIFIED. NUMERICAL SEQUENCE FROM LEFT TO RIGHT.
- 9. INK MARKED BLACK, UNLESS OTHERWISE SPECIFIED. NUMERICAL SEQUENCE FROM LEFT TO RIGHT.
- 10. BUCHANAN LOGO TO APPEAR ON HOUSING, LOCATION OPTIONAL, WHERE SPACE PERMITS.

THIS DRAWING IS A CONTROLLED DOCUMENT.		DWN E. ZANOLINI 14MAR2001	<b>TE Connectivity</b>	
DIMENSIONS: mm		CHK D. BIEVENOUR 14MAR2001		
TOLERANCES UNLESS OTHERWISE SPECIFIED:		APVD D. BIEVENOUR 14MAR2001	NAME TERMINAL BLOCK, PCB MOUNT ANGLED WIRE ENTRY, STACKING W/INTERLOCK, 5mm PITCH	
0 PLC ±- 1 PLC ±3 2 PLC ±.25 3 PLC ±- 4 PLC ±- ANGLES ±2 FINISH		PRODUCT SPEC 108-20166	SIZE 114-20079	RESTRICTED TO -
MATERIAL		APPLICATION SPEC 114-20079	WEIGHT -	SCALE 3:1
		CUSTOMER DRAWING		SHEET 2 OF 2
		A200779		REV E4
		DRAWING NO C-796690		

## X-ON Electronics

Largest Supplier of Electrical and Electronic Components

*Click to view similar products for [Fixed Terminal Blocks](#) category:*

*Click to view products by [TE Connectivity](#) manufacturer:*

Other Similar products are found below :

[MBE-1512](#) [MBE-1520](#) [MBE-154](#) [MBE-156](#) [MBES-156](#) [MH-2512](#) [MHE-132](#) [MHE-163](#) [MI-254 \(35\)](#) [MI-272](#) [MPT-275](#) [ELM10110G](#)  
[BA311TU](#) [BA411SU](#) [MV-253/NCNOC](#) [MV-254-D](#) [MV-255](#) [MV-493](#) [MVE-252](#) [MVE-253](#) [MVE-273](#) [MVEB-153](#) [1700096](#) [1705142](#)  
[1712417](#) [1713088](#) [1745195](#) [1760594](#) [1-796689-8](#) [1-796692-6](#) [1800114](#) [20020314-C121B01LF](#) [20020316-G041B01LF](#) [KP03215000J0G](#)  
[KP04215000J0G](#) [S451](#) [29.007](#) [29.116](#) [30.103](#) [30.106](#) [30.503](#) [30.608](#) [30.755](#) [30.853](#) [9872-0-00-15-00-00-33-0](#) [996750](#) [1706303](#) [1710052](#)  
[1712418](#) [1733868](#)