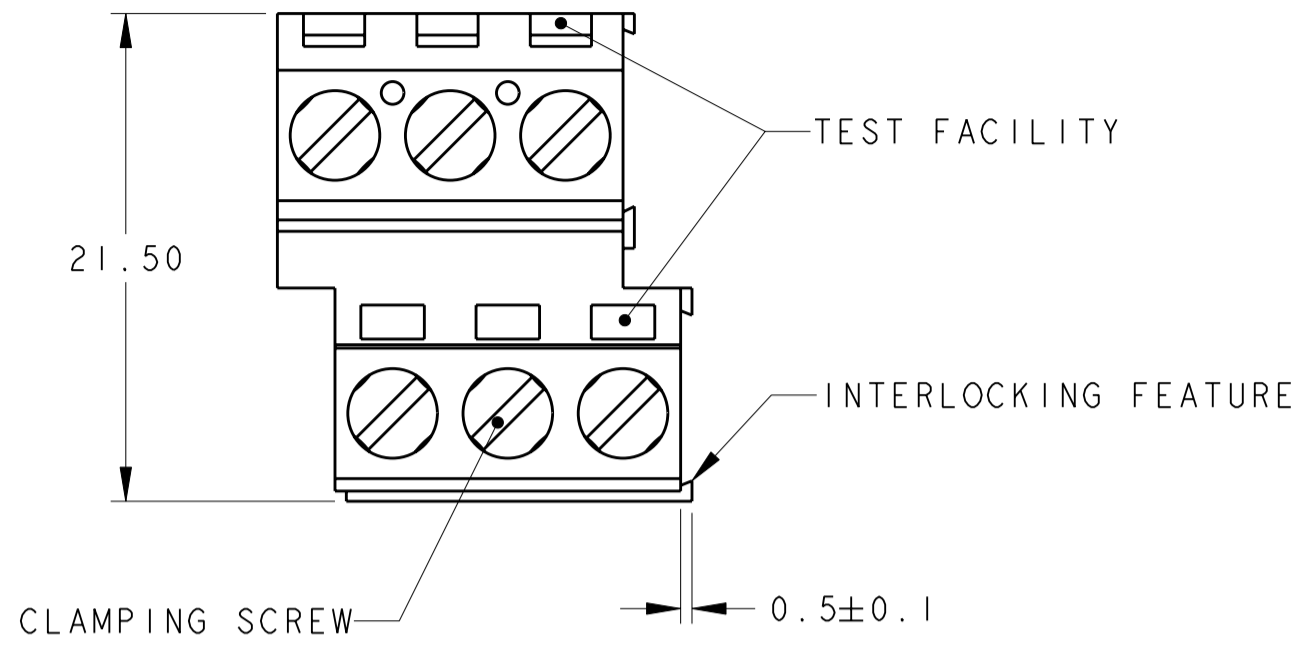
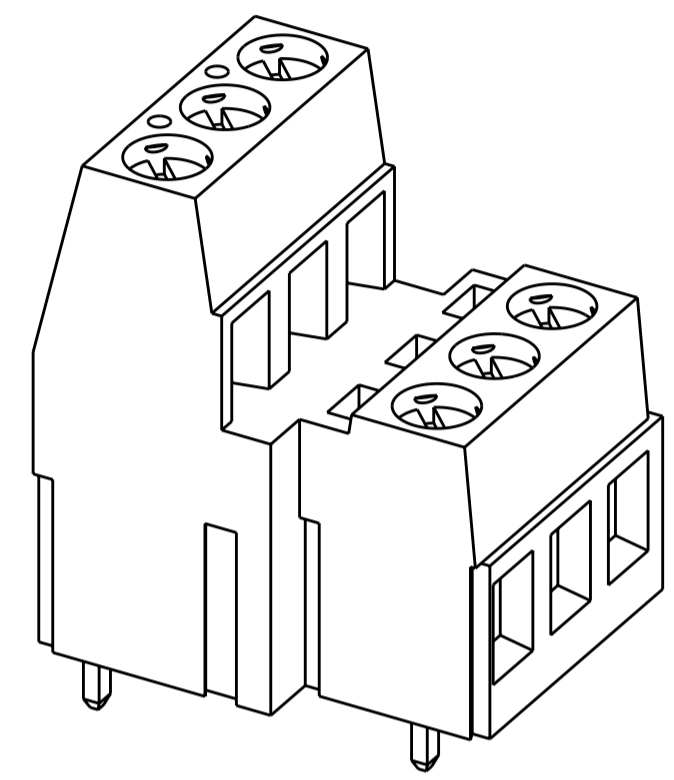


THIS DRAWING IS UNPUBLISHED. RELEASED FOR PUBLICATION 20
 © COPYRIGHT 20 BY ALL RIGHTS RESERVED.

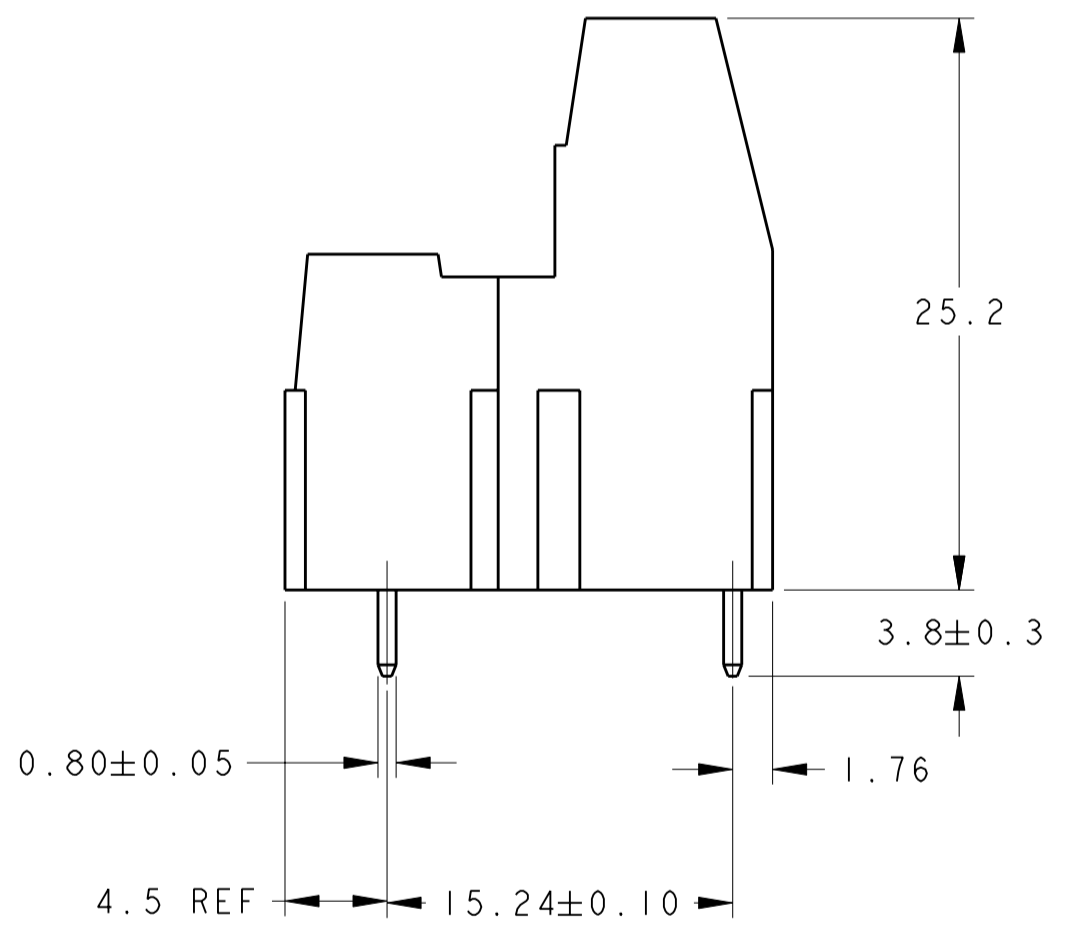
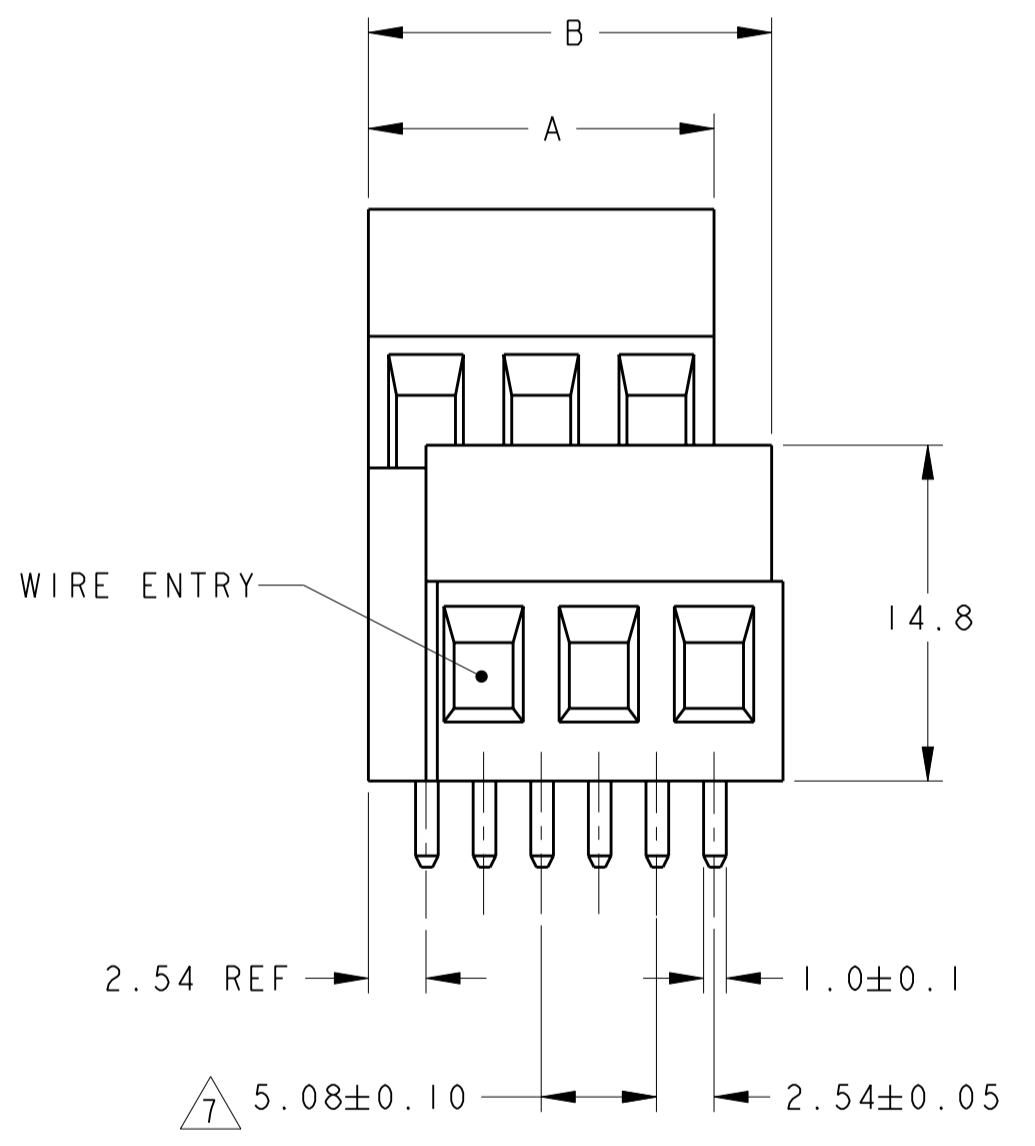
| LOC | | DIST | | REVISIONS | | | |
|-----|-----|-------------|----------------------------|-----------|------|-----|--|
| P | LTR | DESCRIPTION | DATE | DWN | APVD | | |
| FT | 0 | E2 | REVISIED PER ECO-11-005027 | 16MAR2011 | RK | HMR | |



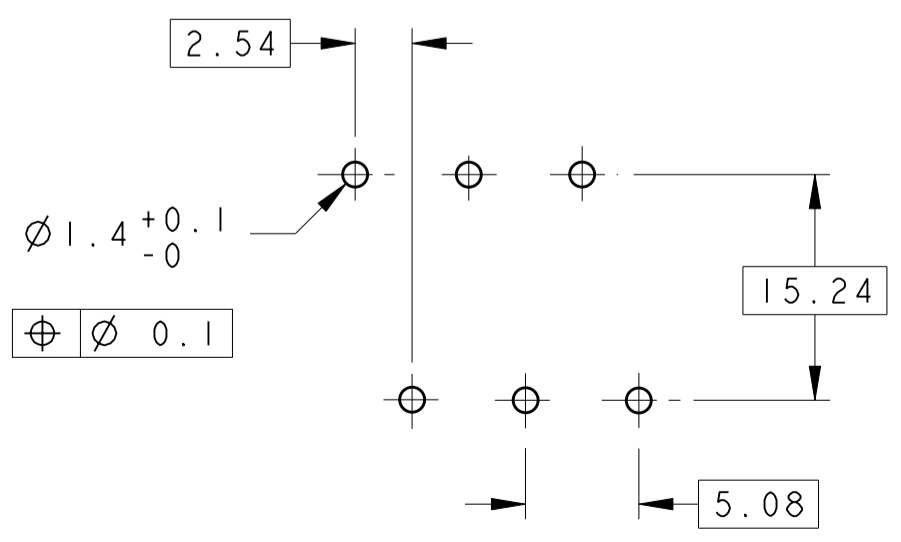
- 1. MATERIALS AND FINISH
 HOUSING: PA 6-6, UL 94-V0, COLOR GREEN.
 CLAMP: BRASS, NICKEL PLATED.
 TERMINAL: BRASS, TIN PLATED.
 CLAMPING SCREW: M3, BRASS, NICKEL PLATED.
- 2. SUITABLE FOR 1,6-2,4mm PC BOARD THICKNESS.
- 3. END-TO-END STACKABLE W/INTERLOCK WITHOUT LOSS OF CENTERLINE SPACING.
- 4. WIRE SIZE RANGE: 12-30 AWG.
- 5. RECOGNIZED UNDER THE COMPONENT PROGRAM OF UNDERWRITERS LABORATORIES INC., FILE N° E60677.
- 6. IMQ CERTIFICATE WITH SURVEILLANCE IN CONFORMITY WITH IEC 998-1/998-2-1.
- 7. NOT CUMULATIVE TOLERANCE.
- 8. SCREWS BOTTOMED IN TERMINAL BLOCK TO CLOSE CAGE CLAMP.
- 9. BUCHANAN LOGO TO APPEAR ON HOUSING, LOCATION OPTIONAL WHERE SPACE PERMITS.



796692-3 AS SHOWN



| | | | |
|-------|-------|------------|-------------|
| 83.82 | 81.28 | 16 | 1-796692-6 |
| 17.78 | 15.24 | 3 | 1-796692-3 |
| 63.50 | 60.96 | 12 | 1-796692-2 |
| 58.42 | 55.88 | 11 | 1-796692-1 |
| 53.34 | 50.80 | 10 | 1-796692-0 |
| 48.26 | 45.72 | 9 | 796692-9 |
| 43.18 | 40.64 | 8 | 796692-8 |
| 38.10 | 35.56 | 7 | 796692-7 |
| 33.02 | 30.48 | 6 | 796692-6 |
| 27.94 | 25.40 | 5 | 796692-5 |
| 22.86 | 20.32 | 4 | 796692-4 |
| 17.78 | 15.24 | 3 | 796692-3 |
| 12.70 | 10.16 | 2 | 796692-2 |
| B | A | NO OF POSN | PART NUMBER |



RECOMMENDED PC BOARD LAYOUT

| | | | | |
|--|--|----------------------------|------------------------------------|---------------|
| THIS DRAWING IS A CONTROLLED DOCUMENT. | | DWN S.WELDON 21FEB2002 | TE Connectivity | |
| DIMENSIONS: mm | | CHK D.BIEVENOUR 21FEB2002 | | |
| TOLERANCES UNLESS OTHERWISE SPECIFIED: | | APVD D.BIEVENOUR 21FEB2002 | NAME | |
| 0 PLC ± | | PRODUCT SPEC | TERMINAL BLOCK, PCB MOUNT | |
| 1 PLC ±0.3 | | APPLICATION SPEC | 1ST AND 2ND LEVEL | |
| 2 PLC ±0.25 | | 108-20166 | STACKING W/INTERLOCK, 5.08mm PITCH | |
| 3 PLC ± | | 114-20079 | SIZE | RESTRICTED TO |
| 4 PLC ± | | WEIGHT | A200779C-796692 | - |
| ANGLES ±2 | | CUSTOMER DRAWING | SCALE 3:1 | SHEET 1 OF 1 |
| FINISH | | | REV E2 | |

X-ON Electronics

Largest Supplier of Electrical and Electronic Components

Click to view similar products for [Fixed Terminal Blocks](#) category:

Click to view products by [TE Connectivity](#) manufacturer:

Other Similar products are found below :

[MBE-1512](#) [MBE-154](#) [MBE-156](#) [MBES-153](#) [MBES-156](#) [MH-2512](#) [MHE-132](#) [MHE-163](#) [MI-254 \(35\)](#) [MI-272](#) [880507](#) [MPT-275](#)
[15602-04-08-21](#) [ELM023100](#) [BA311TU](#) [BA411SU](#) [MV-152](#) [MV-252-D](#) [MV-253/NCNOC](#) [MV-254-D](#) [MV-255](#) [MV-462](#) [MV-493](#) [MVE-](#)
[253](#) [MVE-273](#) [MVEB-153](#) [1700096](#) [1705142](#) [1712417](#) [1713020](#) [1713088](#) [1745195](#) [1760594](#) [1776118-2](#) [1790852](#) [1-796689-8](#) [1-796692-6](#)
[1800001](#) [1800114](#) [1995279](#) [20020314-C121B01LF](#) [CB2-12](#) [KP03215000J0G](#) [KP04215000J0G](#) [S451](#) [282802-2](#) [29.007](#) [29.116](#) [30.103](#)
[30.106](#)