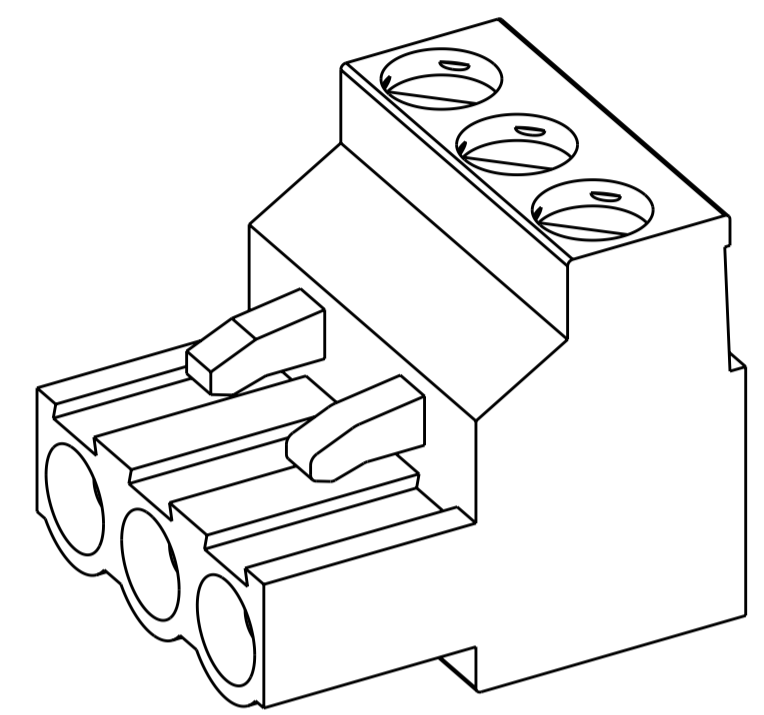
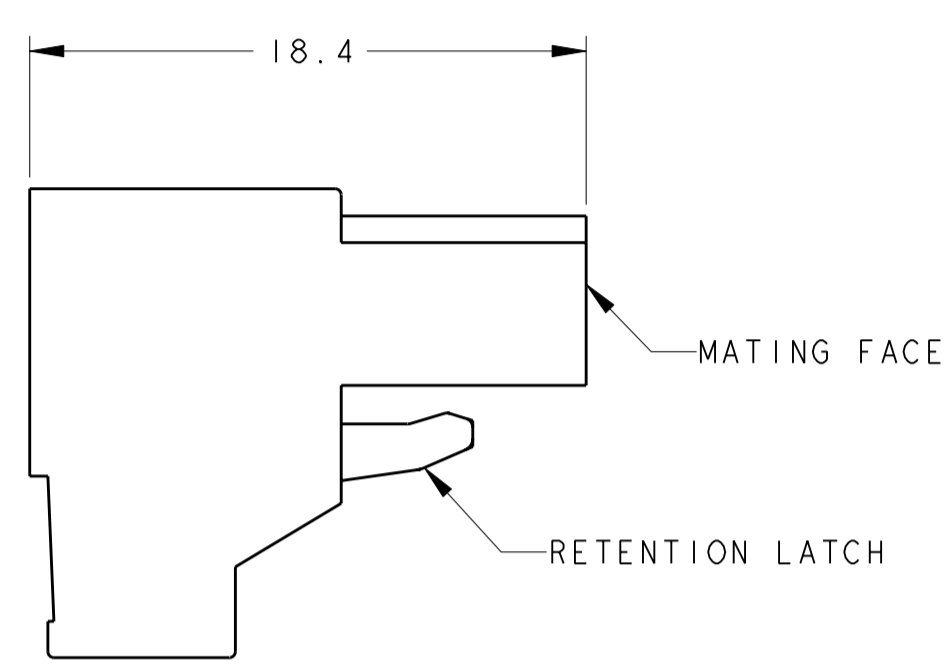
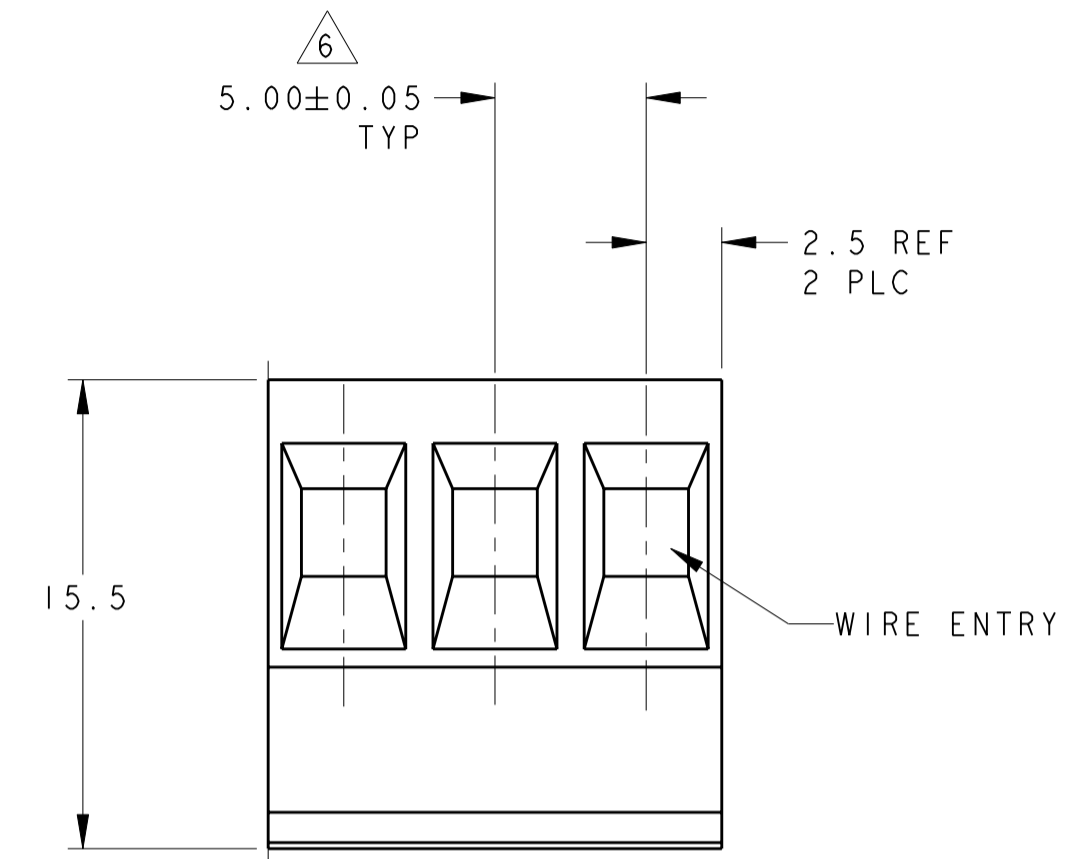
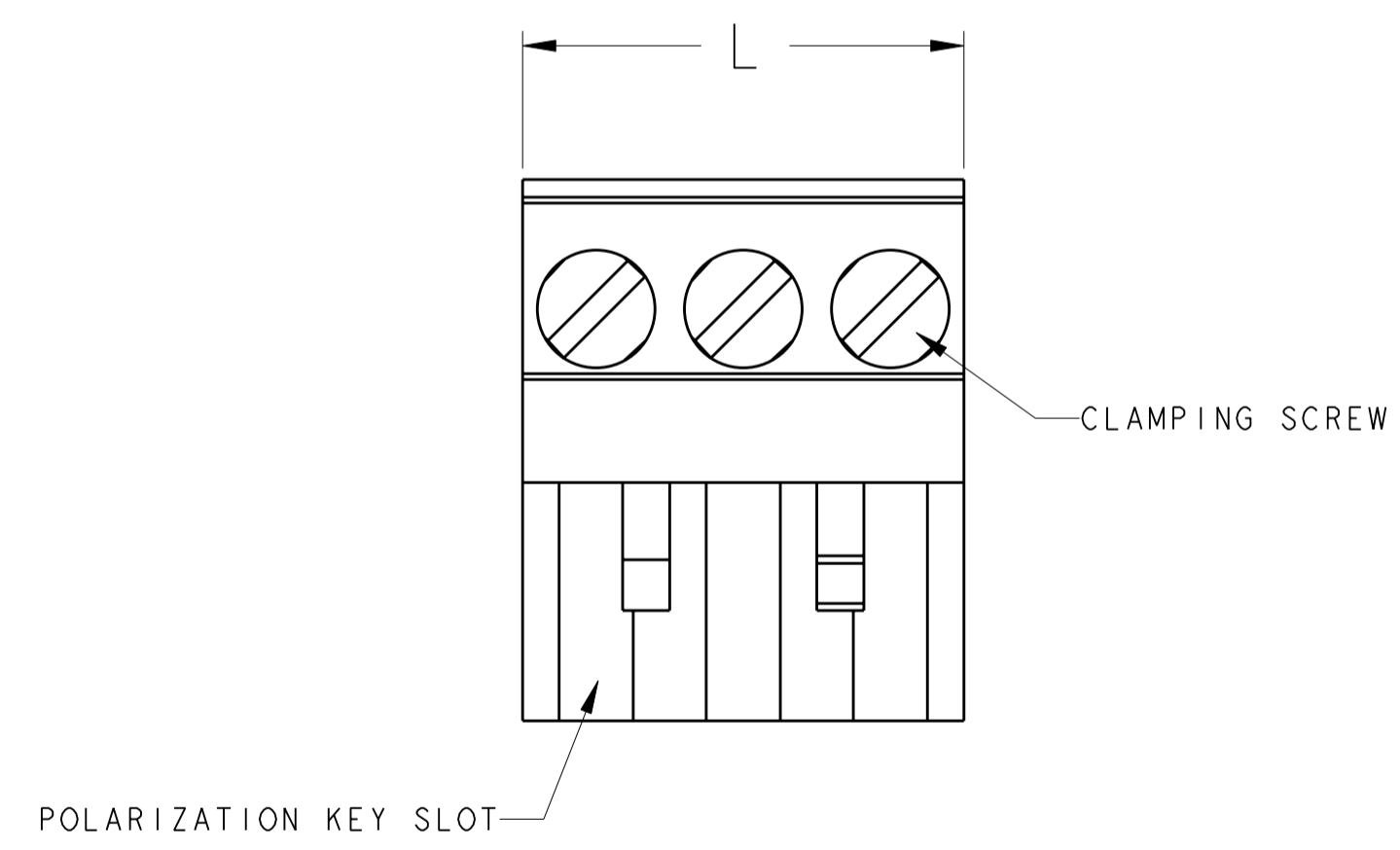


THIS DRAWING IS UNPUBLISHED. RELEASED FOR PUBLICATION 20
 © COPYRIGHT 20 BY ALL RIGHTS RESERVED.

LOC		DIST		REVISIONS			
P	LTR	DESCRIPTION	DATE	DWN	APVD		
FT	0	A2	REVISÉ PER ECO-11-005027	17MAR2011	RK	HMR	



796696-3 AS SHOWN



- 1 MATERIALS AND FINISH:
 HOUSING: PA 6-6, UL 94-V0, COLOR: BLUE.
 CLAMP: BRASS, NICKEL PLATED.
 DOUBLE SIDE CONTACT SPRING: PHOSPHOR BRONZE, TIN PLATED.
 CLAMPING SCREW: M3, BRASS, NICKEL PLATED.
2. END-TO-END STACKABLE WITHOUT LOSS OF CENTERLINE SPACING.
3. WIRE SIZE RANGE: 12-30 AWG.
4. RECOGNIZED UNDER THE COMPONENT PROGRAM OF UNDERWRITERS LABORATORIES INC. FILE N° E60677.
5. IMQ CERTIFICATE WITH SURVEILLANCE IN CONFORMITY WITH IEC 998-1/998-2-1.
- 6 NOT CUMULATIVE TOLERANCE

125.0	25	2-796696-5
120.0	24	2-796696-4
115.0	23	2-796696-3
110.0	22	2-796696-2
105.0	21	2-796696-1
100.0	20	2-796696-0
95.0	19	1-796696-9
90.0	18	1-796696-8
85.0	17	1-796696-7
80.0	16	1-796696-6
75.0	15	1-796696-5
70.0	14	1-796696-4
65.0	13	1-796696-3
60.0	12	1-796696-2
55.0	11	1-796696-1
50.0	10	1-796696-0
45.0	9	796696-9
40.0	8	796696-8
35.0	7	796696-7
30.0	6	796696-6
25.0	5	796696-5
20.0	4	796696-4
15.0	3	796696-3
10.0	2	796696-2
DIM L	NO OF POSN	PART NUMBER

THIS DRAWING IS A CONTROLLED DOCUMENT.		DWN S. WELDON 05FEB2001	TE Connectivity NAME: TERMINAL BLOCK, PLUG, STACKING, 5.00mm PITCH	
DIMENSIONS: mm		CHK D. BIEVENOUR 05FEB2001		
TOLERANCES UNLESS OTHERWISE SPECIFIED:		APVD D. BIEVENOUR 05FEB2001		
0 PLC ± 1 PLC ±0.2 2 PLC ± 3 PLC ± 4 PLC ± ANGLES ± FINISH ±		PRODUCT SPEC - APPLICATION SPEC - WEIGHT -		
MATERIAL		SCALE: 4:1		RESTRICTED TO -
		SIZE: A2 CAGE CODE: 00779 DRAWING NO: C-796696		SHEET 1 OF 1 REV A2
CUSTOMER DRAWING				

X-ON Electronics

Largest Supplier of Electrical and Electronic Components

Click to view similar products for [Pluggable Terminal Blocks](#) category:

Click to view products by [TE Connectivity](#) manufacturer:

Other Similar products are found below :

[57.510.0053](#) [MC 1.5/ 6-ST-3.5 GY AU](#) [ET02015000J0G](#) [734-104](#) [734-302](#) [8-141-P](#) [8426620000](#) [860505](#) [860516](#) [860810](#) [GBPACX-12](#)
[93.731.4953.0](#) [PV05-5,08-K](#) [PVP03-3,50](#) [PVP04-3,50](#) [PVS02-5,00](#) [1-1986160-3](#) [1377680000](#) [1531000000](#) [1546228-5](#) [ELFH16150](#)
[ELFP03110](#) [ELFP10210](#) [ELFT06250](#) [ELVP03100](#) [1700101](#) [1700410](#) [1700425](#) [1702246](#) [1705229](#) [1710175](#) [1714537](#) [1717806](#) [1719600](#)
[1728941](#) [1734692](#) [1734795](#) [1736036](#) [1740194](#) [1740628](#) [1740990](#) [1746952](#) [1750207](#) [1752441](#) [1752865](#) [1754115](#) [1754144](#) [1756913](#)
[1760051](#) [1760336](#)