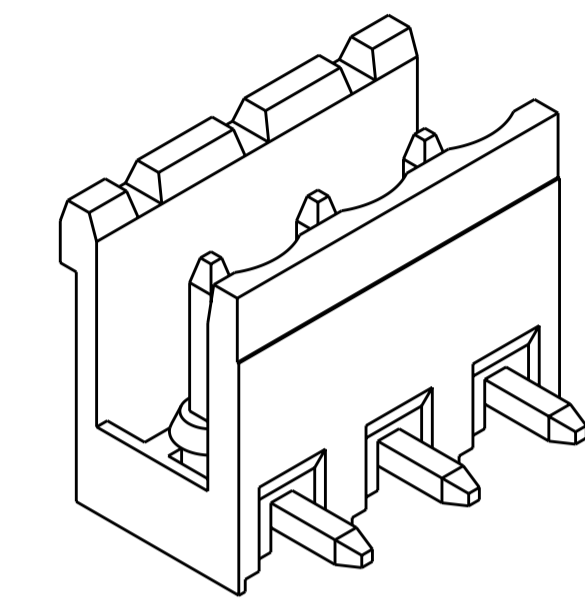
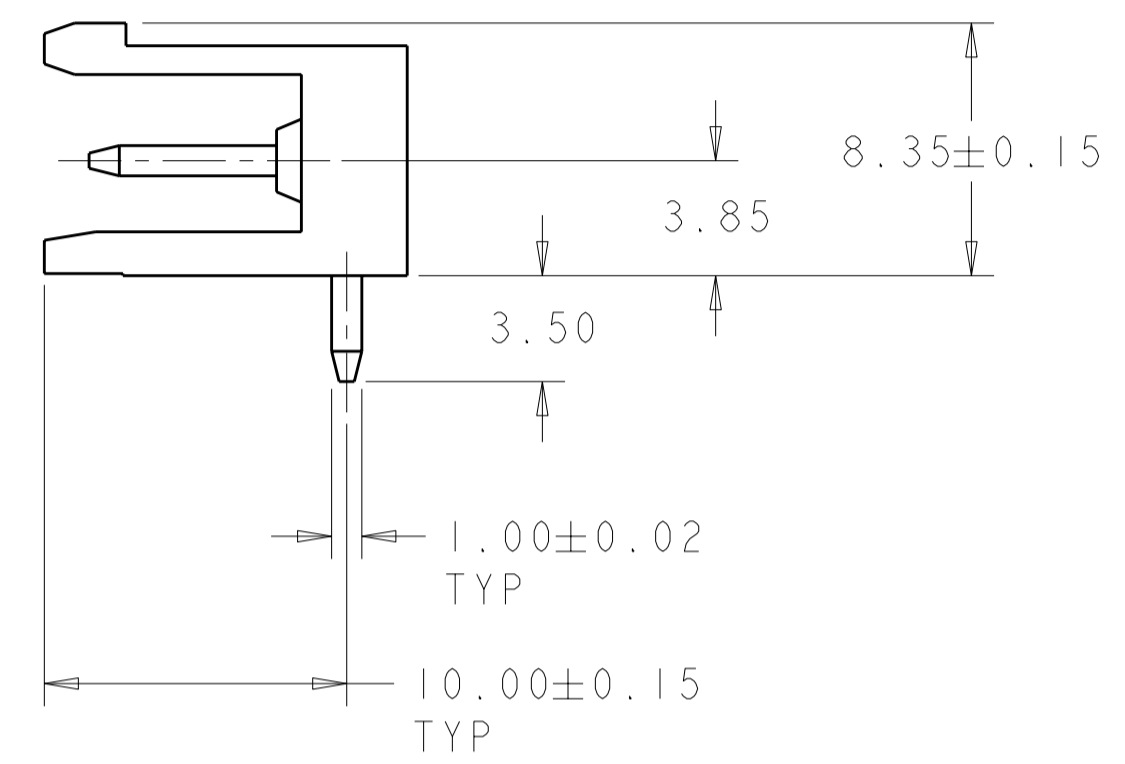
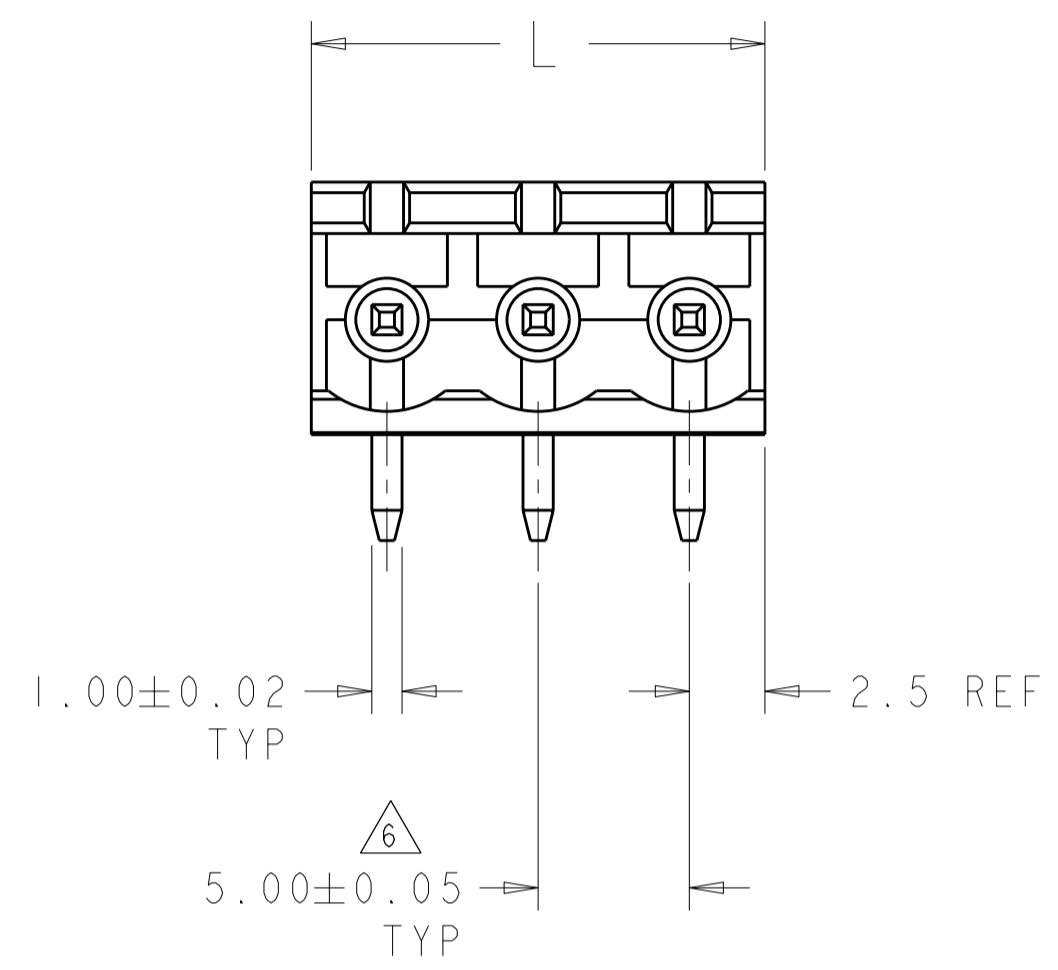
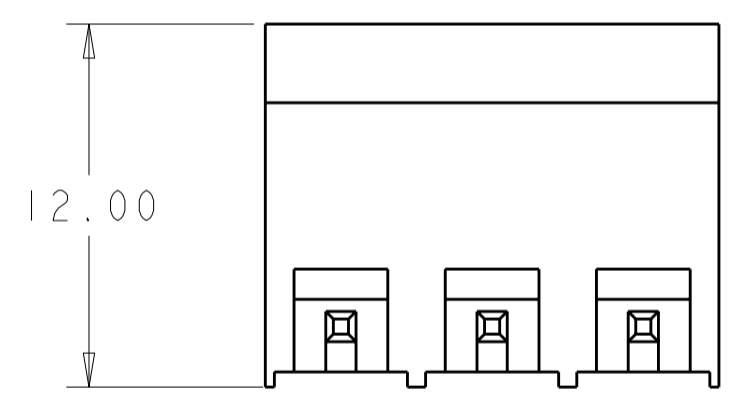


THIS DRAWING IS UNPUBLISHED. RELEASED FOR PUBLICATION 20
 © COPYRIGHT 20 BY - ALL RIGHTS RESERVED.

LOC	DIST	REVISIONS			
P	LTR	DESCRIPTION	DATE	DWN	APVD
FT	0				
	AI	REVISED PER ECO-12-007711	25APR2012	KH	MS

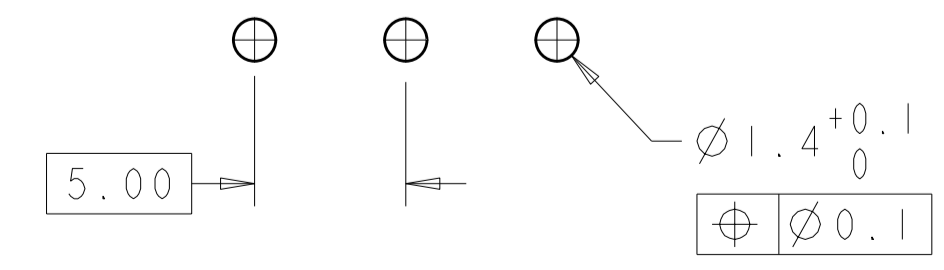


796698-3 AS SHOWN



- 1. MATERIALS AND FINISH
 HOUSING: PA 6-6, UL 94-V0, COLOR: BLUE.
 TERMINAL: COPPER ALLOY, TIN PLATED.
 - 2. SUITABLE FOR 1,6-2,4mm PC BOARD THICKNESS.
 - 3. END-TO-END STACKABLE WITHOUT LOSS OF CENTERLINE SPACING.
 - 4. RECOGNIZED UNDER THE COMPONENT PROGRAM OF UNDERWRITERS LABORATORIES INC. FILE N° E60677.
 - 5. IMQ CERTIFICATE WITH SURVEILLANCE IN CONFORMITY WITH IEC 998-1/998-2-1.
6. NOT CUMULATIVE TOLERANCE.

125.0	25	2-796698-5
120.0	24	2-796698-4
115.0	23	2-796698-3
110.0	22	2-796698-2
105.0	21	2-796698-1
100.0	20	2-796698-0
95.0	19	1-796698-9
90.0	18	1-796698-8
85.0	17	1-796698-7
80.0	16	1-796698-6
75.0	15	1-796698-5
70.0	14	1-796698-4
65.0	13	1-796698-3
60.0	12	1-796698-2
55.0	11	1-796698-1
50.0	10	1-796698-0
45.0	9	796698-9
40.0	8	796698-8
35.0	7	796698-7
30.0	6	796698-6
25.0	5	796698-5
20.0	4	796698-4
15.0	3	796698-3
10.0	2	796698-2
L	NO OF POSN	PART NUMBER



RECOMMENDED PC BOARD LAYOUT

THIS DRAWING IS A CONTROLLED DOCUMENT.		DWN S.WELDON 25OCT2007	TE Connectivity	
DIMENSIONS: mm		CHK C.RICHARD 25OCT2007		
TOLERANCES UNLESS OTHERWISE SPECIFIED:		APVD C.RICHARD 25OCT2007	NAME	
0 PLC ±0		PRODUCT SPEC	TERMINAL BLOCK HEADER ASSEMBLY	
1 PLC ±0.3		108-20166	90 DEGREE, OPEN ENDS, STACKING	
2 PLC ±0.25		APPLICATION SPEC	5.00mm PITCH	
3 PLC ±0.000		114-20079	SIZE	RESTRICTED TO
4 PLC ±0.0000		WEIGHT	A200779	C-796698
ANGLES ±2°		CUSTOMER DRAWING	SCALE 3:1	SHEET 1 OF 1
FINISH			REV AI	

X-ON Electronics

Largest Supplier of Electrical and Electronic Components

Click to view similar products for [Pluggable Terminal Blocks](#) category:

Click to view products by [TE Connectivity](#) manufacturer:

Other Similar products are found below :

[57.510.0053](#) [MC 1.5/ 6-ST-3.5 GY AU](#) [734-104](#) [734-302](#) [8-141-P](#) [8426620000](#) [860505](#) [860516](#) [860810](#) [GBPACX-12](#) [93.731.4953.0](#) [PV05-5,08-K](#) [PVP03-3,50](#) [PVP04-3,50](#) [PVS02-5,00](#) [1-1986160-3](#) [1377680000](#) [1531000000](#) [1546228-5](#) [ELFH16150](#) [ELFP03110](#) [ELFP10210](#) [ELFT06250](#) [ELVP03100](#) [1700101](#) [1700410](#) [1700425](#) [1702246](#) [1705229](#) [1710175](#) [1714537](#) [1717806](#) [1719600](#) [1728941](#) [1734692](#) [1734795](#) [1736036](#) [1740194](#) [1740291](#) [1740628](#) [1740990](#) [1746952](#) [1750207](#) [1752441](#) [1752865](#) [1754115](#) [1754144](#) [1756913](#) [1760051](#) [1760336](#)