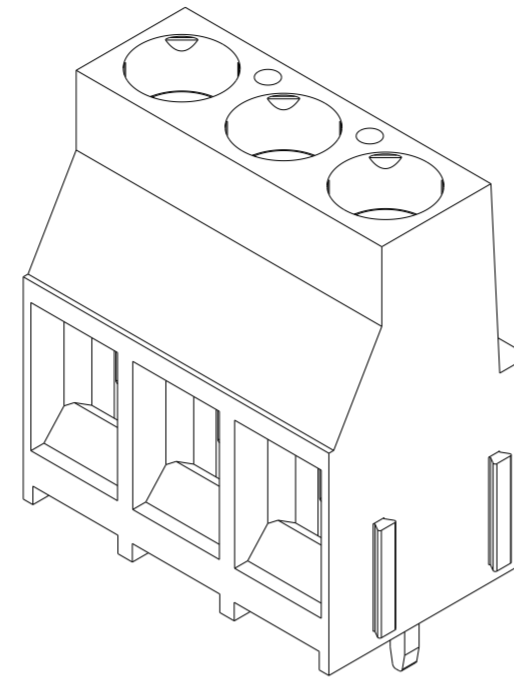
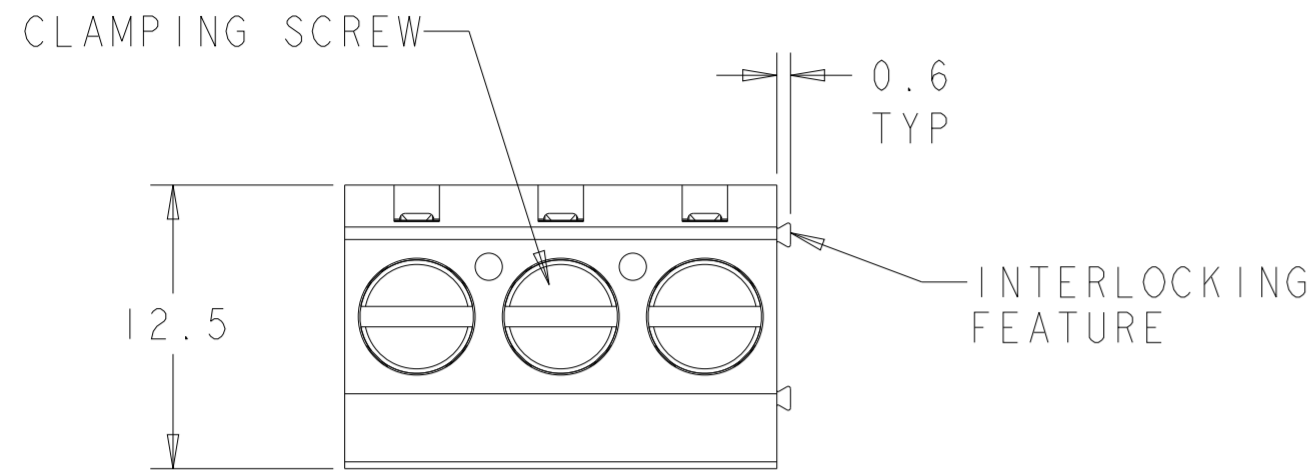


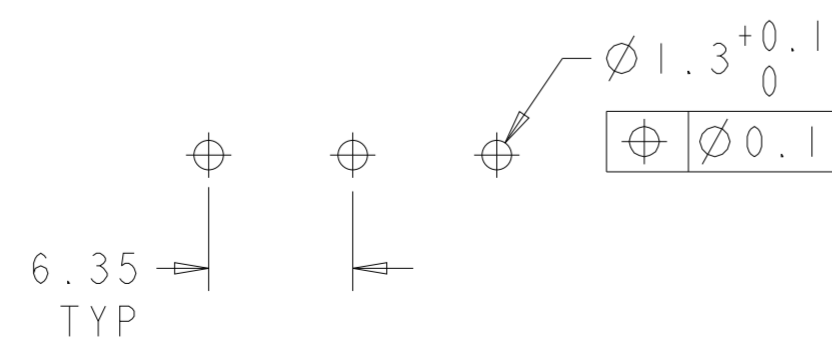
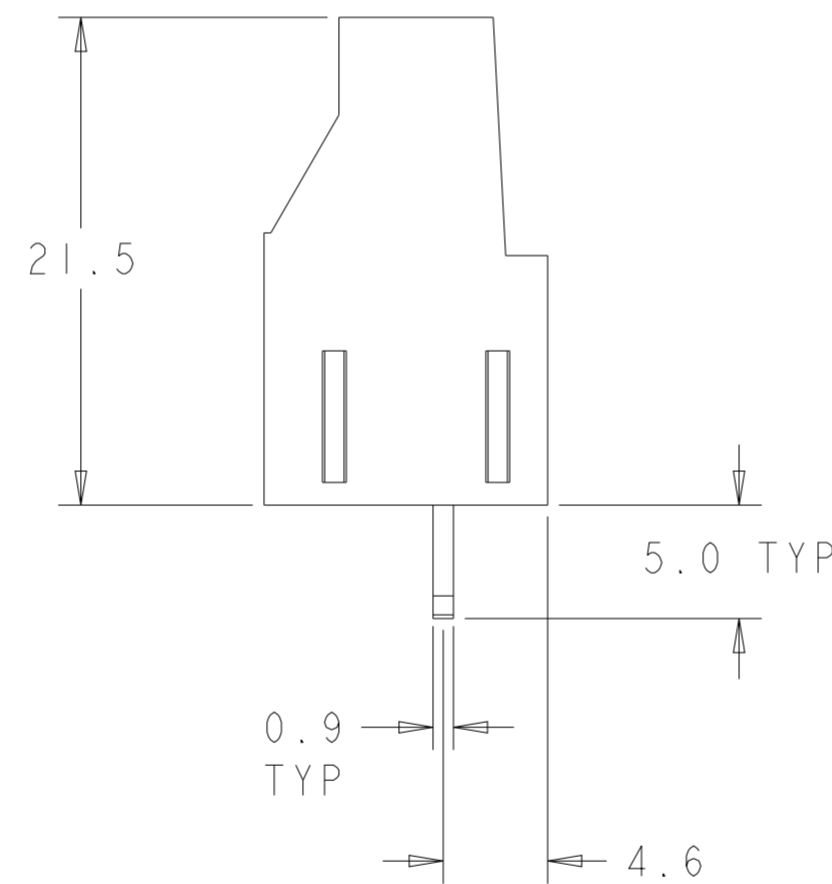
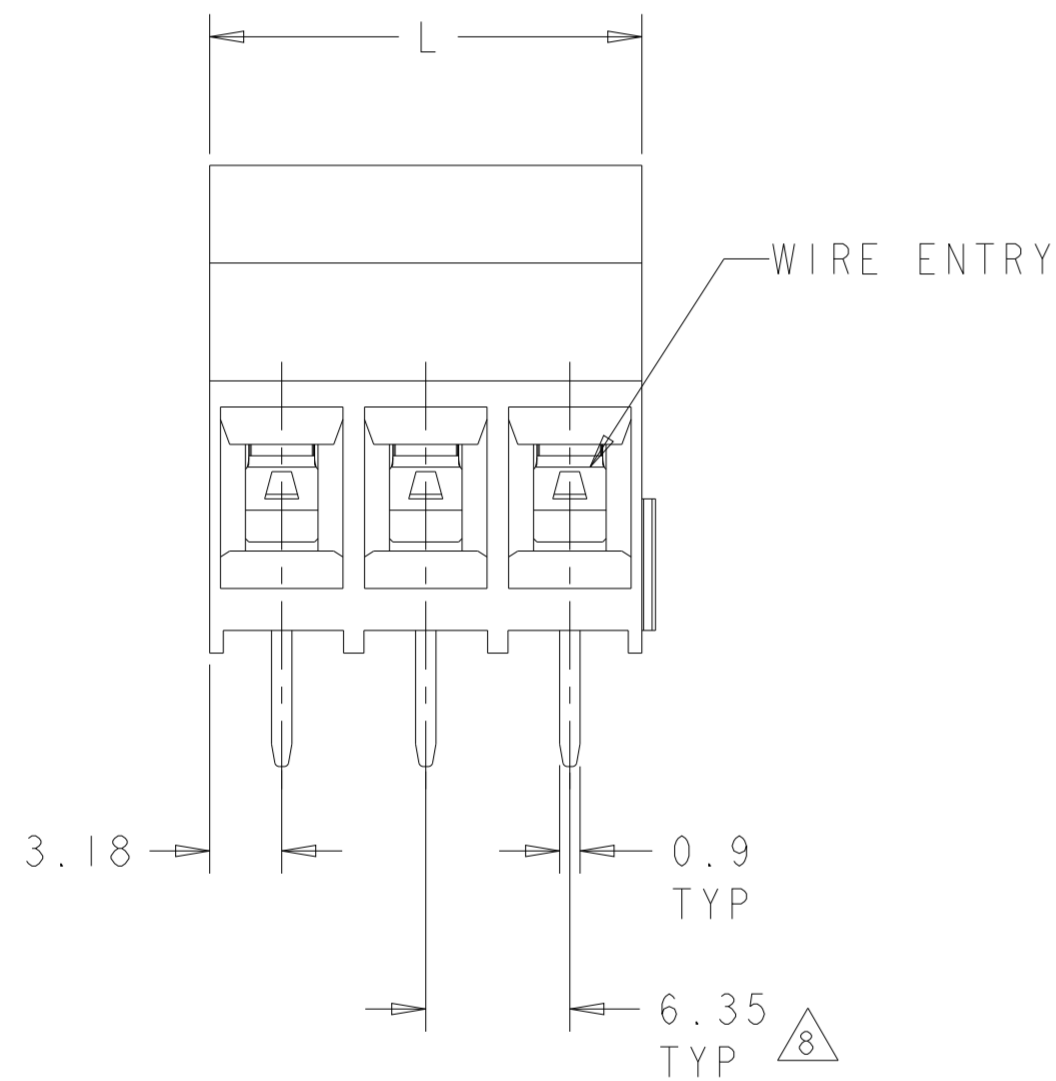
P	LTR	DESCRIPTION	DATE	DWN	APVD
D		PACKAGING CHANGED FROM BLACK POLYURETHANE SPONGE TO TRAY	13MAR2018	RK	PS
DI		PART STATUS UPDATED	19OCT2021	SCB	SS



796740-3 AS SHOWN

NOTES:

- MATERIALS AND FINISH  
 HOUSING: PA 6-6, UL 94-V0, COLOR: GREEN  
 CLAMP: BRASS, NICKEL PLATED.  
 CLAMPING SCREW: M3.5, BRASS, NICKEL PLATED.  
 TERMINAL: BRASS, TIN PLATED.
- MECHANICAL  
 WIRE STRIPPING LENGTH : 7.0-8.0 mm  
 MIN. PC BOARD HOLES DIAMETER : 1.3 mm  
 MAX. PC BOARD THICKNESS : 4.0 mm  
 RECOMMENDED TIGHTENING TORQUE FOR SCREW : 0.8 Nm.
- ELECTRICAL  
 WIRE RANGE : 10-30 AWG  
 MAX. VOLTAGE : 300 V  
 MAX CURRENT : 30 A  
 CONTACT RESISTANCE : <15 m Ohm  
 INSULATION RESISTANCE : >1000 M Ohm (500V DC)
- END-TO-END STACKABLE W/INTERLOCK, WITHOUT LOSS OF CENTERLINE SPACING.
- RECOGNIZED UNDER THE COMPONENT PROGRAM OF UNDERWRITERS LABORATORY INC. FILE No. E60677.
- OPERATING TEMPERATURE RANGE: -40°C TO +110°C.
- PACKED IN TRAY.
- ⚠ NOT CUMULATIVE TOLERANCE.



RECOMMENDED PC BOARD LAYOUT

OBSOLETE	114.30	18	+796740-8
OBSOLETE	63.50	10	+796740-0
OBSOLETE	37.75	5	-796740-5-
	19.05	3	796740-3
	12.70	2	796740-2
L	NO OF POSN	PART NUMBER	

THIS DRAWING IS A CONTROLLED DOCUMENT.		DWN	26MAR2001	TE Connectivity	
DIMENSIONS: mm		CHK	E. ZANOLINI		
TOLERANCES UNLESS OTHERWISE SPECIFIED:		CHK	D. BIEVENOUR		
0 PLC ±0.15		APVD	D. BIEVENOUR	NAME	
1 PLC ±0.2		PRODUCT SPEC		TERMINAL BLOCK, PCB MOUNT	
2 PLC ±0.2		APPLICATION SPEC		SIDE WIRE ENTRY, STACKING	
3 PLC ±				WITH INTERLOCK, 6.35mm PITCH	
4 PLC ±				SIZE	CAGE CODE
ANGLES ±2		WEIGHT	-	A2	00779
FINISH		CUSTOMER DRAWING		DRAWING NO	C-796740
MATERIAL SEE NOTES		SCALE	3:1	SHEET	OF 1
SEE NOTES		REV	DI		

## X-ON Electronics

Largest Supplier of Electrical and Electronic Components

*Click to view similar products for [Fixed Terminal Blocks](#) category:*

*Click to view products by [TE Connectivity](#) manufacturer:*

Other Similar products are found below :

[MBE-1512](#) [MBE-154](#) [MBE-156](#) [MBES-153](#) [MBES-156](#) [MH-2512](#) [MHE-132](#) [MHE-163](#) [MI-254 \(35\)](#) [MI-272](#) [880507](#) [MPT-275](#)  
[15602-04-08-21](#) [BA311TU](#) [BA411SU](#) [MV-152](#) [MV-252-D](#) [MV-253/NCNOC](#) [MV-254-D](#) [MV-255](#) [MV-462](#) [MV-493](#) [MVE-252](#) [MVE-253](#)  
[MVE-273](#) [MVEB-153](#) [1700096](#) [1705142](#) [1712417](#) [1713020](#) [1713088](#) [1745195](#) [1760594](#) [1776118-2](#) [1790852](#) [1-796689-8](#) [1-796692-6](#)  
[1800001](#) [1800114](#) [1995279](#) [20020314-C121B01LF](#) [CB2-12](#) [KP03215000J0G](#) [KP04215000J0G](#) [S451](#) [282802-2](#) [29.007](#) [29.116](#) [30.103](#)  
[30.106](#)