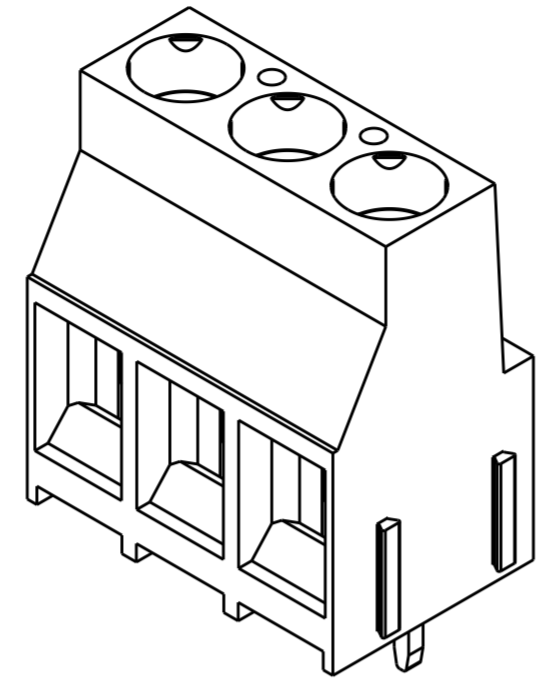
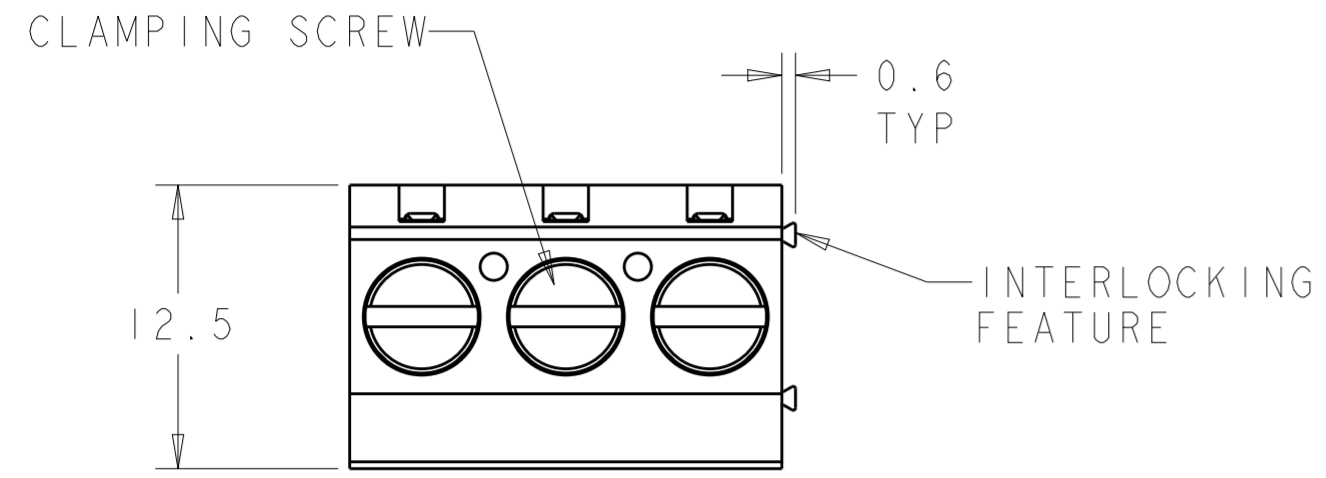


THIS DRAWING IS UNPUBLISHED. RELEASED FOR PUBLICATION 20
 © COPYRIGHT 20 BY - ALL RIGHTS RESERVED.

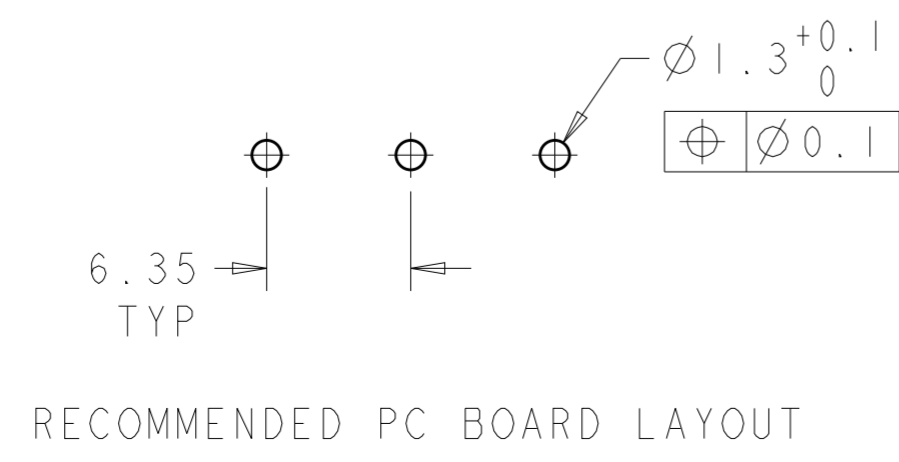
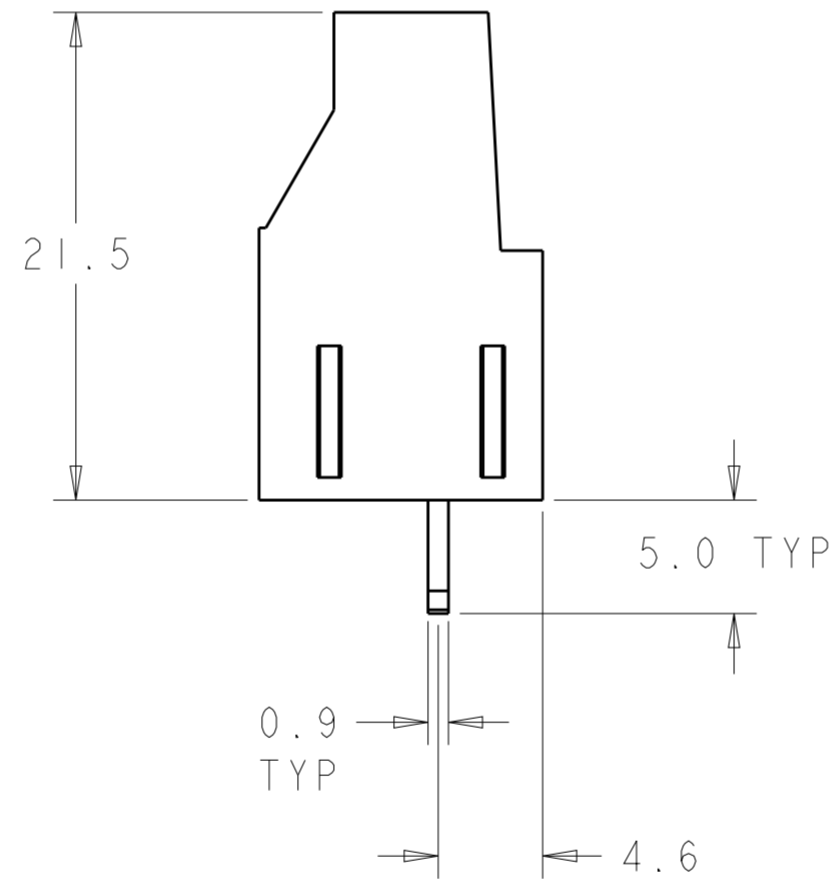
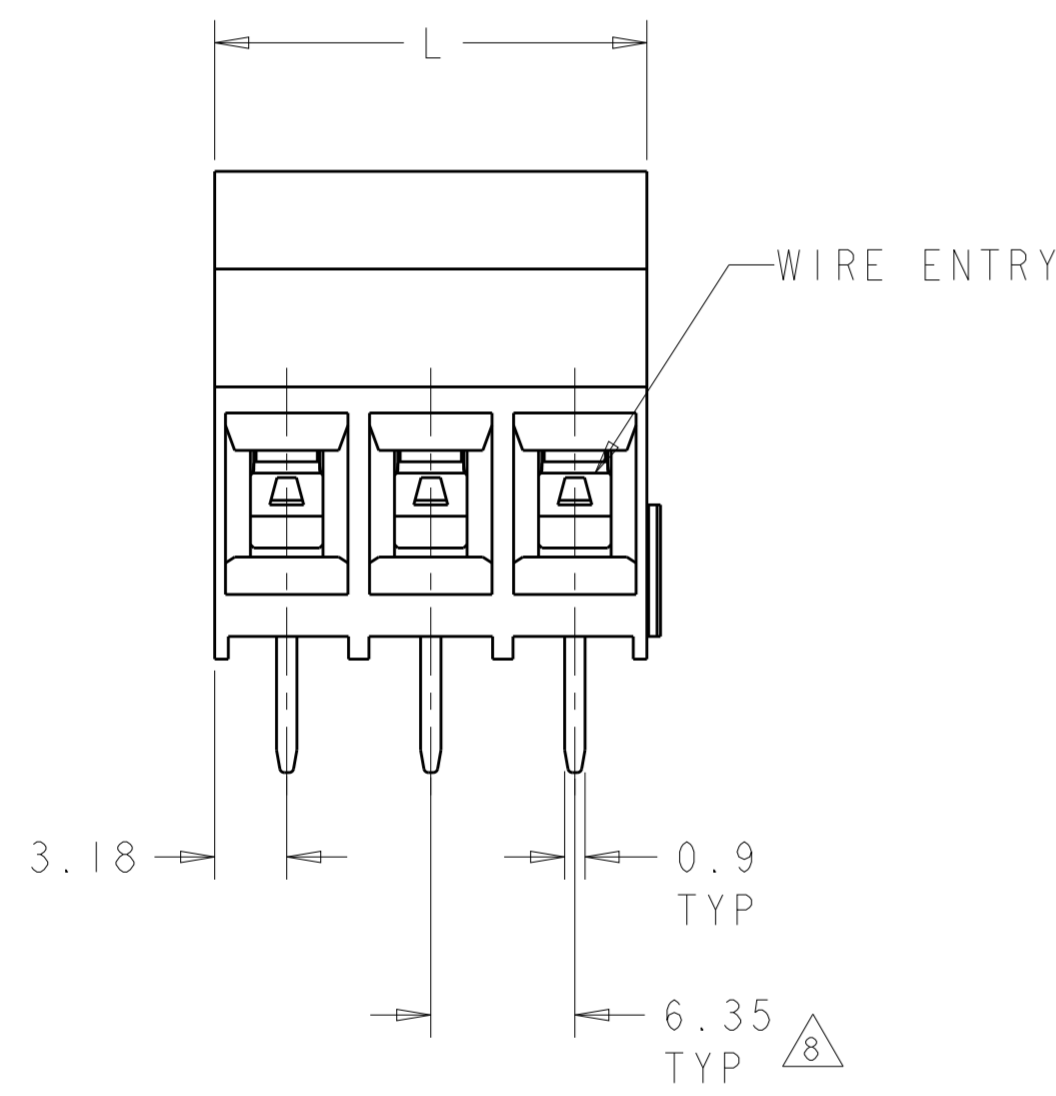
REVISIONS				
P	LTR	DESCRIPTION	DATE	APVD
D		PACKAGING CHANGED FROM BLACK POLYURETHANE SPONGE TO TRAY	13MAR2018	RK PS



796740-3 AS SHOWN

NOTES:

- MATERIALS AND FINISH
 HOUSING: PA 6-6, UL 94-VO, COLOR: GREEN
 CLAMP: BRASS, NICKEL PLATED.
 CLAMPING SCREW: M3.5, BRASS, NICKEL PLATED.
 TERMINAL: BRASS, TIN PLATED.
- MECHANICAL
 WIRE STRIPPING LENGTH : 7.0-8.0 mm
 MIN. PC BOARD HOLES DIAMETER : 1.3 mm
 MAX. PC BOARD THICKNESS : 4.0 mm
 RECOMMENDED TIGHTENING TORQUE FOR SCREW : 0.8 Nm.
- ELECTRICAL
 WIRE RANGE : 10-30 AWG
 MAX. VOLTAGE : 300 V
 MAX CURRENT : 30 A
 CONTACT RESISTANCE : <15 m Ohm
 INSULATION RESISTANCE : >1000 M Ohm (500V DC)
- END-TO-END STACKABLE W/INTERLOCK, WITHOUT LOSS OF CENTERLINE SPACING.
- RECOGNIZED UNDER THE COMPONENT PROGRAM OF UNDERWRITERS LABORATORY INC. FILE No. E60677.
- OPERATING TEMPERATURE RANGE: -40°C TO +110°C.
- PACKED IN TRAY.
- ⚠ NOT CUMULATIVE TOLERANCE.



RECOMMENDED PC BOARD LAYOUT

114.30	18	1-796740-8
63.50	10	1-796740-0
37.75	5	796740-5
19.05	3	796740-3
12.70	2	796740-2
L	NO OF POSN	PART NUMBER

THIS DRAWING IS A CONTROLLED DOCUMENT.		DWN E. ZANOLINI 26MAR2001	TE Connectivity	
DIMENSIONS: mm		CHK D. BIEVENOUR 26MAR2001		
TOLERANCES UNLESS OTHERWISE SPECIFIED:		APVD D. BIEVENOUR 26MAR2001	NAME	
0 PLC ±0.15		PRODUCT SPEC	TERMINAL BLOCK, PCB MOUNT	
1 PLC ±0.2		APPLICATION SPEC	SIDE WIRE ENTRY, STACKING	
2 PLC ±0.2		WEIGHT	WITH INTERLOCK, 6.35mm PITCH	
3 PLC ±		RESTRICTED TO	SIZE	CAGE CODE
4 PLC ±		CUSTOMER DRAWING	A2	00779
ANGLES ±2		SCALE	3:1	SHEET
FINISH		REV	D	

X-ON Electronics

Largest Supplier of Electrical and Electronic Components

Click to view similar products for [Fixed Terminal Blocks](#) category:

Click to view products by [TE Connectivity](#) manufacturer:

Other Similar products are found below :

[MBE-1512](#) [MBE-154](#) [MBE-156](#) [MBES-153](#) [MBES-156](#) [MH-2512](#) [MHE-132](#) [MHE-163](#) [MI-254 \(35\)](#) [MI-272](#) [880507](#) [MPT-275](#)
[15602-04-08-21](#) [ELM023100](#) [BA311TU](#) [BA411SU](#) [MV-152](#) [MV-252-D](#) [MV-253/NCNOC](#) [MV-254-D](#) [MV-255](#) [MV-462](#) [MV-493](#) [MVE-](#)
[252](#) [MVE-253](#) [MVE-273](#) [MVEB-153](#) [1700096](#) [1705142](#) [1712417](#) [1713020](#) [1713088](#) [1745195](#) [1760594](#) [1776118-2](#) [1790852](#) [1-796689-8](#)
[1-796692-6](#) [1800001](#) [1800114](#) [1995279](#) [20020314-C121B01LF](#) [CB2-12](#) [KP03215000J0G](#) [KP04215000J0G](#) [S451](#) [282802-2](#) [29.007](#) [29.116](#)
[30.103](#)