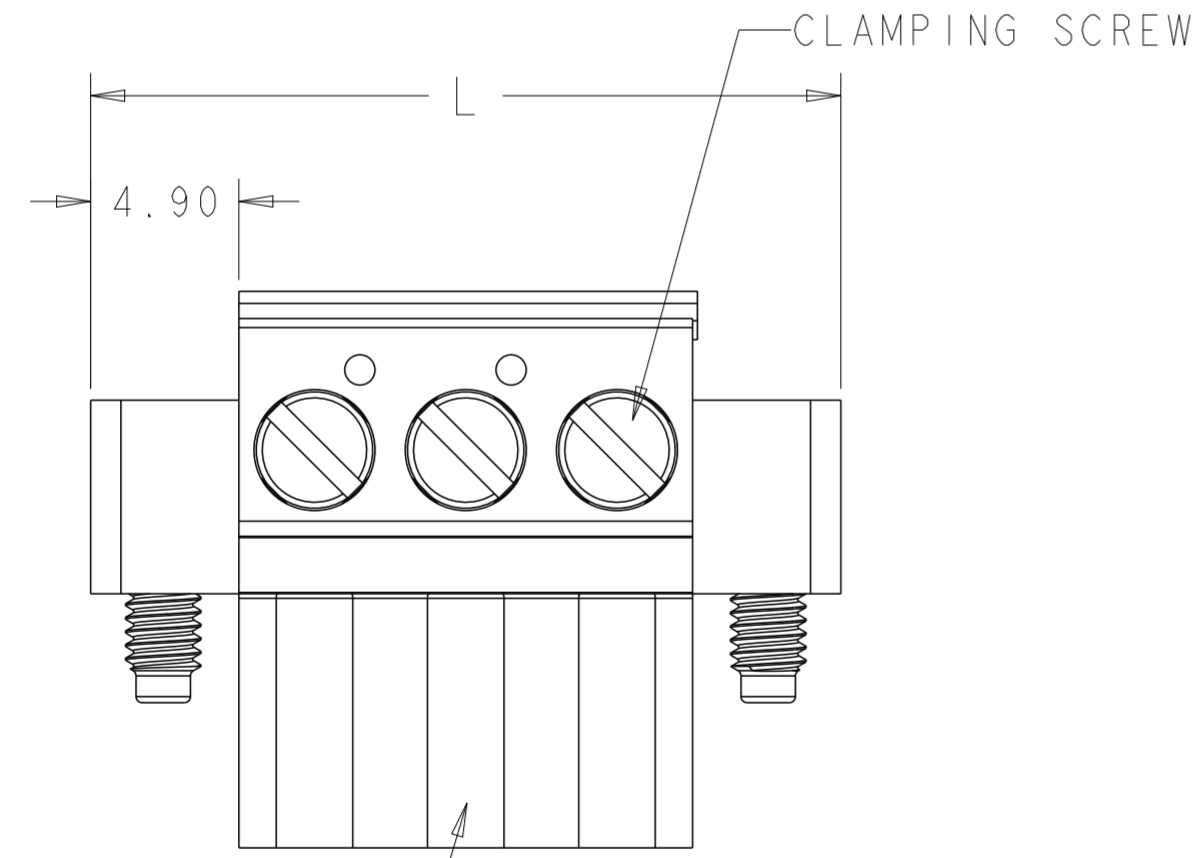
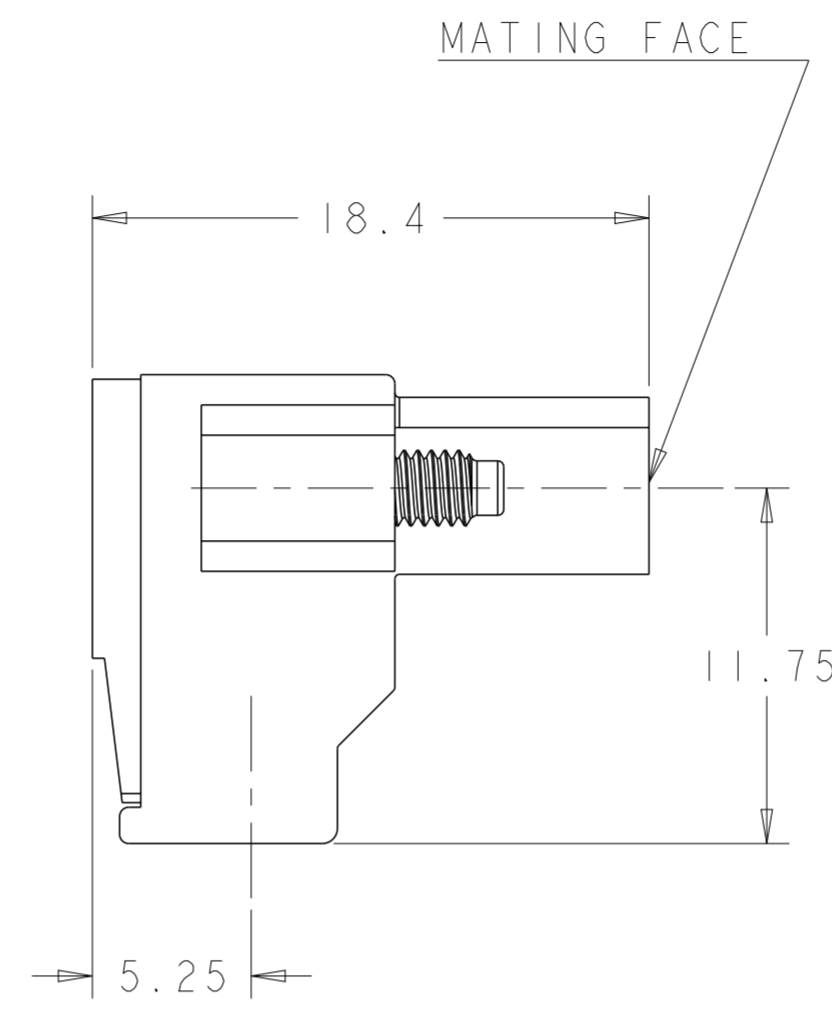
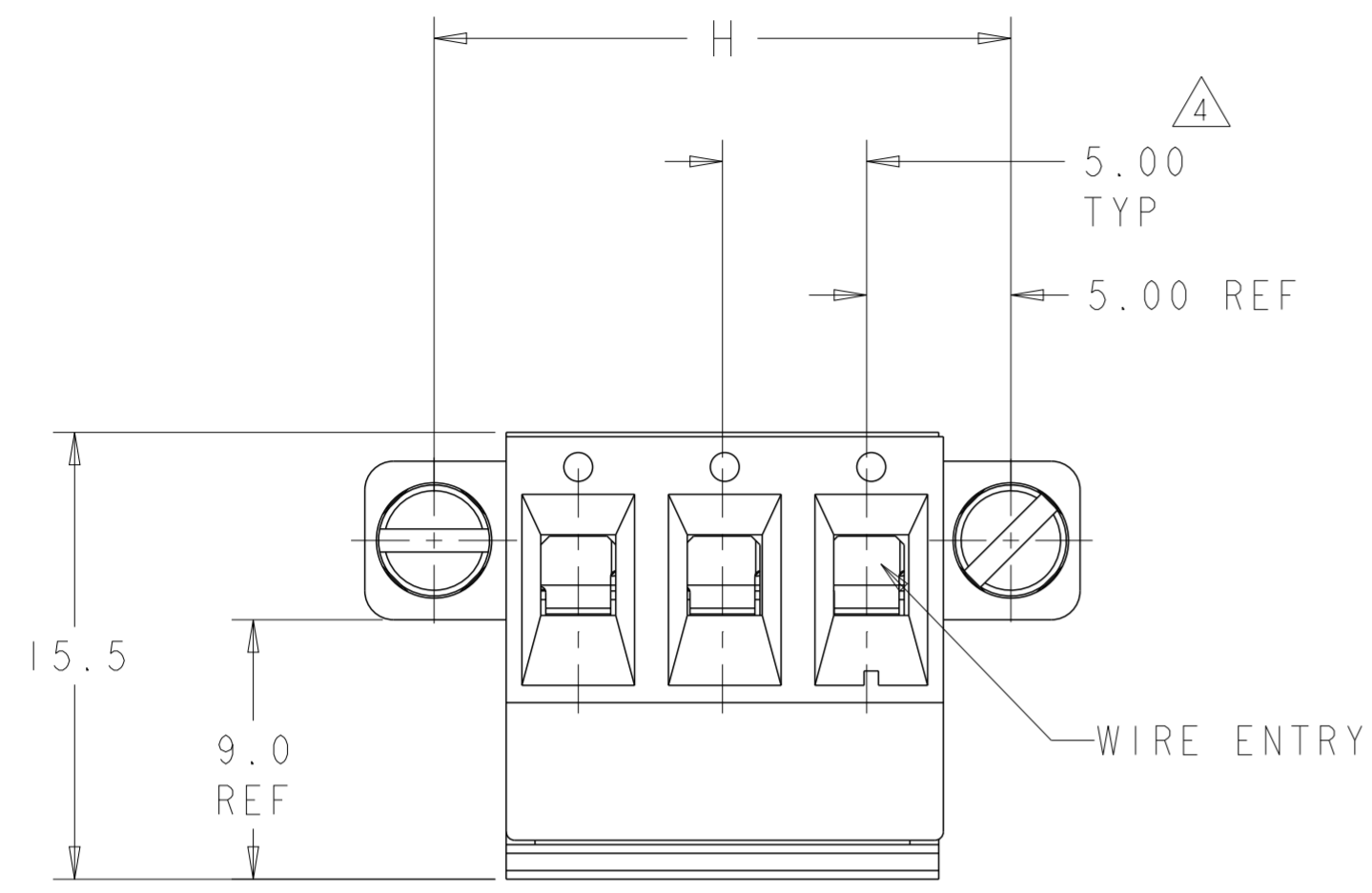
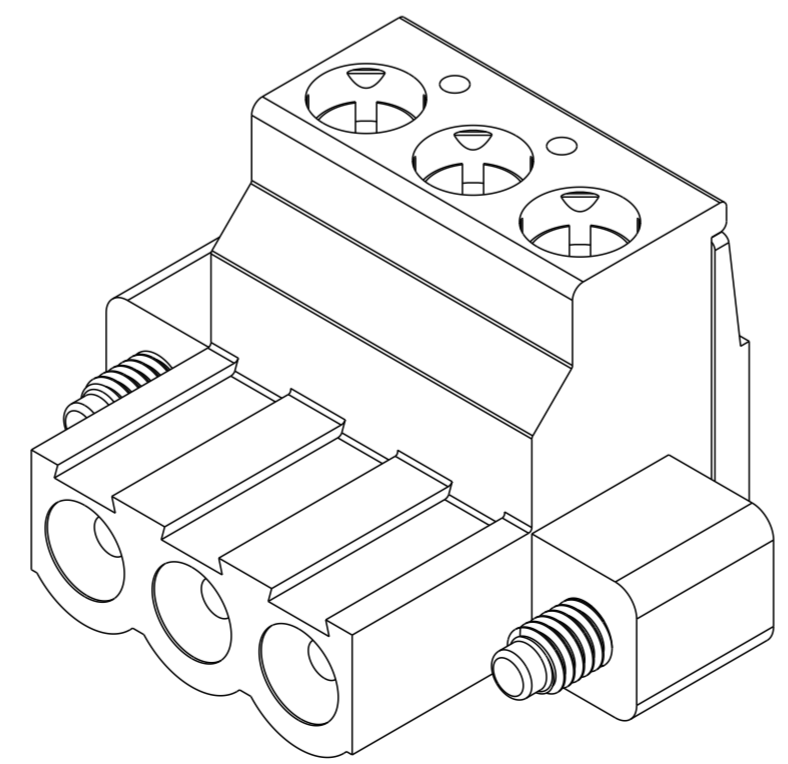


THIS DRAWING IS UNPUBLISHED. RELEASED FOR PUBLICATION 20  
 © COPYRIGHT 20 BY - ALL RIGHTS RESERVED.

REVISIONS				
P	LTR	DESCRIPTION	DATE	DWN APVD
	B1	NEW PN FOR 9 AND 10 POS. ADDED	27JAN2015	PS JK



POLARIZATION KEY SLOT



NOTES:

- MATERIALS & FINISH  
 HOUSING : PA6.6 , UL94 V0, COLOR -GREEN  
 SCREW M3 : BRASS, NICKEL PLATED  
 CLAMP : BRASS, NICKEL PLATED  
 CONTACT : PHOSPHOR BRONZE , TIN PLATED
- RECOGNIZED UNDER THE COMPONENT PROGRAM OF UNDERWRITERS LABORATORIES INC. FILE No. E60677.
- IMQ CERTIFICATE WITH SURVEILLANCE ON CONFORMITY WITH IEC 998-1/998-2-1.
- NOT CUMULATIVE TOLERANCE.
- MECHANICAL  
 INSERTION FORCE PER POLE : MAX 3N  
 WITHDRAWAL FORCE PER POLE : MIN 1.5 N  
 RECOMMENDED/ HIGHEST TIGHTENING TORQUE: 0.5/0.6 Nm  
 WIRE STRIPPING LENGTH: 6.0 TO 7.5mm
- ELECTRICAL  
 WIRE RANGE : 30 - 12 AWG  
 MAX. VOLTAGE : 300 V  
 MAX CURRENT : 15 A  
 CONTACT RESISTANCE : <15 m Ohm  
 INSULATION RESISTANCE : > 1000 M Ohm (500V DC)
- OPERATING TEMPERATURE RANGE: -40°C TO +110°C

59.8	55.0	10	1-796858-0
54.8	50.0	9	796858-9
49.8	45.0	8	796858-8
44.8	40.0	7	796858-7
39.8	35.0	6	796858-6
34.8	30.0	5	796858-5
29.8	25.0	4	796858-4
24.8	20.0	3	796858-3
19.8	15.0	2	796858-2
L	H	NO. OF POSN	PART NUMBER

THIS DRAWING IS A CONTROLLED DOCUMENT.		DWN S. WELDON 12FEB2001	TE Connectivity NAME: TERMINAL BLOCK, PLUG, 90 DEG, WITH SCREW LOCKING FLANGE 5.00mm PITCH SIZE: A2 CAGE CODE: 00779 DRAWING NO: C-796858 RESTRICTED TO: -	
DIMENSIONS: mm		CHK D. BIEVENOUR 12FEB2001		
TOLERANCES UNLESS OTHERWISE SPECIFIED:		APVD D. BIEVENOUR 12FEB2001		
0 PLC ± 1 PLC ±0.2 2 PLC ±0.15 3 PLC ± 4 PLC ± ANGLES ±2° FINISH		PRODUCT SPEC: - APPLICATION SPEC: - WEIGHT: -		
MATERIAL		Customer Drawing		SCALE: 4:1 SHEET: 1 OF 1 REV: B1

## X-ON Electronics

Largest Supplier of Electrical and Electronic Components

*Click to view similar products for [Pluggable Terminal Blocks](#) category:*

*Click to view products by [TE Connectivity](#) manufacturer:*

Other Similar products are found below :

[57.510.0053](#) [MC 1.5/ 6-ST-3.5 GY AU](#) [ET02015000J0G](#) [734-104](#) [734-302](#) [8-141-P](#) [8426620000](#) [860505](#) [860516](#) [860810](#) [GBPACX-12](#)  
[93.731.4953.0](#) [PV05-5,08-K](#) [PVP03-3,50](#) [PVP04-3,50](#) [PVS02-5,00](#) [1-1986160-3](#) [1377680000](#) [1531000000](#) [1546228-5](#) [ELFH16150](#)  
[ELFP03110](#) [ELFP10210](#) [ELFT06250](#) [ELVP03100](#) [1700101](#) [1700410](#) [1700425](#) [1702246](#) [1705229](#) [1710175](#) [1714537](#) [1717806](#) [1719600](#)  
[1728941](#) [1734692](#) [1734795](#) [1736036](#) [1740194](#) [1740628](#) [1740990](#) [1746952](#) [1750207](#) [1752441](#) [1752865](#) [1754115](#) [1754144](#) [1756913](#)  
[1760051](#) [1760336](#)