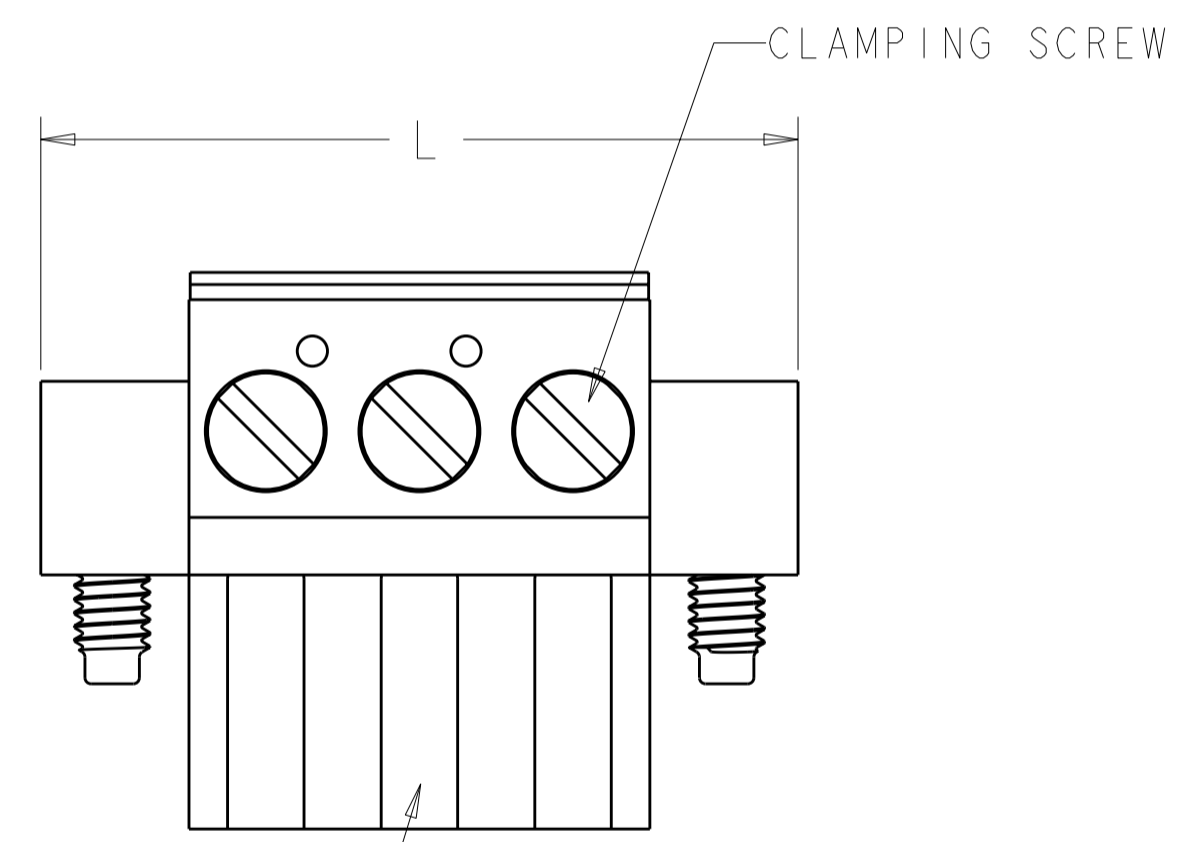
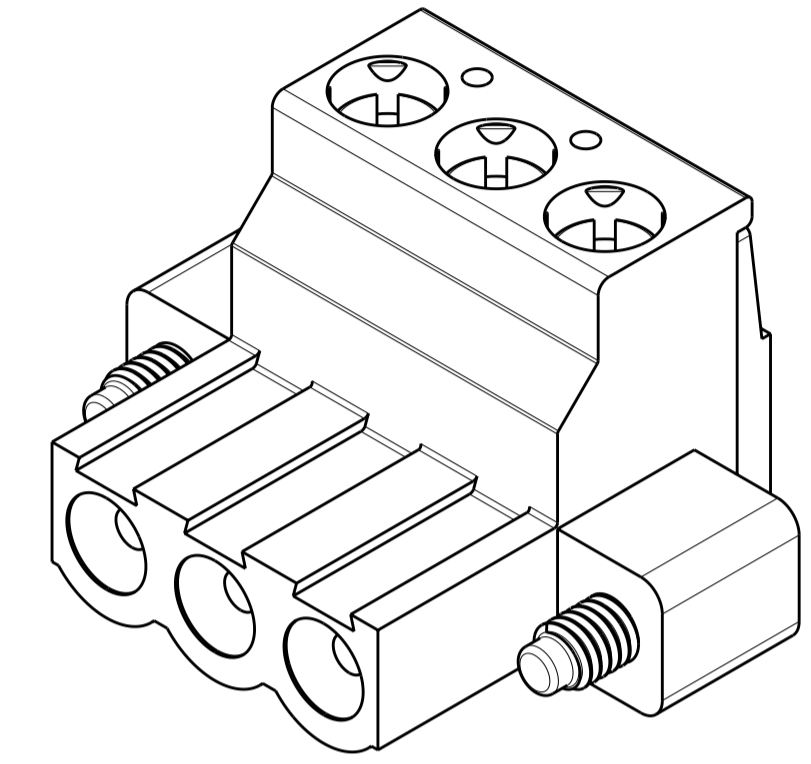
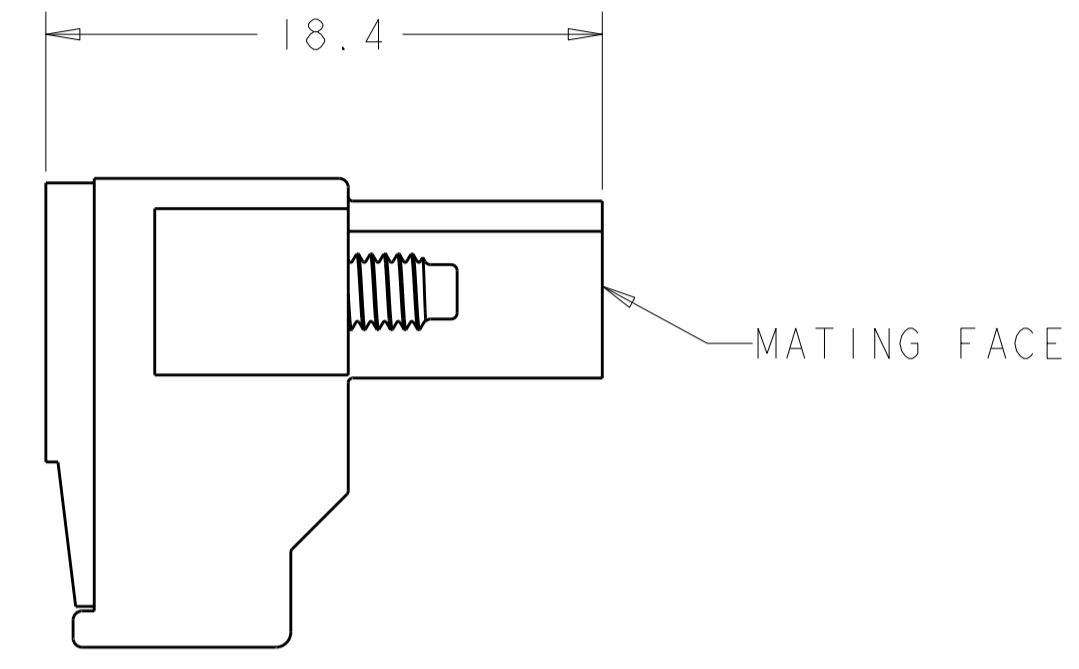
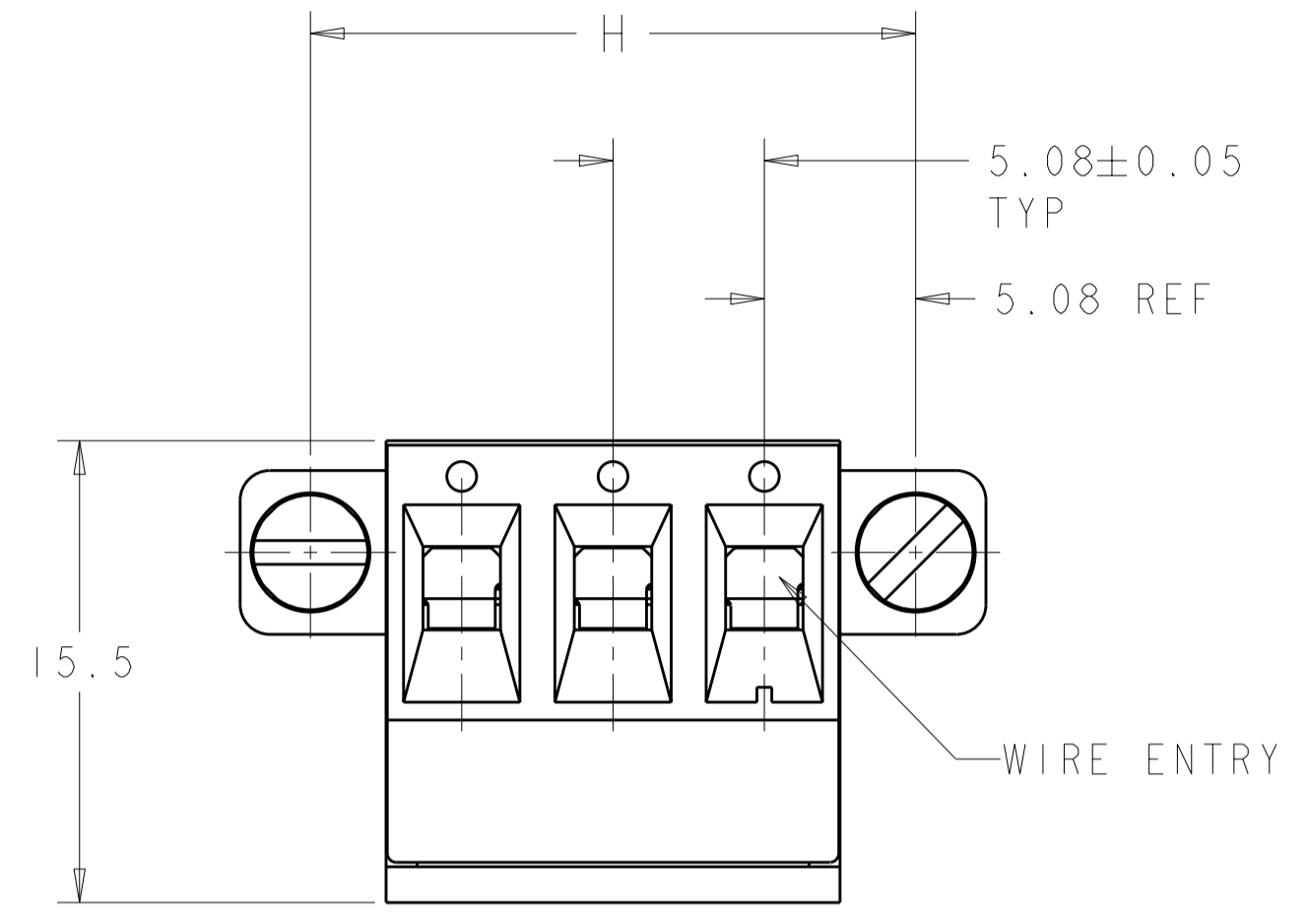


THIS DRAWING IS UNPUBLISHED. RELEASED FOR PUBLICATION 20
 © COPYRIGHT 20 BY - ALL RIGHTS RESERVED.

REVISIONS						
P	LTR	DESCRIPTION	DATE	DWN	APVD	
E3		REVISED PER ECO-11-004587	11MAR2011	RK	HMR	



PRELIMINARY	0.76µm GOLD	-	-	60.60	55.88	10	2-796859-6
PRELIMINARY	0.2µm GOLD	△6	DETAIL G	35.20	30.48	5	2-796859-5
PRELIMINARY	TIN	△5	DETAIL F	25.04	20.32	3	2-796859-4
TIN	-	-	-	126.64	121.92	23	2-796859-3
TIN	-	-	-	121.56	116.84	22	2-796859-2
TIN	-	-	-	116.48	111.76	21	2-796859-1
TIN	-	-	-	111.40	106.68	20	2-796859-0
TIN	-	-	-	106.32	101.60	19	1-796859-9
TIN	-	-	-	101.24	96.52	18	1-796859-8
TIN	-	-	-	96.16	91.44	17	1-796859-7
TIN	-	-	-	91.08	86.36	16	1-796859-6
TIN	-	-	-	86.00	81.28	15	1-796859-5
TIN	-	-	-	80.92	76.20	14	1-796859-4
TIN	-	-	-	75.84	71.12	13	1-796859-3
TIN	-	-	-	70.76	66.04	12	1-796859-2
TIN	-	-	-	65.68	60.96	11	1-796859-1
TIN	-	-	-	60.60	55.88	10	1-796859-0
TIN	-	-	-	55.52	50.80	9	796859-9
TIN	-	-	-	50.44	45.72	8	796859-8
TIN	-	-	-	45.36	40.64	7	796859-7
TIN	-	-	-	40.28	35.56	6	796859-6
TIN	-	-	-	35.20	30.48	5	796859-5
TIN	-	-	-	30.12	25.40	4	796859-4
TIN	-	-	-	25.04	20.32	3	796859-3
TIN	-	-	-	19.96	15.24	2	796859-2
TERMINAL PLATING	MARKING	SPECIAL	L	H	NO. OF POSN	PART NUMBER	

- △1 MATERIALS AND FINISH:
 HOUSING: PA 6-6, UL 94-V0, COLOR: GREEN.
 TERMINAL: PHOSPHOR BRONZE, PLATING: SEE TABLE, OVER 2-3µm NICKEL
- 2. SUITABLE FOR 1,6-2, 4mm PC BOARD THICKNESS.
- 3. RECOGNIZED UNDER THE COMPONENT PROGRAM OF UNDERWRITERS LABORATORIES INC. FILE No. E60677.
- 4. IMQ CERTIFICATE WITH SURVEILLANCE ON CONFORMITY WITH IEC 998-1/998-2-1.
- △5 INK MARKING, COLOR: WHITE.
- △6 LABEL APPLIED OR INK MARKING AS SHOWN.

THIS DRAWING IS A CONTROLLED DOCUMENT.

DWN: S. WELDON 12FEB2001
 CHK: D. BIEVENOUR 12FEB2001
 APVD: D. BIEVENOUR 12FEB2001

STE TE Connectivity

NAME: TERMINAL BLOCK, PLUG 90 DEGREE, WITH FLANGE, 5.08mm PITCH

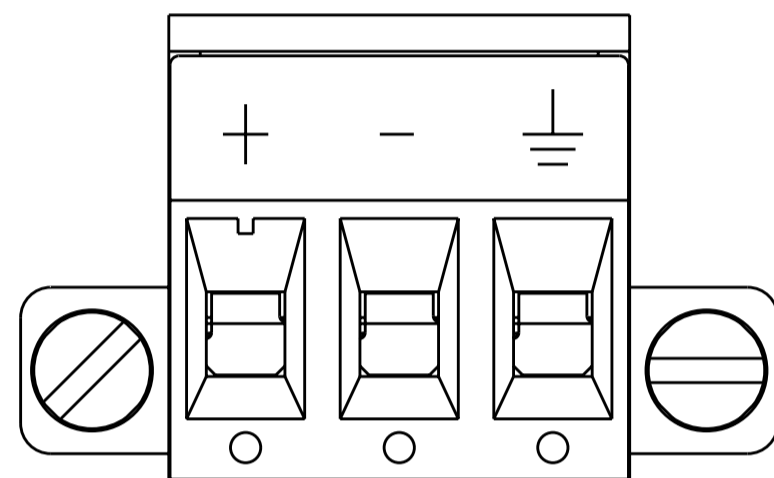
SIZE: A2 CAGE CODE: 00779 DRAWING NO: 796859 RESTRICTED TO: -

MATERIAL: △1 TOLERANCES UNLESS OTHERWISE SPECIFIED:
 0 PLC ±-
 1 PLC ±0.2
 2 PLC ±0.00
 3 PLC ±0.000
 4 PLC ±0.0000
 ANGLES ±-
 FINISH △1

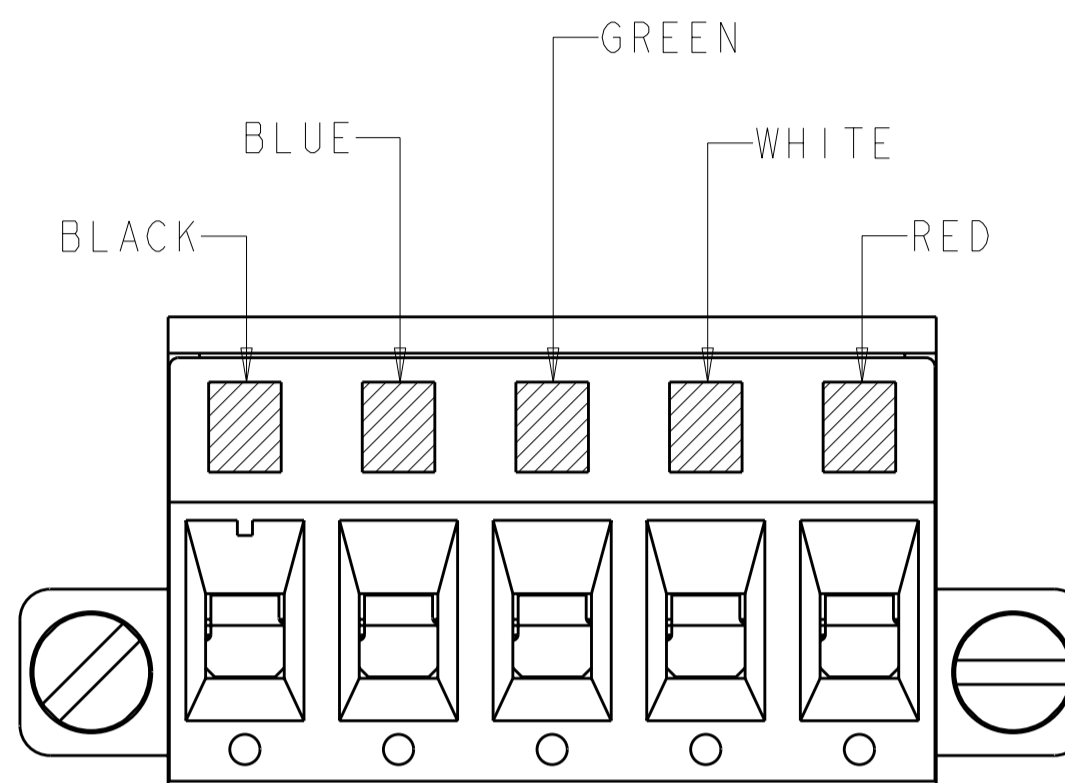
WEIGHT: -
 CUSTOMER DRAWING SCALE: 2:1 SHEET 1 OF 2 REV: E3

THIS DRAWING IS UNPUBLISHED. RELEASED FOR PUBLICATION 20
 © COPYRIGHT 20 BY ALL RIGHTS RESERVED.


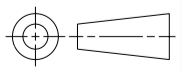
LOC	DIST	REVISIONS					
FT	0	P	LTR	DESCRIPTION	DATE	DWN	APVD
		-		SEE SHEET 1			



DETAIL F



DETAIL G

THIS DRAWING IS A CONTROLLED DOCUMENT.		DWN S. WELDON	12FEB2001	 TE Connectivity
DIMENSIONS:		CHK D. BIEVENOUR	12FEB2001	
mm		APVD D. BIEVENOUR	12FEB2001	
		PRODUCT SPEC		
TOLERANCES UNLESS OTHERWISE SPECIFIED:		APPLICATION SPEC		NAME
0 PLC	±			TERMINAL BLOCK, PLUG
1 PLC	±0.2			90 DEGREE, WITH FLANGE,
2 PLC	±0.00			5.08mm PITCH
3 PLC	±0.000			SIZE
4 PLC	±0.0000			A200779
ANGLES	±			CAGE CODE
FINISH				C-796859
MATERIAL				DRAWING NO
				RESTRICTED TO
				-
				SCALE 4:1
				SHEET 2 OF 2
				REV E3
				CUSTOMER DRAWING

X-ON Electronics

Largest Supplier of Electrical and Electronic Components

Click to view similar products for [Pluggable Terminal Blocks](#) category:

Click to view products by [TE Connectivity](#) manufacturer:

Other Similar products are found below :

[57.510.0053](#) [MC 1.5/ 6-ST-3.5 GY AU](#) [734-104](#) [734-302](#) [8-141-P](#) [8426620000](#) [860505](#) [860516](#) [860810](#) [GBPACX-12](#) [93.731.4953.0](#) [PV05-5,08-K](#) [PVP02-5,00](#) [PVP03-3,50](#) [PVP04-3,50](#) [PVS02-5,00](#) [1-1986160-3](#) [1377680000](#) [1531000000](#) [1546228-5](#) [ELFH16150](#) [ELFP03110](#) [ELFP10210](#) [ELFT06250](#) [ELVP03100](#) [1700101](#) [1700410](#) [1700425](#) [1702246](#) [1705229](#) [1710175](#) [1714537](#) [1717806](#) [1719600](#) [1728941](#) [1734692](#) [1734795](#) [1736036](#) [1740194](#) [1740291](#) [1740628](#) [1740990](#) [1746952](#) [1750207](#) [1752441](#) [1752865](#) [1754115](#) [1754144](#) [1756913](#) [1760051](#)