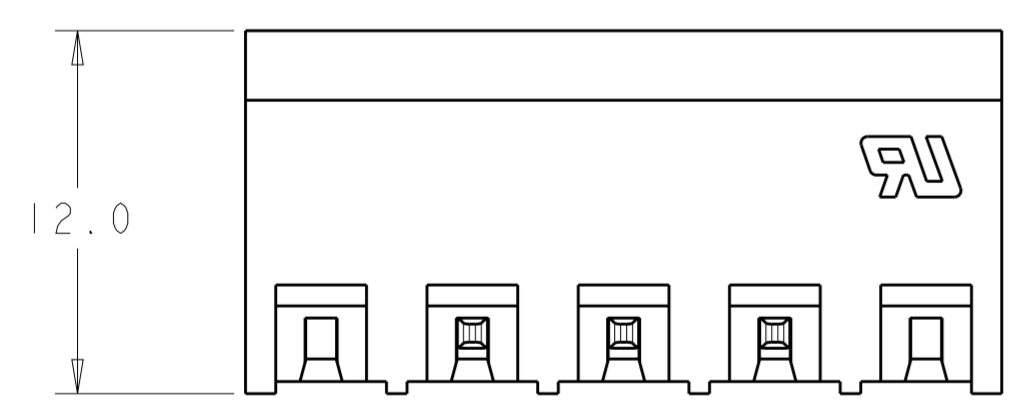
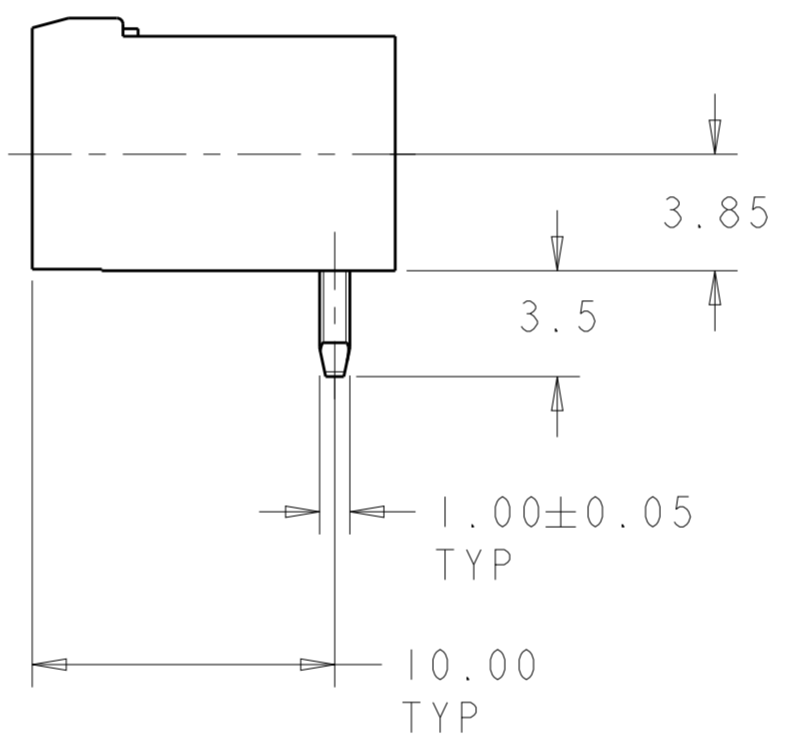
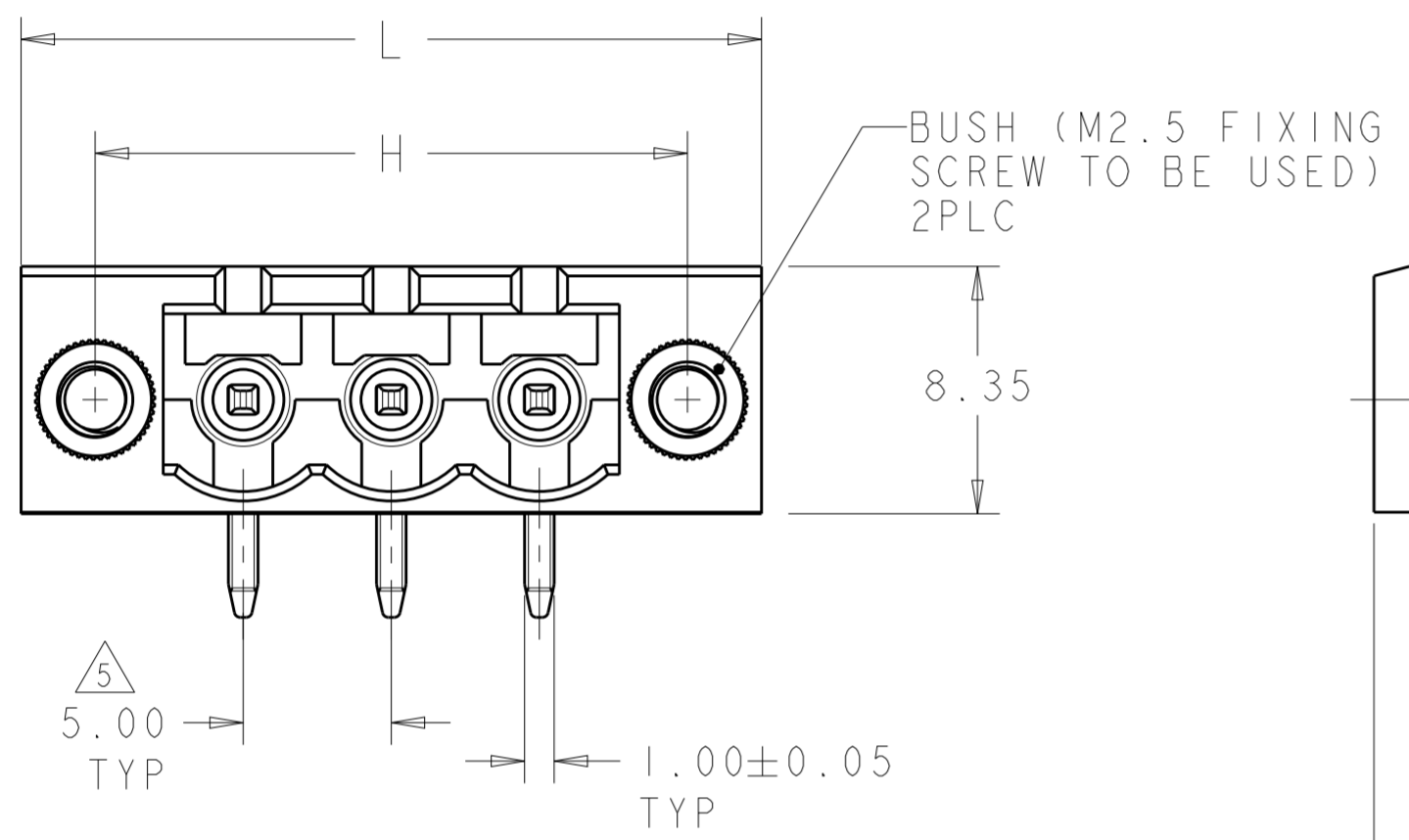
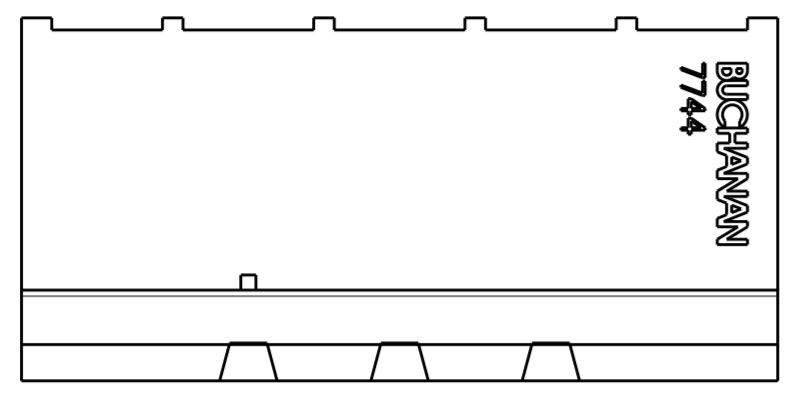
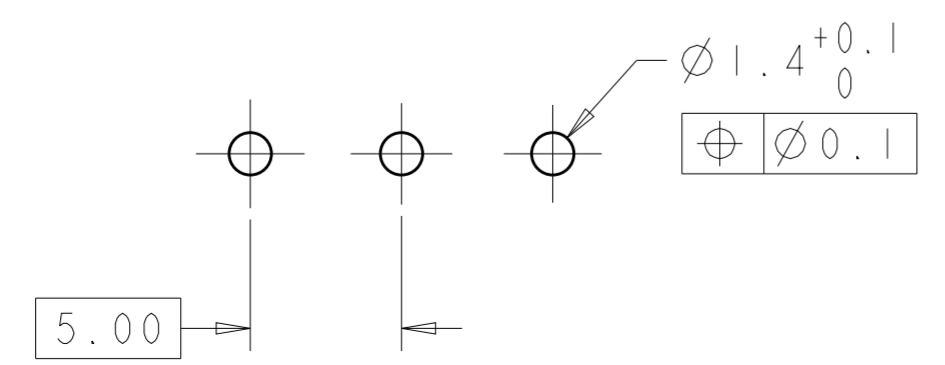


THIS DRAWING IS UNPUBLISHED. RELEASED FOR PUBLICATION 20
 © COPYRIGHT 20 BY - ALL RIGHTS RESERVED.

REVISIONS				
P	LTR	DESCRIPTION	DATE	APVD
	D2	BUSH PART MATERIAL INFORMATION ADDED	10MAY2018	RK PS

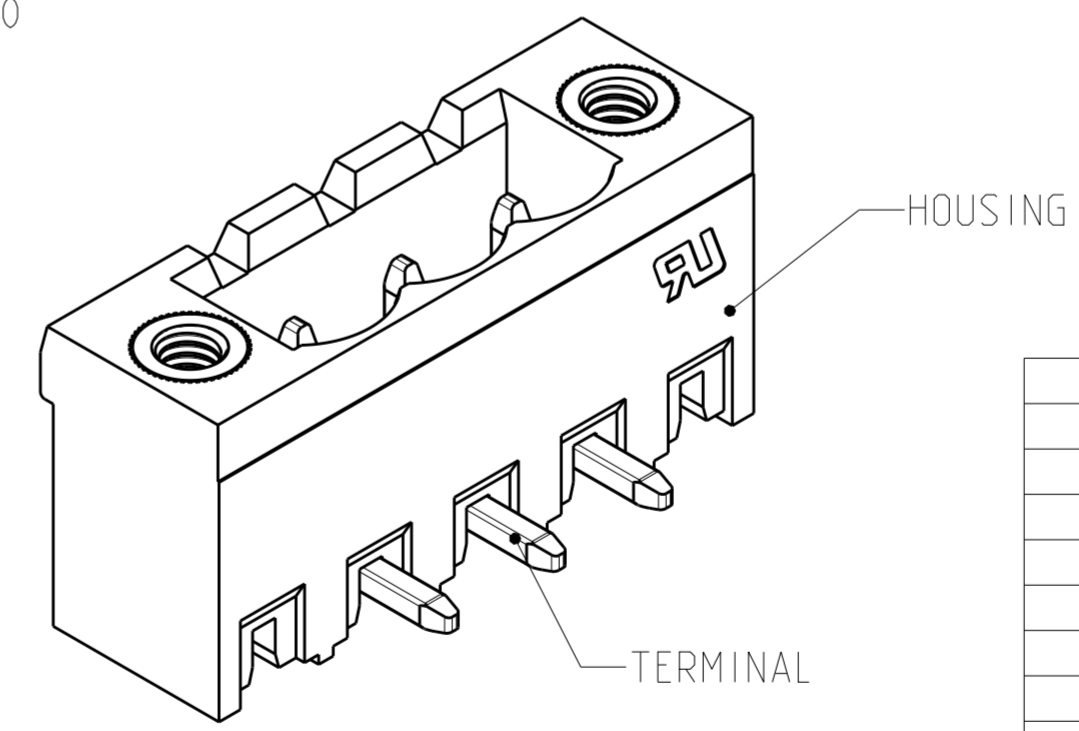


RECOMMENDED PC BOARD LAYOUT



NOTES:

- 1. MATERIALS AND FINISH:
 HOUSING: PA 6-6, UL 94-V0, COLOR: GREEN.
 TERMINAL: PHOSPHOR BRONZE, TIN PLATED.
 BUSH : BRASS, NICKEL PLATED.
- 2. MECHANICAL
 MAX. INSERTION FORCE PER POLE : 3.0 N
 MIN. WITHDRAWAL FORCE PER POLE : 1.5 N
 MIN. PC BOARD HOLES DIAMETER : 1.4 mm
 MAX. PC BOARD THICKNESS : 2.4 mm
- 3. RECOGNIZED UNDER THE COMPONENT PROGRAM OF UNDERWRITERS LABORATORIES INC. FILE No. E60677.
- 4. LOGO SIZE AND LOCATION APPROXIMATELY AS SHOWN.
- 5. NOT CUMULATIVE TOLERANCE.
- 6. OPERATING TEMPERATURE RANGE -40°C TO +110°C
- 7. ELECTRICAL
 WIRE RANGE : 12-30 AWG
 MAX. VOLTAGE : 300 V
 MAX CURRENT : 15 A
 CONTACT RESISTANCE : <15 m Ohm
 INSULATION RESISTANCE : >1000 M Ohm (500V DC)



796864-3 AS SHOWN

60.0	55.0	10	1-796864-0
55.0	50.0	9	796864-9
50.0	45.0	8	796864-8
45.0	40.0	7	796864-7
40.0	35.0	6	796864-6
35.0	30.0	5	796864-5
30.0	25.0	4	796864-4
25.0	20.0	3	796864-3
20.0	15.0	2	796864-2
L	H	NO. OF POSN	PART NUMBER

THIS DRAWING IS A CONTROLLED DOCUMENT.

DIMENSIONS:	TOLERANCES UNLESS OTHERWISE SPECIFIED:	DWN S. WELDON 09FEB2001	TE Connectivity
mm	0 PLC ±	CHK D. BIEVENOUR 09FEB2001	
	1 PLC ±0.2	APVD D. BIEVENOUR 09FEB2001	
	2 PLC ±0.15	NAME	
	3 PLC ±	PRODUCT SPEC	TERMINAL BLOCK HEADER ,90 DEG, WITH LOCKING SCREW FLANGE, PITCH 5.0mm
	4 PLC ±	APPLICATION SPEC	SIZE CAGE CODE DRAWING NO RESTRICTED TO
	ANGLES ±2°	WEIGHT	A200779 C-796864
MATERIAL	FINISH	CUSTOMER DRAWING	SCALE 4:1 SHEET 1 OF 1 REV D2

X-ON Electronics

Largest Supplier of Electrical and Electronic Components

Click to view similar products for [Pluggable Terminal Blocks](#) category:

Click to view products by [TE Connectivity](#) manufacturer:

Other Similar products are found below :

[57.510.0053](#) [MC 1.5/ 6-ST-3.5 GY AU](#) [ET02015000J0G](#) [734-104](#) [734-302](#) [8-141-P](#) [8426620000](#) [860505](#) [860516](#) [860810](#) [GBPACX-12](#)
[93.731.4953.0](#) [PV05-5,08-K](#) [PVP03-3,50](#) [PVP04-3,50](#) [PVS02-5,00](#) [1-1986160-3](#) [1377680000](#) [1531000000](#) [1546228-5](#) [ELFH16150](#)
[ELFP03110](#) [ELFP10210](#) [ELFT06250](#) [ELVP03100](#) [1700101](#) [1700410](#) [1700425](#) [1702246](#) [1705229](#) [1710175](#) [1714537](#) [1717806](#) [1719600](#)
[1728941](#) [1734692](#) [1734795](#) [1736036](#) [1740194](#) [1740291](#) [1740628](#) [1740990](#) [1746952](#) [1750207](#) [1752441](#) [1752865](#) [1754115](#) [1754144](#)
[1756913](#) [1760051](#)