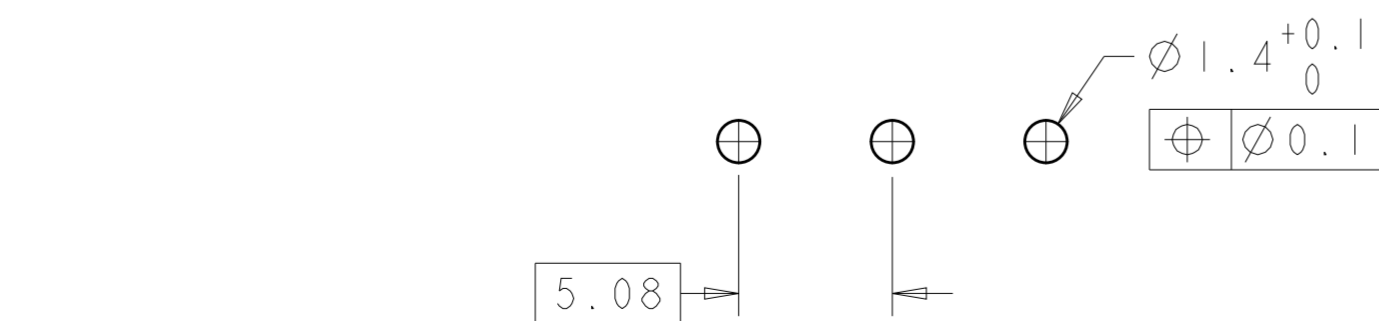
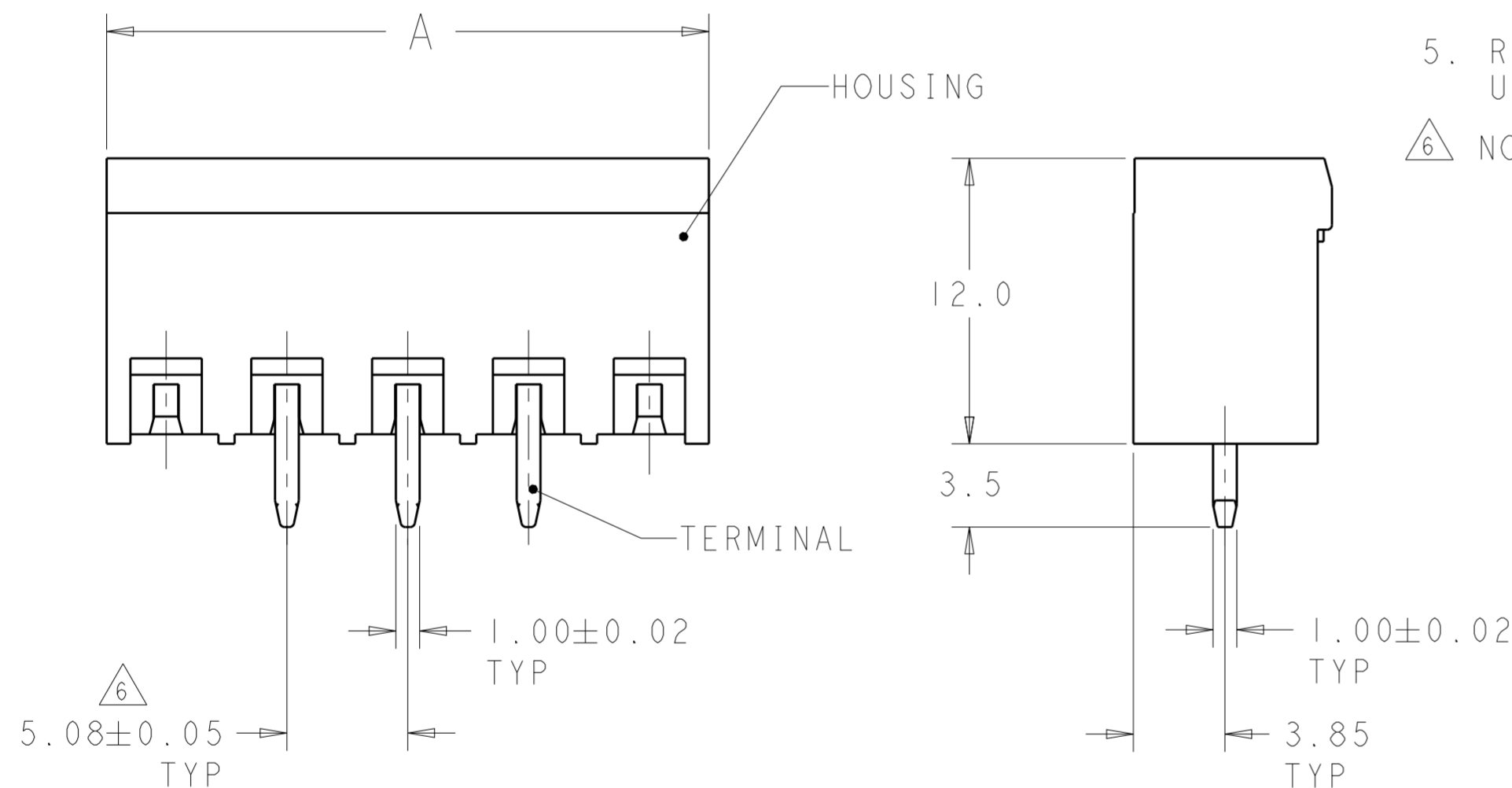
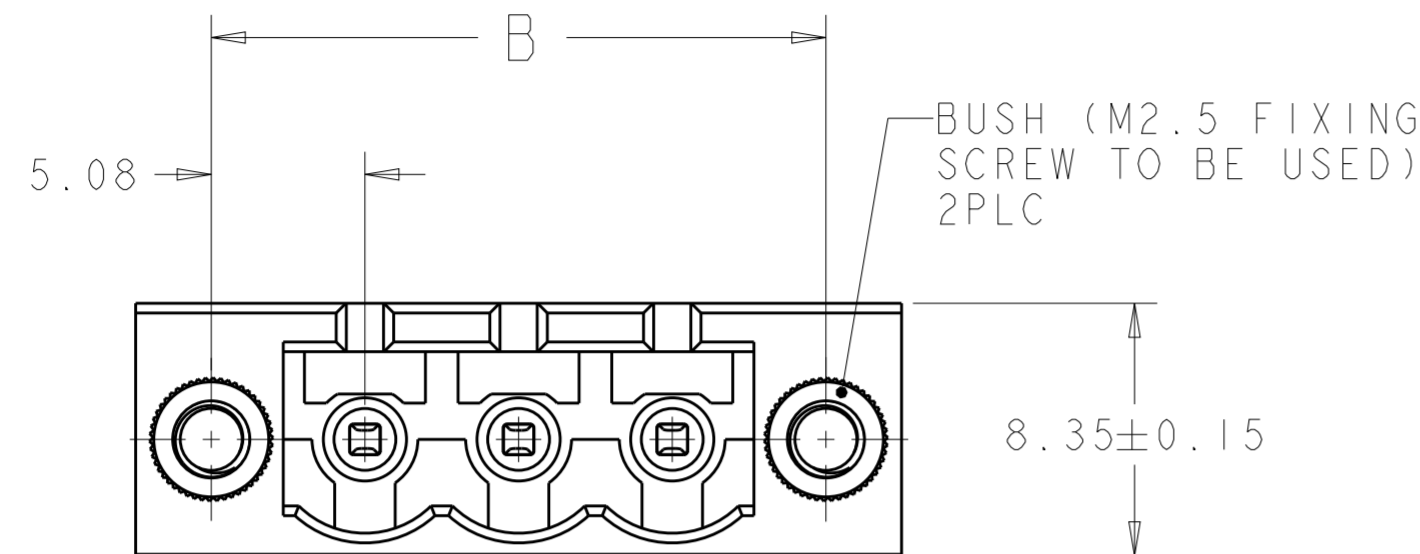


P	LTR	DESCRIPTION	DATE	DWN	APVD
B6		BUSH PART INFORMATION ADDED	13APR2018	RK	PS
B7		PART OBSOLETE	02SEP2020	DV	PS

NOTES:

- MATERIALS AND FINISH:  
HOUSING: PA 6-6, UL 94V-0, COLOR: SEE TABLE.  
TERMINAL: COPPER ALLOY, PLATING: SEE TABLE. OVER 2-3µm NICKEL  
BUSH : BRASS, NICKEL PLATED.
- MECHANICAL  
MIN. PC BOARD HOLES DIAMETER : 1.4 mm  
MAX. PC BOARD THICKNESS : 2.4 mm
- ELECTRICAL  
WIRE RANGE : 12-30 AWG  
MAX. VOLTAGE : 300 V  
MAX CURRENT : 15 A  
CONTACT RESISTANCE : <15 m Ohm  
INSULATION RESISTANCE : >1000 M Ohm (500V DC)
- OPERATING TEMPERATURE RANGE: -40°C TO +110°C
- RECOGNIZED UNDER THE COMPONENT PROGRAM OF UNDERWRITERS LABORATORIES INC. FILE NO. E60677.
- NOT CUMULATIVE TOLERANCE.



RECOMMENDED PC BOARD LAYOUT

OBSOLETE	GREEN	0.76µm GOLD	55.88	60.88	10	<del>2-796867-8</del>
	GRAY RAL7032	0.76µm GOLD	30.48	35.48	5	<del>2-796867-5</del>
	0.2µm GOLD	30.48	35.48	5	<del>2-796867-4</del>	
	TIN	121.92	126.92	23	2-796867-3	
	TIN	116.84	121.84	22	2-796867-2	
	TIN	111.76	116.76	21	2-796867-1	
	TIN	106.68	111.68	20	2-796867-0	
	TIN	101.60	106.60	19	1-796867-9	
	TIN	96.52	101.52	18	1-796867-8	
	TIN	91.44	96.44	17	1-796867-7	
	TIN	86.36	91.36	16	1-796867-6	
	TIN	81.28	86.28	15	1-796867-5	
	TIN	76.20	81.20	14	1-796867-4	
	TIN	71.12	76.12	13	1-796867-3	
	TIN	66.04	71.04	12	1-796867-2	
	TIN	60.96	65.96	11	1-796867-1	
	TIN	55.88	60.88	10	1-796867-0	
	TIN	50.80	55.80	9	796867-9	
	TIN	45.72	50.72	8	796867-8	
	TIN	40.64	45.64	7	796867-7	
	TIN	35.56	40.56	6	796867-6	
	TIN	30.48	35.48	5	796867-5	
	TIN	25.40	30.40	4	796867-4	
	TIN	20.32	25.32	3	796867-3	
	TIN	15.24	20.24	2	796867-2	
	GREEN					
COLOR	TERMINAL PLATING	B	A	NO OF POSN	PART NUMBER	

THIS DRAWING IS A CONTROLLED DOCUMENT.

DWN: S. WELDON 10 JUN 2002  
CHK: D. BIEVENOUR 10 JUN 2002  
APVD: D. BIEVENOUR 10 JUN 2002

**STE** TE Connectivity

NAME: TERMINAL BLOCK HEADER ASSEMBLY, VERTICAL, WITH LOCKING SCREW FLANGE, 5.08mm PITCH

SIZE: A2 CAGE CODE: 00779 DRAWING NO: C-796867

MATERIAL: SEE NOTES TOLERANCES UNLESS OTHERWISE SPECIFIED:  
0 PLC ±  
1 PLC ±0.3  
2 PLC ±0.25  
3 PLC ±  
4 PLC ±  
ANGLES ±  
FINISH SEE NOTES

PRODUCT SPEC: -  
APPLICATION SPEC: -  
WEIGHT: -

CUSTOMER DRAWING SCALE: 4:1 SHEET: 1 OF 1 REV: B7

## X-ON Electronics

Largest Supplier of Electrical and Electronic Components

*Click to view similar products for [Pluggable Terminal Blocks](#) category:*

*Click to view products by [TE Connectivity](#) manufacturer:*

Other Similar products are found below :

[57.510.0053](#) [MC 1.5/ 6-ST-3.5 GY AU](#) [ET02015000J0G](#) [734-104](#) [734-302](#) [8-141-P](#) [8426620000](#) [860505](#) [860516](#) [860810](#) [GBPACX-12](#)  
[93.731.4953.0](#) [PV05-5,08-K](#) [PVP03-3,50](#) [PVP04-3,50](#) [PVS02-5,00](#) [1-1986160-3](#) [1377680000](#) [1531000000](#) [1546228-5](#) [ELFH16150](#)  
[ELFP03110](#) [ELFP10210](#) [ELFT06250](#) [ELVP03100](#) [1700101](#) [1700410](#) [1700425](#) [1702246](#) [1705229](#) [1710175](#) [1714537](#) [1717806](#) [1719600](#)  
[1728941](#) [1734692](#) [1734795](#) [1736036](#) [1740194](#) [1740628](#) [1740990](#) [1746952](#) [1750207](#) [1752441](#) [1752865](#) [1754115](#) [1754144](#) [1756913](#)  
[1760051](#) [1760336](#)