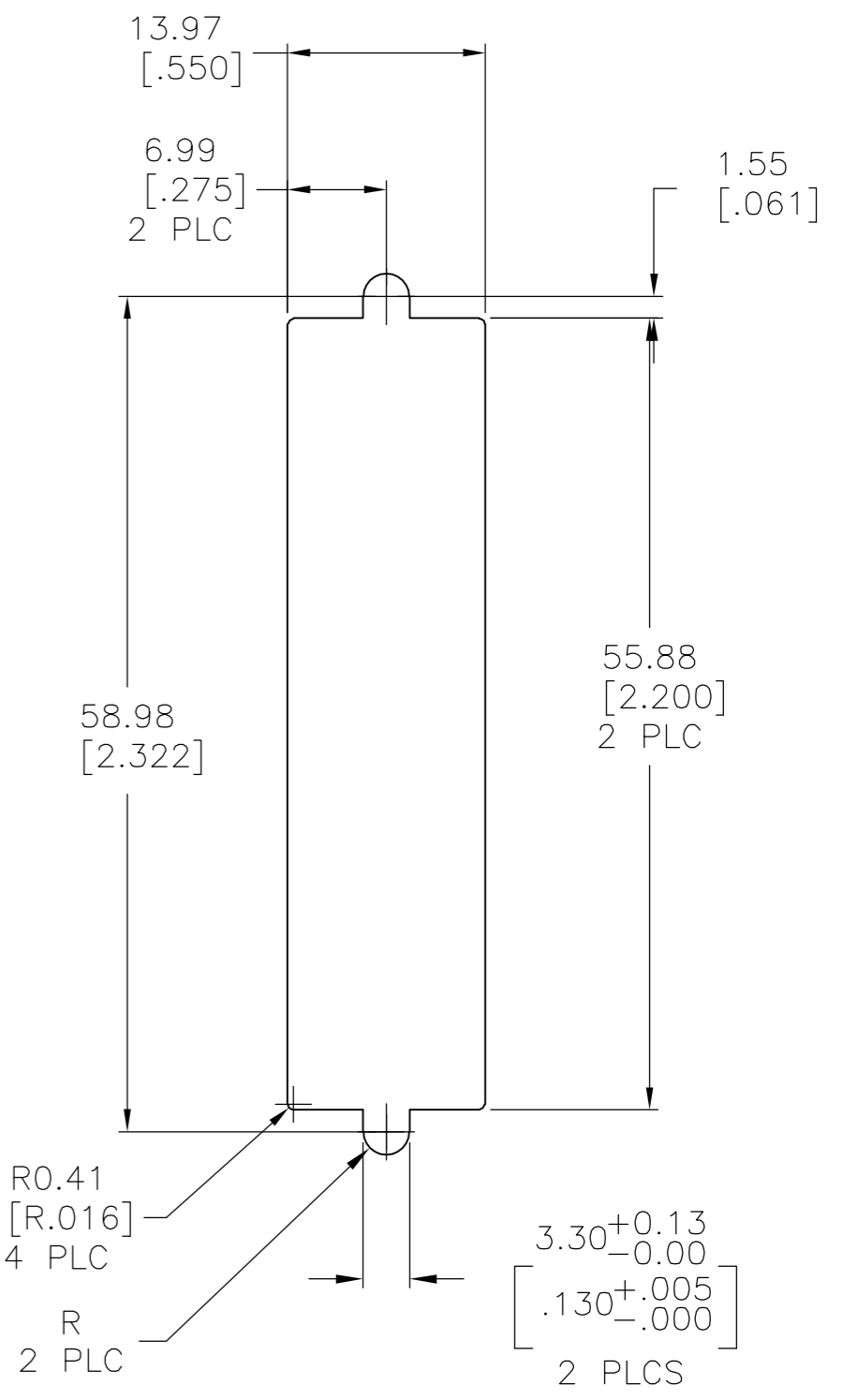
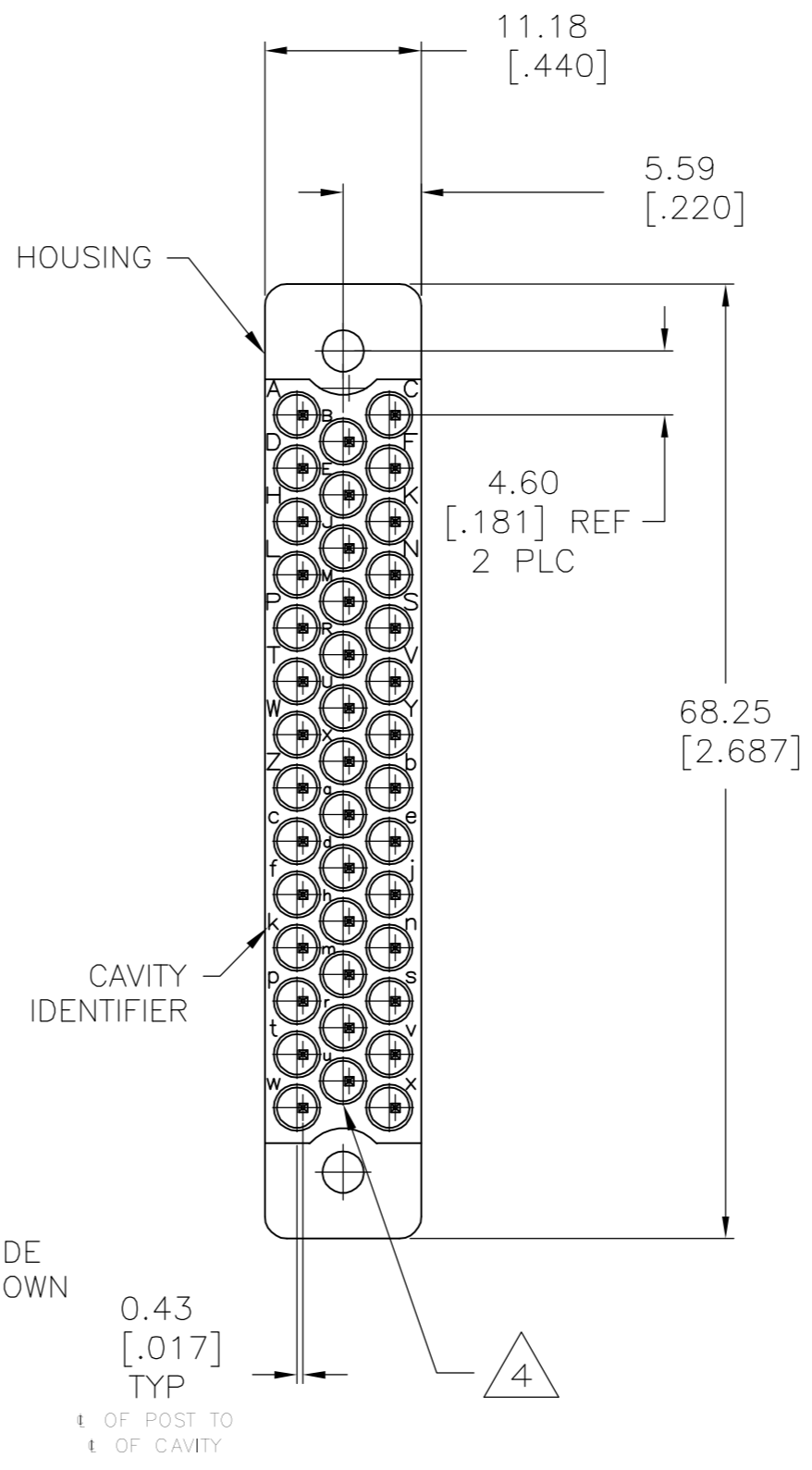
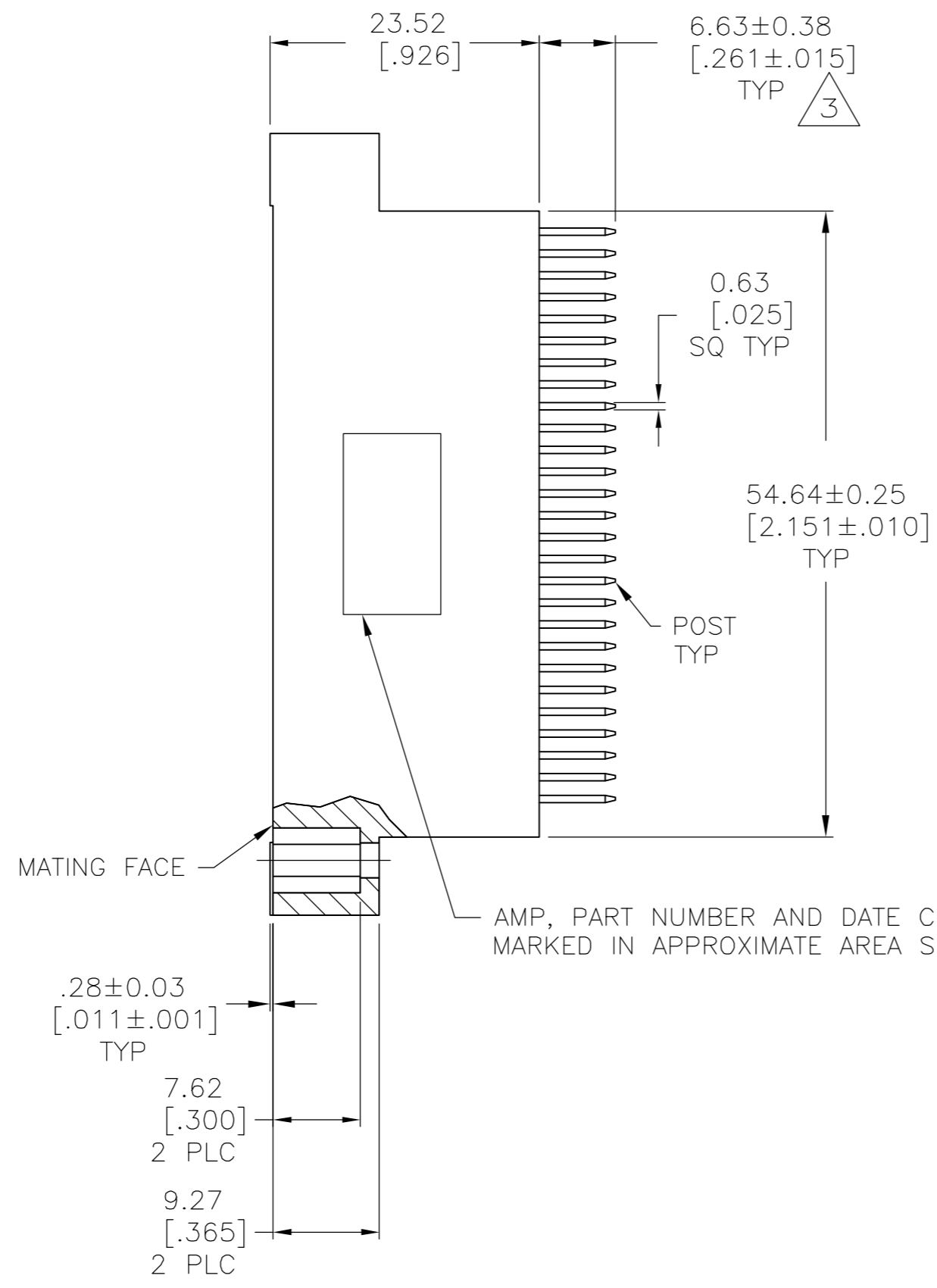
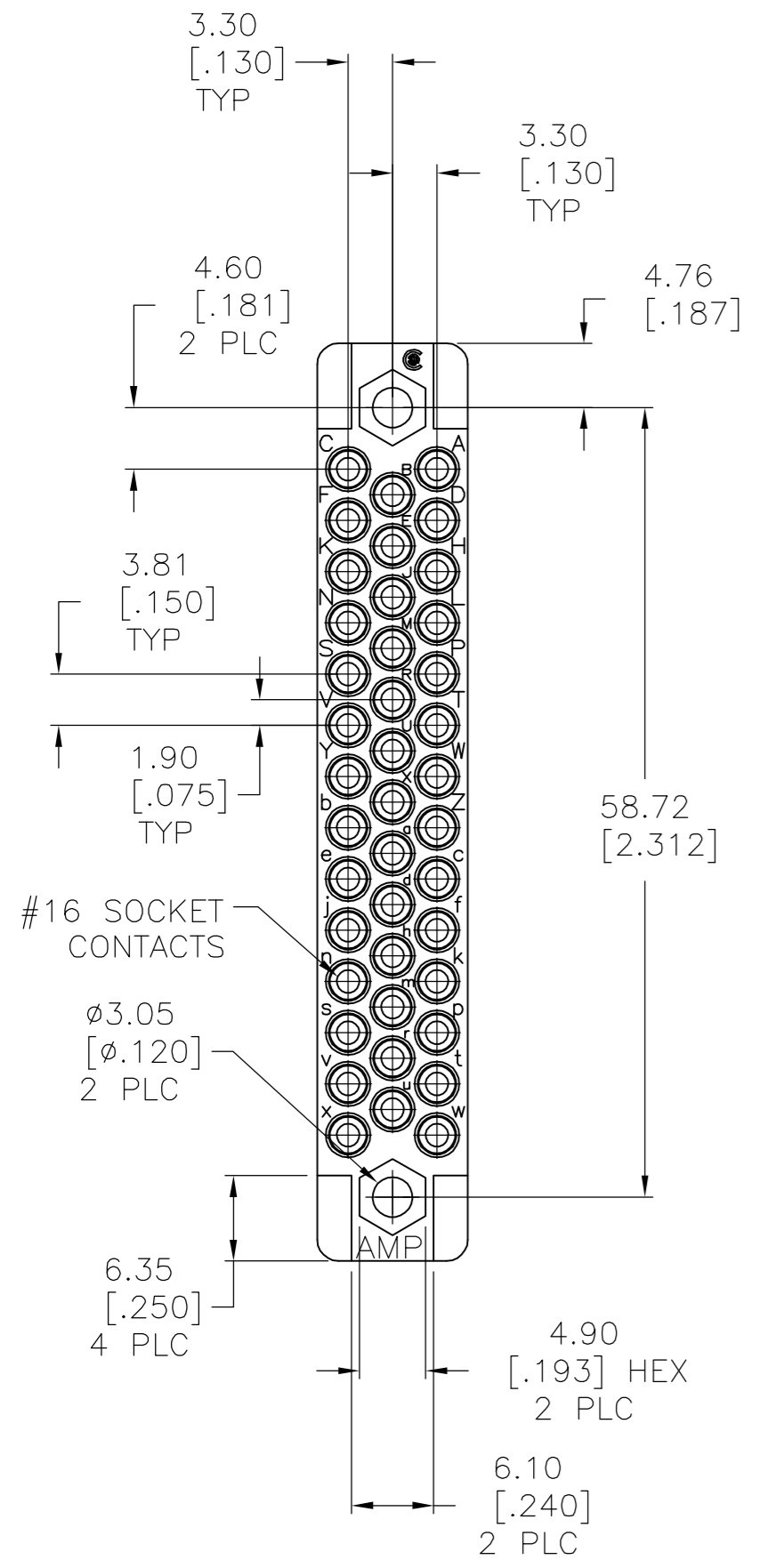


THIS DRAWING IS UNPUBLISHED. RELEASED FOR PUBLICATION
 © COPYRIGHT BY TYCO ELECTRONICS CORPORATION. ALL RIGHTS RESERVED.

LOC	DIST	REVISIONS					
FT	0	P	LTR	DESCRIPTION	DATE	DWN	APVD
		C1		REVISED PER ECO-06-5544	3/14/06	SS	GS



- 1 HOUSING: DIALLYL PHTHALATE, BLUE.
CONTACT BODY & POST: BRASS.
CONTACT SPRING: STAINLESS STEEL.
- 2 CONTACT BODY: 0.76um [.000030] MIN GOLD INTERNALLY FOR A LENGTH OF 5.08[.200] MIN FROM MATING END,
GOLD FLASH ON THE REMAINDER OVER 0.76um[.000030] MIN NICKEL.
CONTACT POST: 2.54um [.000100] MIN TIN-LEAD OVER 2.54um[.000100] MIN COPPER.
- 3 WHEN CONTACT IS FULLY SEATED FORWARD.
- 4 CONTACTS NOT LOADED IN MIDDLE ROW.
- 5 CONTACT BODY: 0.76um [.000030] MIN GOLD INTERNALLY FOR A LENGTH OF 5.08[.200] MIN FROM MATING END,
GOLD FLASH ON THE REMAINDER OVER 0.76um[.000030] MIN NICKEL.
CONTACT POST: 2.54um [.000100] MIN TIN OVER 2.54um[.000100] MIN COPPER.

THIS DRAWING IS A CONTROLLED DOCUMENT.		DWN S SCHLEGEL 5/15/02	Tyco Electronics Corporation Harrisburg, PA 17105-3608	
DIMENSIONS: mm [INCHES]		CHK H. SAID 5/15/02		
TOLERANCES UNLESS OTHERWISE SPECIFIED:		APVD H. SAID 5/15/02	NAME RCPT. ASSEMBLY, 41 POSITION, POSTED, M SERIES	
0 PLC ± -		PRODUCT SPEC	SIZE CAGE CODE DRAWING NO RESTRICTED TO	
1 PLC ± -		APPLICATION SPEC	A2 00779 C=796885	
2 PLC ± 0.13 [.005]		WEIGHT -	SCALE 2:1 SHEET 1 OF 1 REV C1	
3 PLC ± -		CUSTOMER DRAWING		
4 PLC ± -				
4 PLC ANGLES ± -				
FINISH -				

796885

X-ON Electronics

Largest Supplier of Electrical and Electronic Components

Click to view similar products for [Pin & Socket Connectors](#) category:

Click to view products by [TE Connectivity](#) manufacturer:

Other Similar products are found below :

[6450822-1](#) [770392-1](#) [794042-1](#) [796885-1](#) [8-794535-1](#) [881459-2](#) [R929993003](#) [1-350779-3](#) [1403611-1](#) [1-480349-5](#) [152302-5](#) [1586092-1](#)
[1586129-1](#) [1586487-1](#) [1586681-4](#) [1586700-1](#) [1586065-1](#) [1586077-1](#) [1586368-1](#) [1586380-1](#) [1586616-1](#) [1586680-5](#) [1586681-2](#) [1604996-1](#)
[16-06-0038](#) [164164-5](#) [1-6609930-1](#) [172296-1](#) [1-794714-6](#) [19-09-2035](#) [1969804-1](#) [200503-1](#) [200788-2](#) [201046-7](#) [202648-4](#) [2029076-2](#)
[2029090-4](#) [2029095-4](#) [2-66102-6](#) [925061-7](#) [926681-1](#) [293734-4](#) [293737-2](#) [1-765362-4](#) [1-794606-3](#) [1871534-1](#) [1969795-1](#) [1969798-1](#)
[1969800-1](#) [200833-4](#)