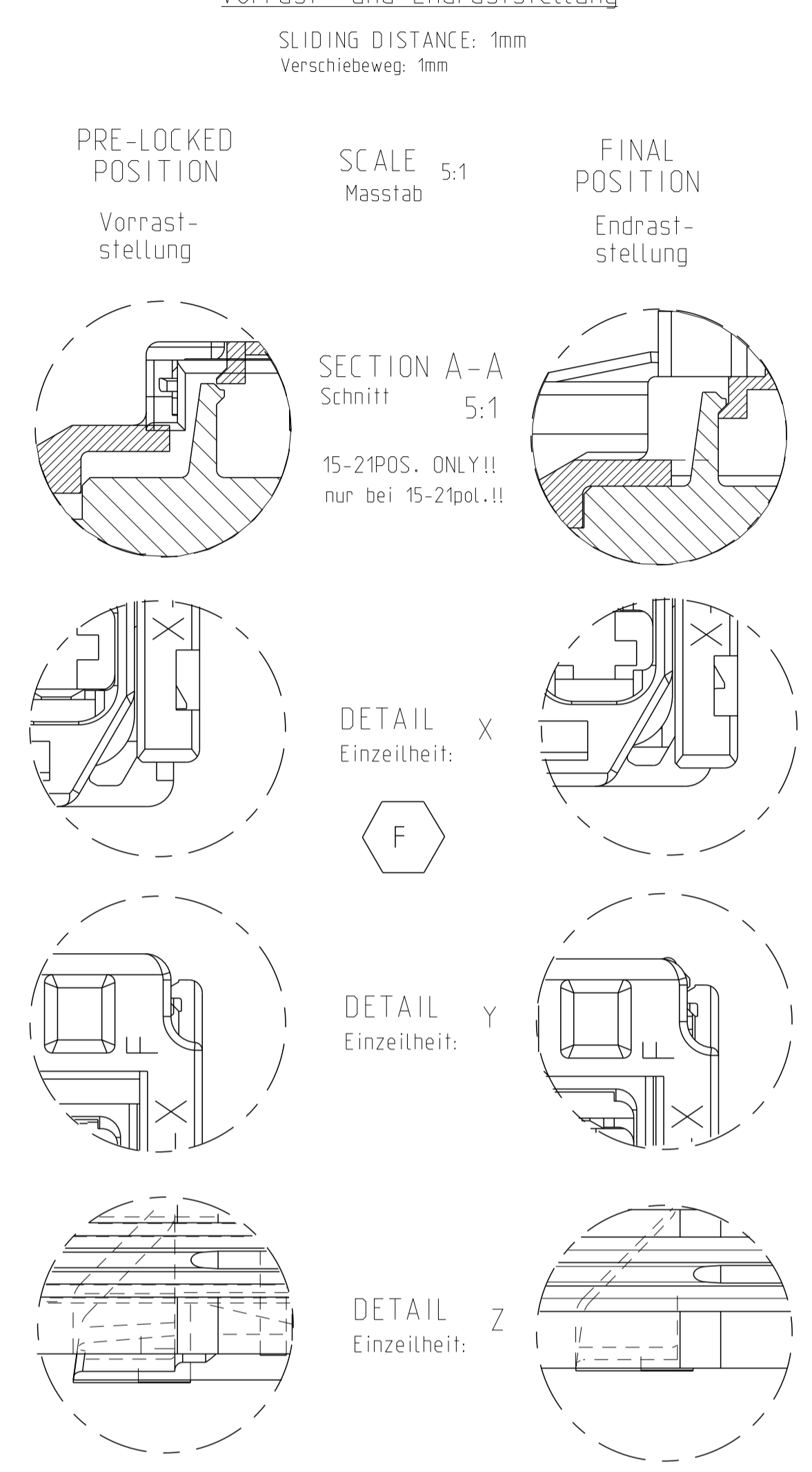


| MATED WITH / Passend zu: |  | PROJEKT NR. / PROJECT NO.: | LOC. / ORT: | DIST. / DISTRICT: | REVISIONS |      |      |       |
|--------------------------|--|----------------------------|-------------|-------------------|-----------|------|------|-------|
|                          |  | A97-52046                  | AI          | -                 | REV.      | DATE | BY   | APPV. |
| E                        | CHANGE OF BASE MATERIAL                    |                            |             |                   | 29SEP2018 | HO.  | SCHO |       |
| E1                       | PART REV. IN CHART ON SHEET 2 OF 2 REVISED |                            |             |                   | 29NOV2018 | MAH. | SCHO |       |
| E2                       | SEE PCN E-19-002255                        |                            |             |                   | 12FEB2019 | MAH. | SCHO |       |
| F                        | SEE PCN E-19-011087                        |                            |             |                   | 21JAN2020 | MAH. | SCHO |       |

NOTES  
Bemerkungen

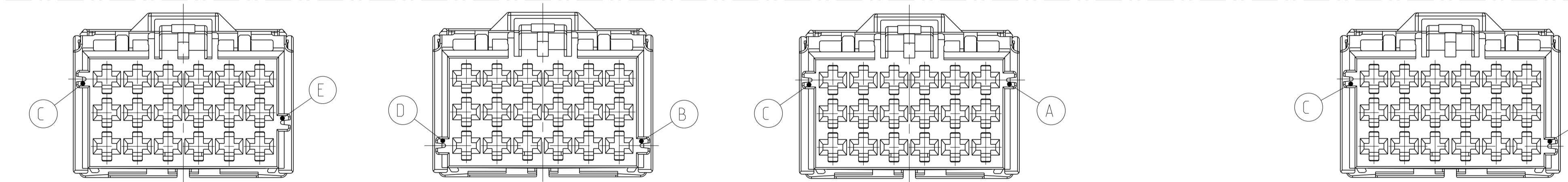
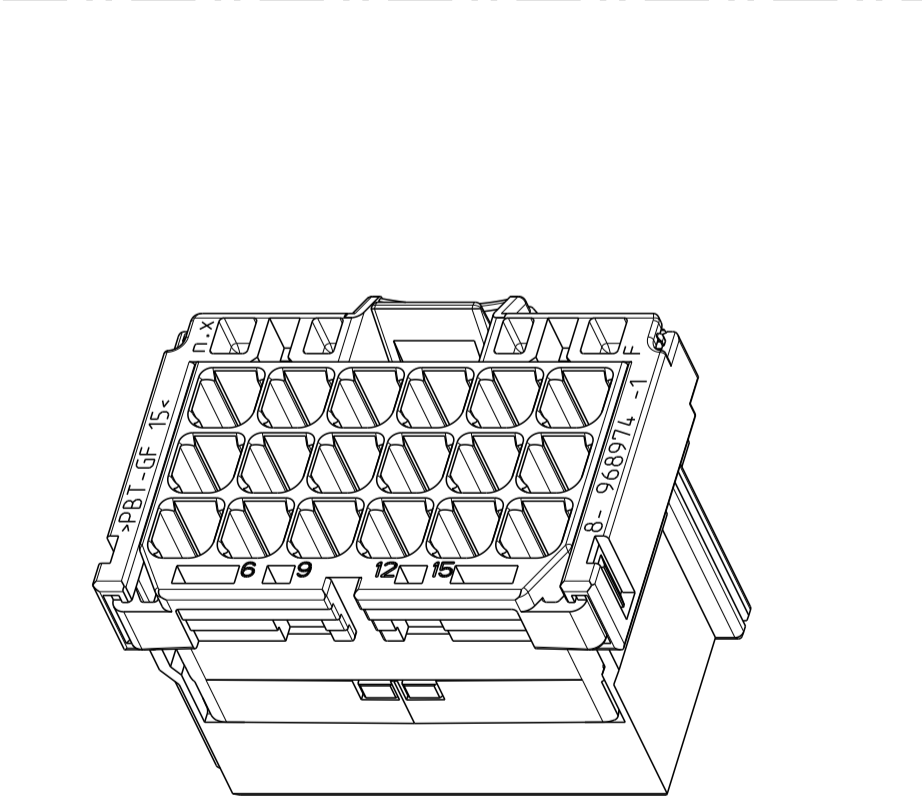
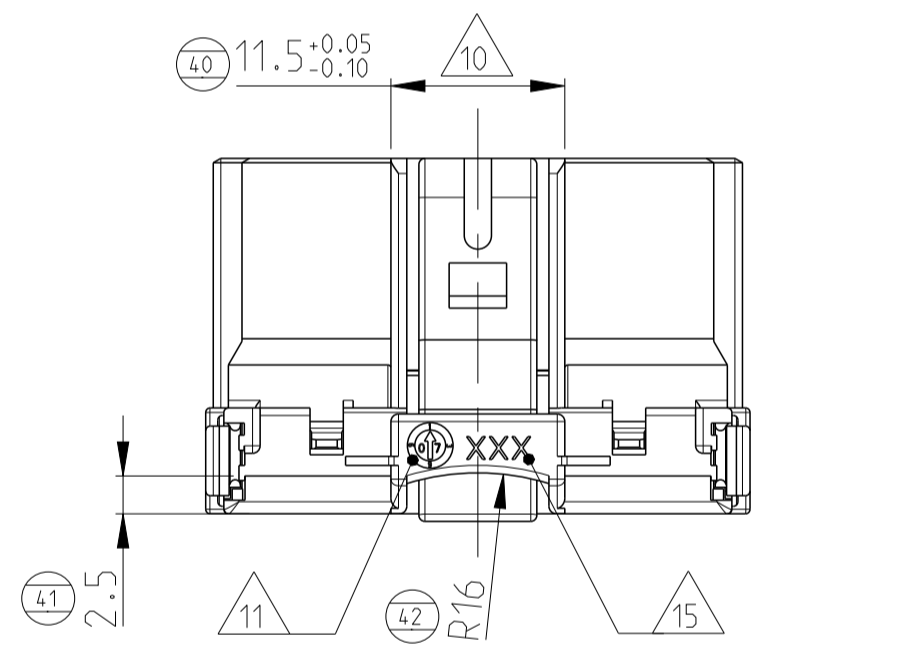
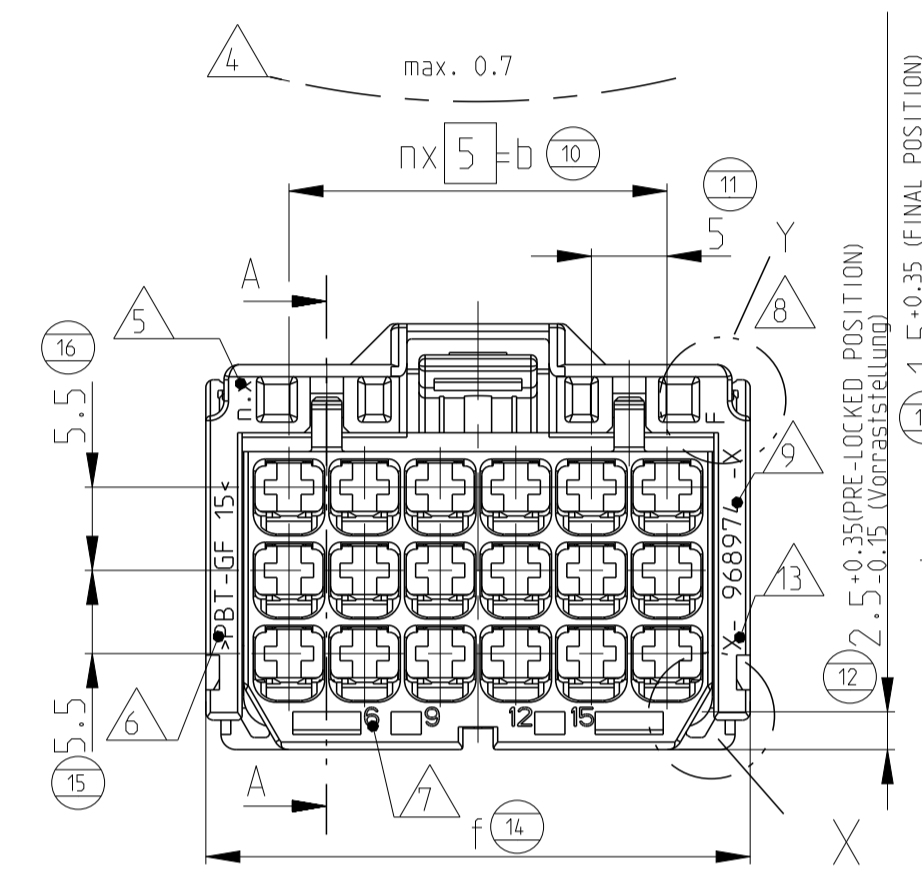
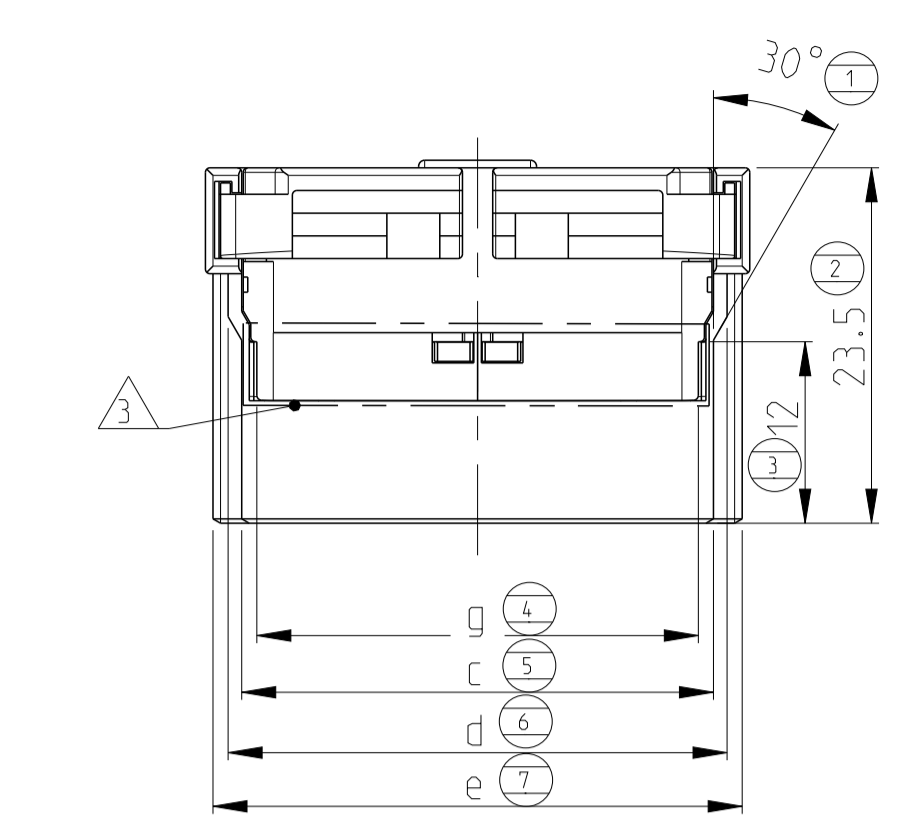
- MATING CONNECTOR FOR AMP MCP 2.8 HOUSING  
SEE DRAWINGS 1355072 (TAB HOUSINGS), 1964562 (TAB HOUSINGS), 966140 (TAB HEADER), 114-18085-025 (INTERFACE-DRAWING)  
Gegenstecker fuer AMP MCP 2.8 Gehaeuse siehe Zeichnungen 1355072 (Flachstecker-Gehaeuse), 1964562 (Flachstecker-Gehaeuse), 966140 (Messleiste), 114-18085-025 (Ausfuehrungsvorschrift)
- CAVITIES MATING WITH AMP MCP 2.8 CONTACTS (WITHOUT SWS. MAX. WIRE SIZE: 2.5mm<sup>2</sup> FLR) - SEE PRODUCT GROUP DRAWING: 1355036  
Kontaktkammern passend fuer AMP MCP 2.8 Kontakte (ohne EDS. max. Leitungsquerschnitt: 2.5mm<sup>2</sup> FLR) - siehe Produktgruppenzeichnung: 1355036
- DESIGN DEPENDS ON NUMBER OF WAYS  
Aussehen je nach Polzahl unterschiedlich
- WARPAGE TO ... PERMITTED  
Verzug bis ... zulaessig
- MOULD CAVITY-MARKING = X  
SERIAL MOULD-NUMBER = n. (if n>1 only)  
Nestmarkierung = X  
Serienwerkzeug-Nr. = n (nur wenn n>1)
- MATERIAL-MARKING ACC. TO VDA 260  
Werkstoffkennzeichnung nach
- CAVITY-MARKING  
Kammerbezeichnung
- THE REVISION STATUS OF THE MOULD  
Aenderungszustand des Werkzeuges
- TE PARTNUMBER  
TE Bestell-Nr. Teil
- WARPAGE TO 11.3 PERMITTED  
Verzug bis 11.3 zulaessig
- PRODUCTION-DATE  
Produktionsdatum
- PACKAGING: BULK PACKAGING IN CORRUGATED BOX - INDICATED BY PRE-DASH-NO.s 8-, 7-, 6-, 5-; THESE PRE-DASH-NO.s ARE ON PART NOW:  
Verpackung: Schuetttgut in Versandkarton - gekennzeichnet durch Vorstrichzahlen 8-, 7-, 6-, 5-; diese Vorstrichzahlen sind jetzt auch am Teil!
- MALFUNCTION CAUSED BY LACQUER IS NOT COVERED BY TE WARRANTY  
Funktionbeeintraechtigung durch Lackieren liegt nicht im Einfluss und Gewaehrleistungsumfang von TE
- COMPANY LOGO  
Firmenzeichen

PRE-LOCKED AND FINAL POSITION  
Vorrast- und Endraststellung



| WAYS | WAYS | WAYS | WAYS                              | WAYS                              | WAYS                              | WAYS | WAYS   | WAYS              | WAYS                         | WAYS | WAYS |
|------|------|------|-----------------------------------|-----------------------------------|-----------------------------------|------|--------|-------------------|------------------------------|------|------|
| 6    | 30   | 36.2 | 38                                | 39.9                              | 41                                | 34.2 | 11.6g  | 21                |                              |      |      |
| 5    | 25   | 31.2 | 33                                | 34.9                              | 36                                | 29.2 | 10.3g  | 18                |                              |      |      |
| 4    | 20   | 26.2 | 28                                | 29.9                              | 31                                | 15.5 | 9.0g   | 15                |                              |      |      |
| 3    | 15   | 21.2 | 23                                | 24.9                              | 26                                | 10.5 | 7.7g   | 12                |                              |      |      |
| 2    | 10   | 16.2 | 18                                | 19.9                              | 21                                | 5.5  | 6.3g   | 9                 |                              |      |      |
| 1    | 5    | 11.2 | 13                                | 14.9                              | 16                                | 4.5  | 4.9g   | 6                 |                              |      |      |
| M1:1 | n    | b    | c <sup>+0.1</sup> <sub>-0.3</sub> | d <sup>+0.4</sup> <sub>-0.3</sub> | e <sup>+0.2</sup> <sub>-0.5</sub> | f    | g±0.25 | WEIGHT<br>Gewicht | NUMBER OF<br>WAYS<br>Polzahl |      |      |

8-968974-1 AS SHOWN IN PRE-LOCKED POSITION  
wie gezeichnet in Vorraststellung



| CODING / Kodierung D<br>RIB / Rippe: C-E |                                |     |                                  | CODING / Kodierung C<br>RIB / Rippe: B-D |                                |     |                         | CODING / Kodierung B<br>RIB / Rippe: A-C |                                |     |                 | CODING / Kodierung A<br>RIB / Rippe: B-C |                                |     |                 | MECHAN. CODING<br>mechan. Kodierung   |                                |              |                               |            |                                     |                       |               |  |           |   |    |               |
|--|--------------------------------|-----|----------------------------------|--|--------------------------------|-----|-------------------------|--|--------------------------------|-----|-----------------|--|--------------------------------|-----|-----------------|---------------------------------------|--------------------------------|--------------|-------------------------------|------------|-------------------------------------|-----------------------|---------------|--|-----------|---|----|---------------|
|  | 5-968975-1                     | F   | CLARET VIOLET<br>Bordeauxviolett |  | 6-968975-1                     | F   | LIGHT BLUE<br>Lichtblau |  | 7-968975-1                     | F   | NATURE<br>natur |  | 8-968975-2                     | F   | GREY<br>grau    |                                       | 8-968975-1                     | F            | BROWN<br>braun                |            | 1                                   | 21                    | POS.<br>polig | AMP MCP 2.8 HOUSING<br>AMP MCP 2.8 Gehäuse | PBT-GF 15 |   |    |               |
|  | 5-968974-1                     | F   |                                  |  | 6-968974-1                     | F   |                         |  | 7-968974-1                     | F   |                 |  |                                |     |                 | -                                     | -                              | -            |                               | 8-968974-1 | F                                   | GREY<br>grau          |               |  |           | 1 | 18 | POS.<br>polig |
|  | 5-968973-1                     | F   |                                  |  | 6-968973-1                     | F   |                         |  | 7-968973-1                     | F   |                 |  |                                |     |                 | 8-968973-2                            | F                              | GREY<br>grau |                               | 8-968973-1 | F                                   | VIOLET<br>violett     |               |  |           | 1 | 15 | POS.<br>polig |
|  | 5-968972-1                     | F   |                                  |  | 6-968972-1                     | F   |                         |  | 7-968972-1                     | F   |                 |  |                                |     |                 | 8-968972-2                            | F                              | GREY<br>grau |                               | 8-968972-1 | F                                   | GREEN<br>gruen        |               |  |           | 1 | 12 | POS.<br>polig |
|  | 5-968971-1                     | F   |                                  |  | 6-968971-1                     | F   |                         |  | 7-968971-1                     | F   |                 |  |                                |     |                 | 8-968971-2                            | F                              | GREY<br>grau |                               | 8-968971-1 | F                                   | YELLOW<br>gelb        |               |  |           | 1 | 9  | POS.<br>polig |
|  | 5-968970-1                     | F   |                                  | 6-968970-1                               | F                              |     | 7-968970-1              | F  |                                |     |                 |  | 8-968970-2                     | F   | GREY<br>grau    |                                       | 8-968970-1                     | F            | GENTIAN<br>BLUE<br>Enzianblau |            | 1                                   | 6                     | POS.<br>polig |  |           |   |    |               |
| CUSTOMER PART NO.<br>Kunden-Teile-Nr.    | TE ORDER-NO.<br>TE Bestell-Nr. | REV | COLOUR<br>Farbe                  | CUSTOMER PART NO.<br>Kunden-Teile-Nr.    | TE ORDER-NO.<br>TE Bestell-Nr. | REV | COLOUR<br>Farbe         | CUSTOMER PART NO.<br>Kunden-Teile-Nr.    | TE ORDER-NO.<br>TE Bestell-Nr. | REV | COLOUR<br>Farbe | CUSTOMER PART NO.<br>Kunden-Teile-Nr.    | TE ORDER-NO.<br>TE Bestell-Nr. | REV | COLOUR<br>Farbe | CUSTOMER PART NO.<br>Kunden-Teile-Nr. | TE ORDER-NO.<br>TE Bestell-Nr. | REV          | COLOUR<br>Farbe               | POS.       | DESCRIPTION<br>Benennung Einzelteil | MATERIAL<br>Werkstoff |               |  |           |   |    |               |

THIS DRAWING IS A CONTROLLED DOCUMENT.

APPROVED: R. Huebner 19JAN1998  
CHK: J. Hass 19JAN1998  
APPROVED: M. Bleicher 18JAN2008

TE Connectivity

PRODUCT GROUP DRAWING FOR: AMP MCP 2.8 HSG. 6-21POS. WITH SECONDARY LOCKING DEVICE  
Produkt-Gruppen-Zeichnung fuer: AMP MCP 2.8 Gehaeuse. 6-21polig mit zweiter Kontaktsicherung

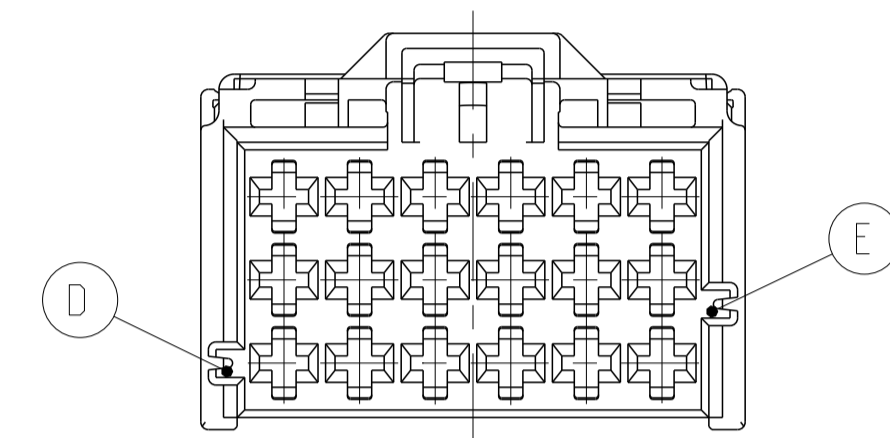
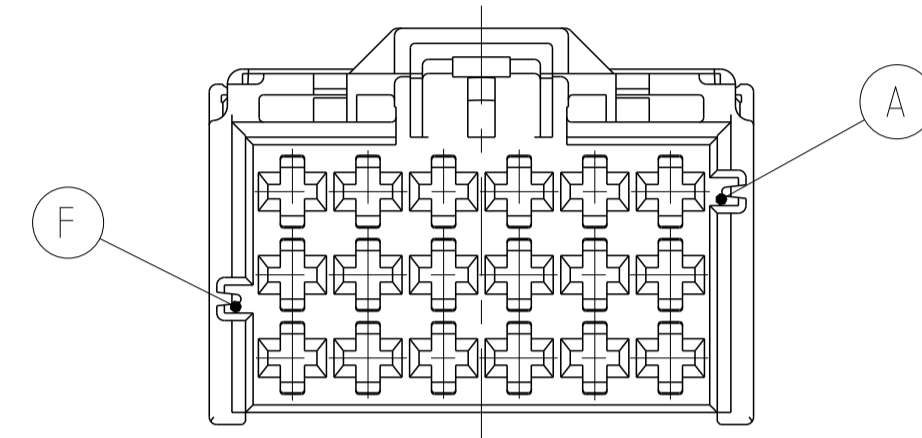
SIZE: 108-18619-3  
APPLICATION SPEC: 114-94624

WEIGHT: SEE TABLE  
CUSTOMER DRAWING

SCALE: 2:1 SHEET 1 OF 2 REV F

| MATED WITH /<br>PASSEND ZU: |      | PROJEKT NR.<br>A97-52046 | LOC<br>A1 | DIST<br>- | REVISIONS |  |  |  |
|-----------------------------|------|--------------------------|-----------|-----------|-----------|--|--|--|
| P.                          | LTN. | DESCRIPTION              | DATE      | DMN       | APVD      |  |  |  |
| -                           | -    | SEE SHEET 1              | -         | -         | -         |  |  |  |
|                             |      |                          |           |           |           |  |  |  |
|                             |      |                          |           |           |           |  |  |  |

## ADDITIONAL CODINGS / Zusätzliche Kodierungen



| CODING / Kodierung F                             |                                |        | MECHANICAL CODING: mechanische Kodierung: |                       |
|--|--------------------------------|--------|---|-----------------------|
| RIBS / Nuten: A-F                                |                                |        |   |                       |
| 9-968975-2                                       | F                              |        | 21 POS. pol.                              | PBT-GF15              |
| 9-968974-2                                       | F                              |        | 18 POS. pol.                              |                       |
|  |                                |        | 15 POS. pol.                              |                       |
| 9-968972-2                                       | F                              | ORANGE | 12 POS. pol.                              |                       |
|  |                                |        | 9 POS. pol.                               |                       |
| 9-968970-2                                       | F                              |        | 6 POS. pol.                               |                       |
| CUSTOMER PART NUMBER<br>Kunden-Einzelteil-Nummer | TE ORDER-NO.<br>TE Bestell-Nr. | REV.   | DESCRIPTION<br>Benennung Einzelteil       | MATERIAL<br>Werkstoff |

F

| CODING / Kodierung E                             |                                |               | MECHANICAL CODING: mechanische Kodierung: |                       |
|--|--------------------------------|---------------|---|-----------------------|
| RIBS / Nuten: E-D                                |                                |               |   |                       |
| 4-968975-1                                       | F                              |               | 21 POS. pol.                              | PBT-GF15              |
| 4-968974-1                                       | F                              |               | 18 POS. pol.                              |                       |
|  |                                |               | 15 POS. pol.                              |                       |
| 4-968972-1                                       | F                              | EMERALD GREEN | 12 POS. pol.                              |                       |
|  |                                |               | 9 POS. pol.                               |                       |
| 4-968970-1                                       | F                              |               | 6 POS. pol.                               |                       |
| CUSTOMER PART NUMBER<br>Kunden-Einzelteil-Nummer | TE ORDER-NO.<br>TE Bestell-Nr. | REV.          | DESCRIPTION<br>Benennung Einzelteil       | MATERIAL<br>Werkstoff |

F

|  |   |                                     |                        |                     |  |
|--|---|-------------------------------------|------------------------|---------------------|--|
| THIS DRAWING IS A CONTROLLED DOCUMENT. |   | DMN<br>R. Huebner<br>CHK<br>J. Haas | 19JAN1998<br>19JAN1998 | <br>TE Connectivity | NAME<br>PRODUCT GROUP DRAWING FOR: AMP MCP 2.8 HSG.<br>6-21POS. WITH SECONDARY LOCKING DEVICE<br>Produkt-Gruppen-Zeichnung fuer: AMP MCP 2.8 Gehaeuse.<br>6-21polig mit zweiter Kontaktsicherung |
| DIMENSIONS:<br>mm                      | TOLERANCES UNLESS OTHERWISE SPECIFIED:<br>H, DR 9001 - 90         | APVD<br>M. Bleicher                 | 18JAN2008              |                     |  |
|  | 0 PLC ±<br>1 PLC ±<br>2 PLC ±<br>3 PLC ±<br>4 PLC ±<br>ANGLES ±2° | APPLICATION SPEC                    |                        | RESTRICTED TO       |  |
| MATERIAL<br>SEE PARTS LIST             | FINISH<br>SEE PARTS LIST  | WEIGHT<br>SEE TABLE                 | A1 00779               | SCALE<br>2:1        |  |
| CUSTOMER DRAWING                       |   | CAGE CODE DRAWING NO<br>00779       |                        | SHEET<br>2 OF 2     |  |
|  |   | ©=1355073                           |                        | REV<br>F            |  |

## X-ON Electronics

Largest Supplier of Electrical and Electronic Components

*Click to view similar products for [Automotive Connectors](#) category:*

*Click to view products by [TE Connectivity](#) manufacturer:*

Other Similar products are found below :

[003-018-000](#) [60403001](#) [60993906-B](#) [M902-2131](#) [M902-2161](#) [M902-2344](#) [72.330.1035.1](#) [73.353.4028.0](#) [F119300-B](#) [F166900](#) [F258300-B](#)  
[F358300-B](#) [F407400](#) [F444110](#) [F487000](#) [F509500B-B](#) [827153-1](#) [8N1515-32-24P](#) [9-1326729-8](#) [925474-1](#) [928905-1](#) [964562-4](#) [968782-1](#)  
[GT17SA-8DS-HU](#) [98891-1012](#) [98947-1016](#) [12004147](#) [12004475-L](#) [12010290](#) [12010309-B](#) [12015454](#) [12020219-B](#) [12041318-B](#) [12052225-](#)  
[L](#) [12052466](#) [12064869](#) [12004327-B](#) [12015308](#) [12015384](#) [12015909](#) [1-21030-1](#) [12041254](#) [12041318](#) [12047946-B](#) [12047957](#) [12047957-L](#)  
[12059473](#) [12066261](#) [12110546](#) [12110546-B](#)