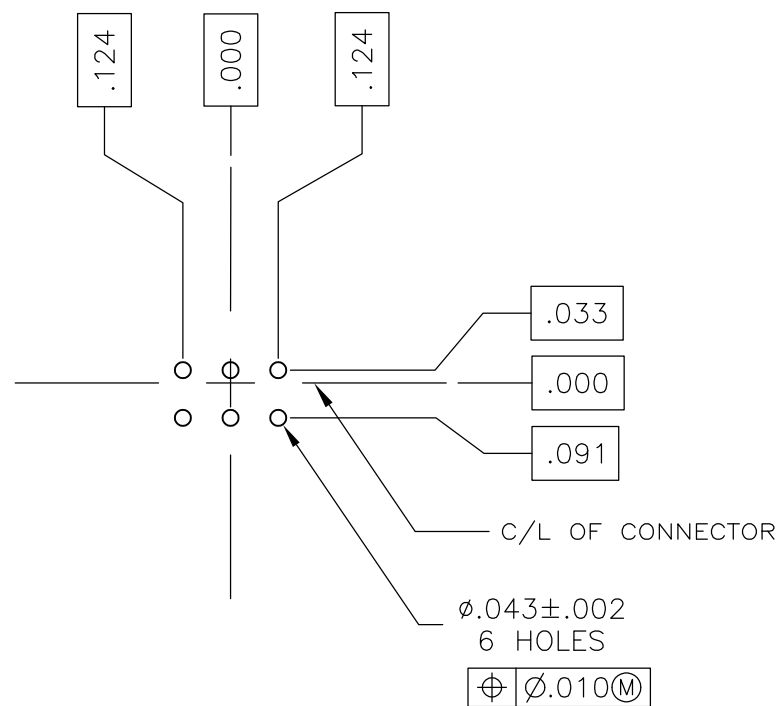
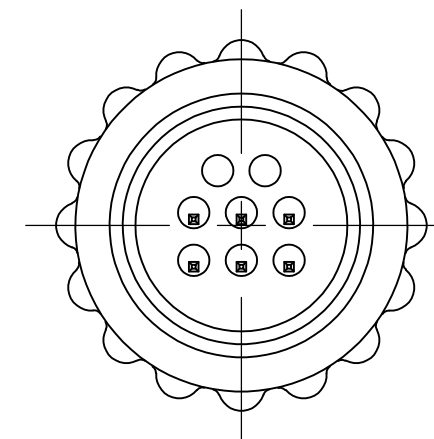
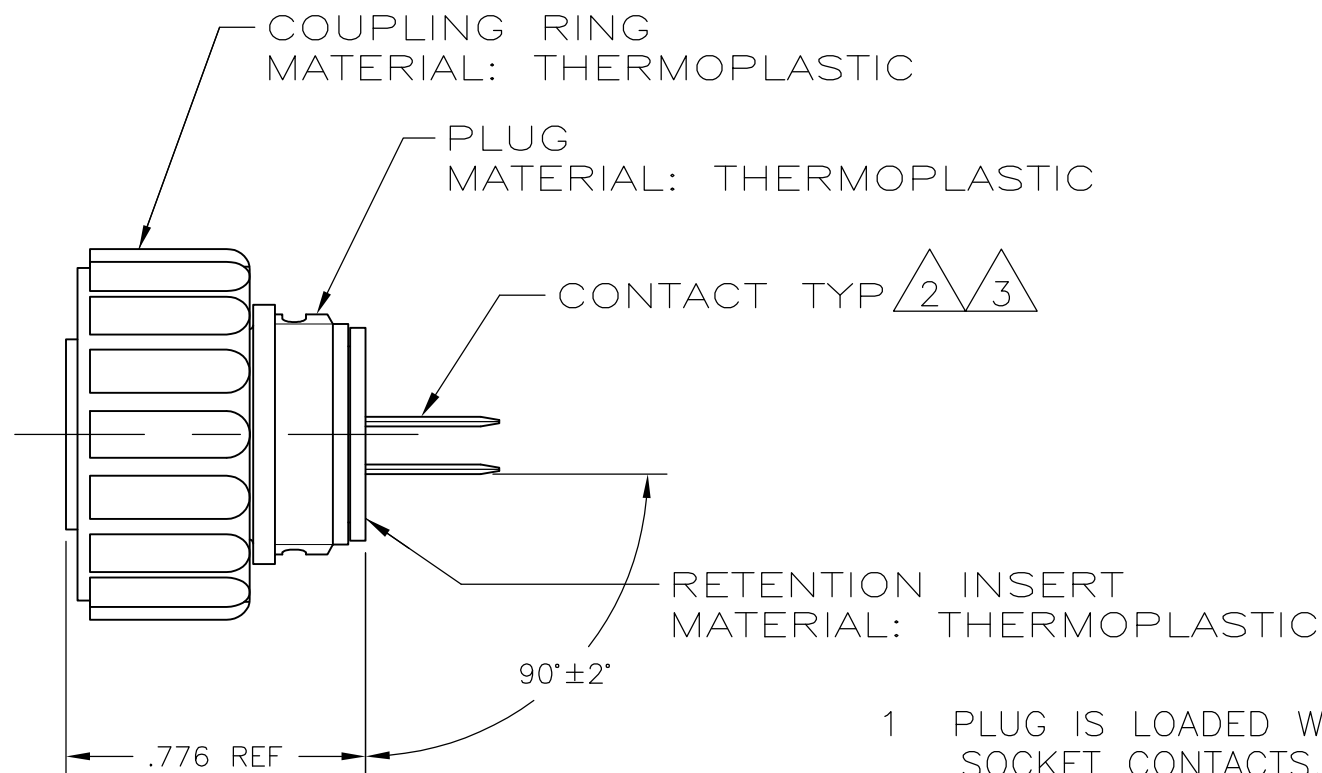
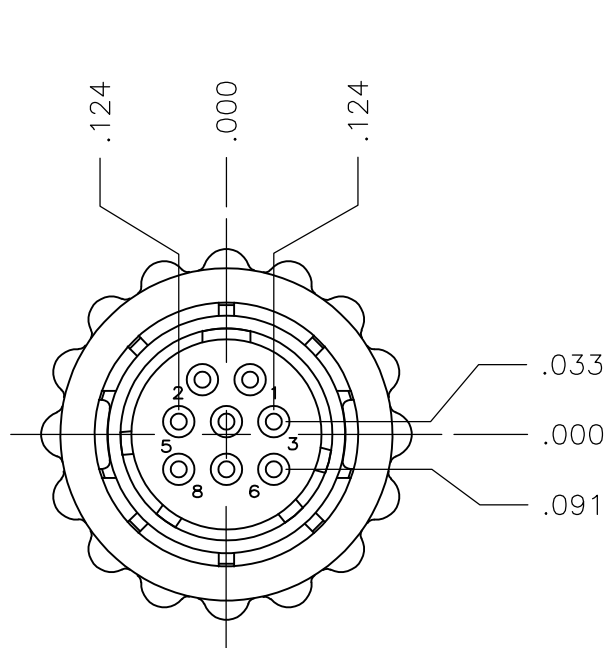
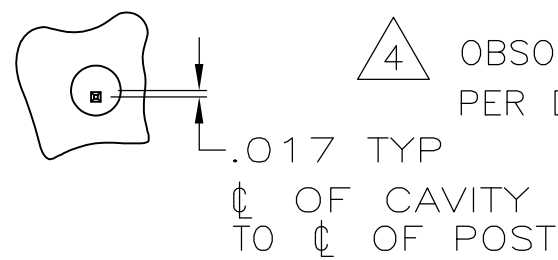


THIS DRAWING IS UNPUBLISHED. RELEASED FOR PUBLICATION
 © COPYRIGHT BY TYCO ELECTRONICS CORPORATION. ALL INTERNATIONAL RIGHTS RESERVED.

LOC	DIST	REVISIONS			
P	LTR	DESCRIPTION	DATE	DWN	APVD
FT	0	A	NEW DRAWING PER ECO-08-022303	15SEP08	HMR BC
		A1	REVISED PER ECO-09-023313	09OCT09	KK AEG



- 1 PLUG IS LOADED WITH 6, SIZE 20 DF POSTED SOCKET CONTACTS. POSITION 1 & 2 VACANT
- 2 .000030 MIN GOLD ON LOCALIZED GOLD PLATE AREA, .000100 MIN TIN-LEAD ON LOCALIZED TIN PLATE AREA, ALL OVER .000050 MIN NICKEL.
- 3 GOLD FLASH ON LOCALIZED GOLD PLATE AREA, .000100 MIN TIN ON LOCALIZED TIN PLATE AREA, ALL OVER .000050 MIN NICKEL.
- 4 OBSOLETE PARTS: OBSOLETE CIS STREAMLINING PER D.RENAUD/D.SINISI



POST ARRANGEMENT ON REAR FACE

4	OBSOLETE	3	1-796902-1
		2	796902-1
		FINISH	PART NO

RECOMMENDED P.C. BOARD LAYOUT

THIS DRAWING IS A CONTROLLED DOCUMENT.		DWN RAGHAVENDRA 15SEP08	Tyco Electronics Corporation Harrisburg, PA 17105-3608													
DIMENSIONS: INCHES		CHK CHANEY BRIAN 15SEP08	NAME													
TOLERANCES UNLESS OTHERWISE SPECIFIED:		APVD CHANEY BRIAN 15SEP08	PLUG ASSEMBLY STD SEX, POSTED SERIES 2, 11-8, CPC													
<table border="0"> <tr><td>0 PLC</td><td>± -</td></tr> <tr><td>1 PLC</td><td>± -</td></tr> <tr><td>2 PLC</td><td>± -</td></tr> <tr><td>3 PLC</td><td>± .005</td></tr> <tr><td>4 PLC</td><td>± -</td></tr> <tr><td>ANGLES</td><td>± -</td></tr> </table>		0 PLC	± -	1 PLC	± -	2 PLC	± -	3 PLC	± .005	4 PLC	± -	ANGLES	± -	PRODUCT SPEC	SIZE	CAGE CODE
0 PLC	± -															
1 PLC	± -															
2 PLC	± -															
3 PLC	± .005															
4 PLC	± -															
ANGLES	± -															
MATERIAL		APPLICATION SPEC	WEIGHT	DRAWING NO												
		FINISH		RESTRICTED TO												
		CUSTOMER DRAWING		SCALE 2:1 SHEET 1 OF 1 REV A1												

X-ON Electronics

Largest Supplier of Electrical and Electronic Components

Click to view similar products for [Standard Circular Connector](#) category:

Click to view products by [TE Connectivity](#) manufacturer:

Other Similar products are found below :

[5M2530B10P](#) [600259N006](#) [600273N007](#) [6134-336-13149](#) [6134-337-11149](#) [6134-337-2390](#) [6134-341-17149](#) [6280-4SG-516](#) [6280-7SG-3DC](#)
[6290](#) [6291A](#) [66200A-10](#) [680-SMG](#) [681-PMG](#) [CXS3102A14S2P](#) [CXS3102A181S](#) [7271-6SG-300](#) [7282-3PG-300-CH3](#) [75-474014-05S](#) [75-](#)
[474618-01S](#) [75-474618-04P](#) [75-474618-04S](#) [799539-000](#) [MI8-SE](#) [805-005-07NF11-19PC](#) [805-005-07NF15-7PA](#) [8280-4PG-516](#) [8280-7PG-](#)
[519](#) [8282-5PG-519](#) [836783-1](#) [MP-4102-25P-C](#) [862256-1](#) [864019-2](#) [866857-1](#) [867865-1](#) [PT01SP-14-18P](#) [PT08P-14-5S](#) [120-1833-000](#)
[QCM019PC2DC012B](#) [1-2069279-1](#) [121583-0217](#) [121667-0020](#) [129591AU](#) [1000B BULK](#) [RD10A16-19-P6CS051/1](#) [RD10A20-31-](#)
[P8CS051/1](#) [RD16A14-12-S6CS051/2](#) [1301240290](#) [1301240347](#) [1301860202](#) [1301240268](#)