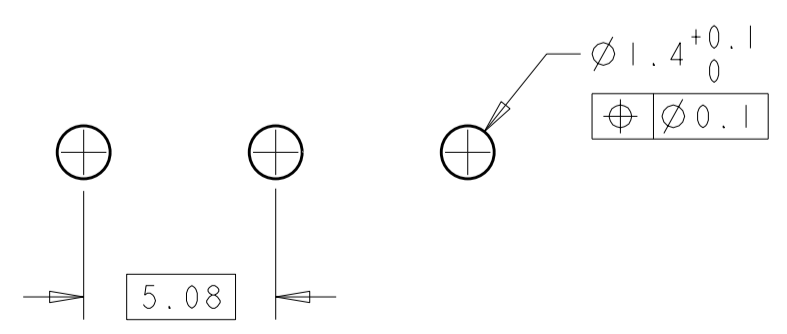
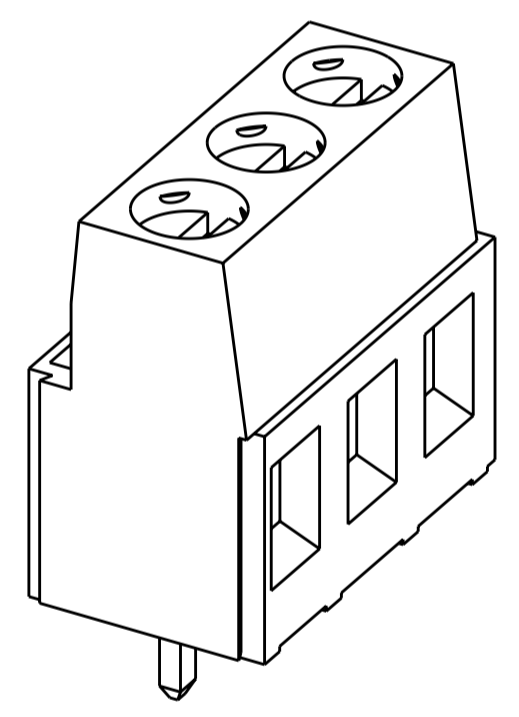
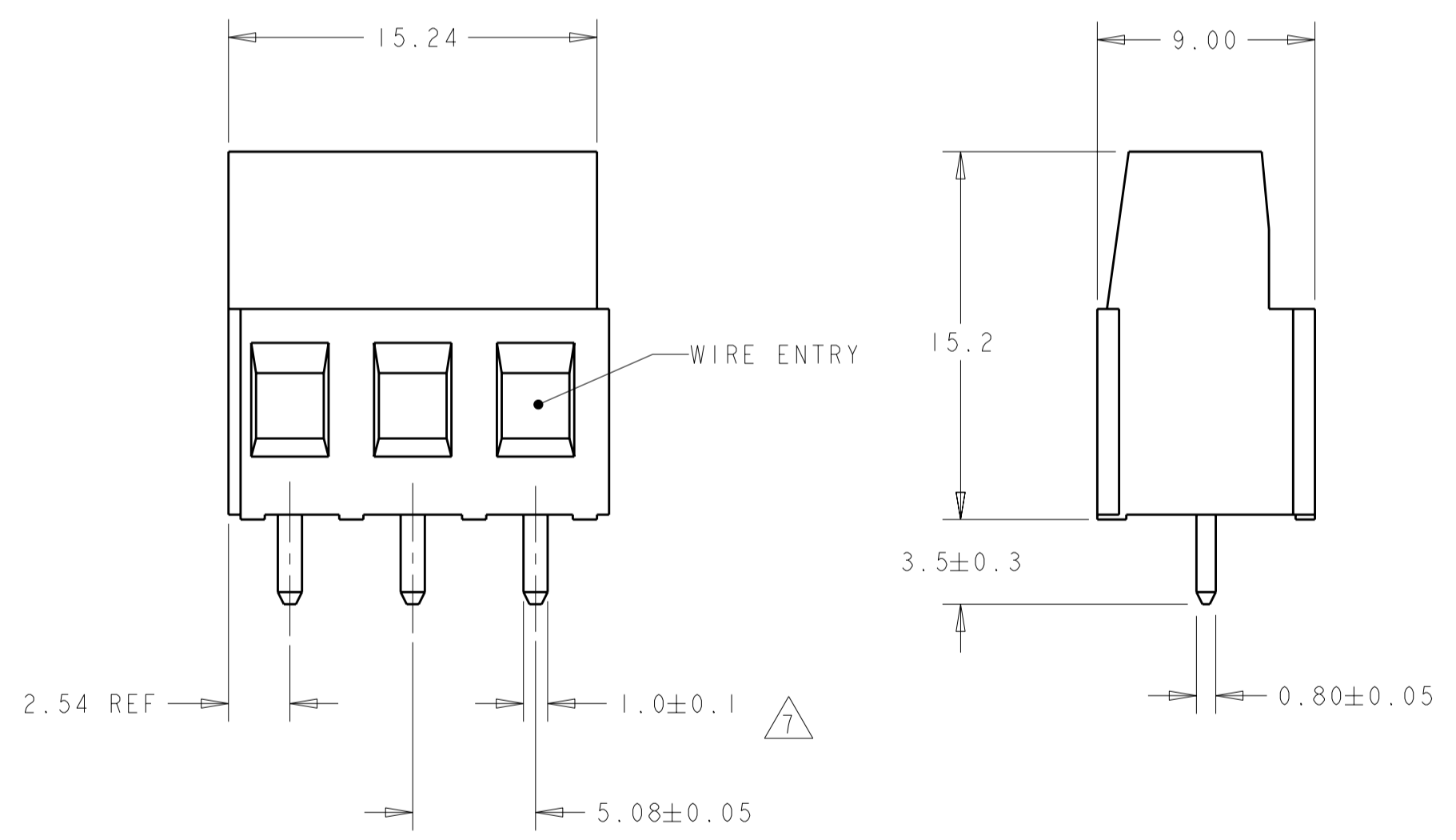
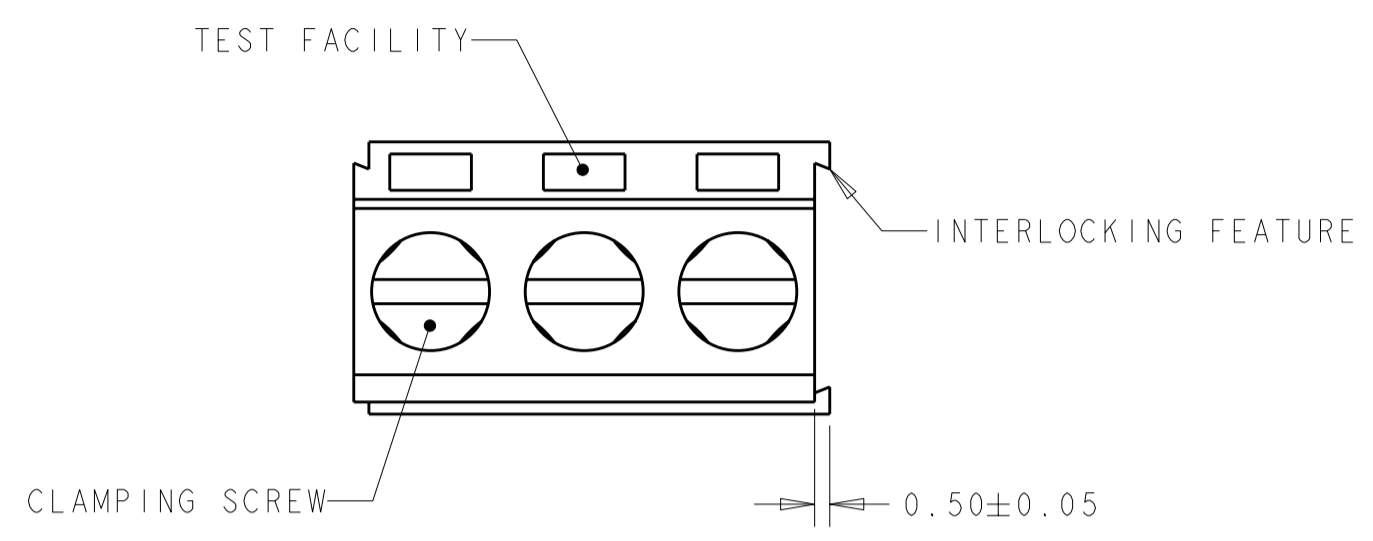


THIS DRAWING IS UNPUBLISHED. RELEASED FOR PUBLICATION 20  
 © COPYRIGHT 20 ALL RIGHTS RESERVED.

LOC	DIST	REVISIONS					
FT	0	P	LTR	DESCRIPTION	DATE	DWN	APVD
			DI	REVISED PER ECO-11-005294	06APR2011	RK	HMR

- 1. MATERIALS AND FINISH:  
 HOUSING: PA 6-6, UL 94-V0, COLOR:BLACK.  
 CLAMP: BRASS, NICKEL PLATED.  
 TERMINAL: BRASS, TIN PLATED.  
 CLAMPING SCREW: M3, BRASS, NICKEL PLATED.
- 2. SUITABLE FOR 1,6-2,4mm. PCB THICKNESS.
- 3. END-TO-END STACKABLE W/INTERLOCK WITHOUT LOSS OF CENTERLINE SPACING.
- 4. WIRE SIZE RANGE: 12 - 30 AWG
- 5. RECOGNIZED UNDER THE COMPONENT PROGRAM OF UNDERWRITERS LABORATORIES INC. FILE No E60677.
- 6. IMQ CERTIFICATE WITH SURVEILLANCE IN CONFORMITY WITH IEC 998-1/998-2-1.
- 7. NOT CUMULATIVE TOLERANCE.
- 8. WHITE INK STAMPING.
- 9. BUCHANAN LOGO TO APPEAR ON HOUSING, LOCATION OPTIONAL, WHERE SPACE PERMITS.



RECOMMENDED PC BOARD LAYOUT  
 SCALE 5:1

SEE DETAIL P	30.48	6	3-796949-1
SEE DETAIL N	10.16	2	3-796949-0
SEE DETAIL M	40.64	8	2-796949-9
SEE DETAIL L	40.64	8	2-796949-8
-	127.00	25	2-796949-5
-	121.92	24	2-796949-4
-	116.84	23	2-796949-3
-	111.76	22	2-796949-2
-	106.68	21	2-796949-1
-	101.60	20	2-796949-0
-	96.52	19	1-796949-9
-	91.44	18	1-796949-8
-	86.36	17	1-796949-7
-	81.28	16	1-796949-6
-	76.20	15	1-796949-5
-	71.12	14	1-796949-4
-	66.04	13	1-796949-3
-	60.96	12	1-796949-2
-	55.88	11	1-796949-1
-	50.80	10	1-796949-0
-	45.72	9	796949-9
-	40.64	8	796949-8
-	35.56	7	796949-7
-	30.48	6	796949-6
-	25.40	5	796949-5
-	20.32	4	796949-4
-	15.24	3	796949-3
-	10.16	2	796949-2
MARKING	A	POSN	PART NUMBER

THIS DRAWING IS A CONTROLLED DOCUMENT.

DWN S.WELDON 22AUG2001  
 CHK D.BIEVENOUR 22AUG2001  
 APVD D.BIEVENOUR 22AUG2001

**STE** TE Connectivity

NAME: TERMINAL BLOCK  
 PCB MOUNT  
 W/INTERLOCK, 5.08mm PITCH

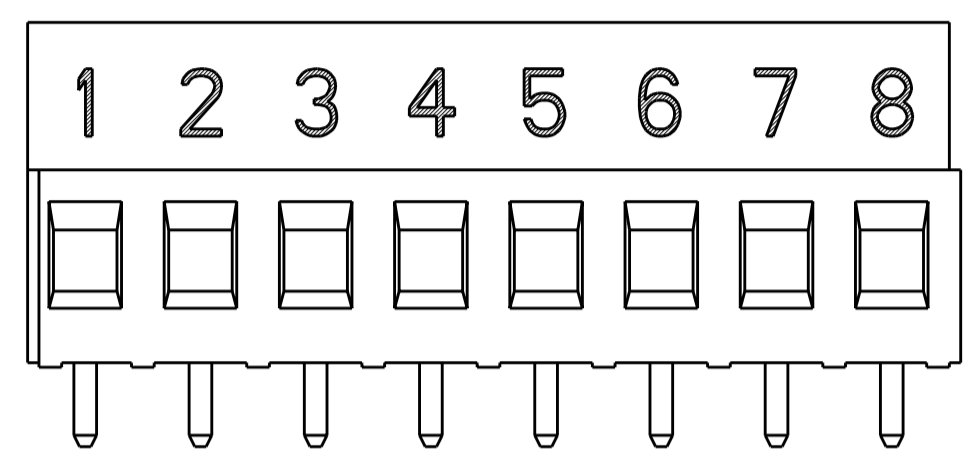
PRODUCT SPEC: -  
 APPLICATION SPEC: -  
 WEIGHT: -

SIZE: A2 CAGE CODE: 00779 DRAWING NO: 796949 RESTRICTED TO: -  
 SCALE: 4:1 SHEET 1 OF 2 REV: DI

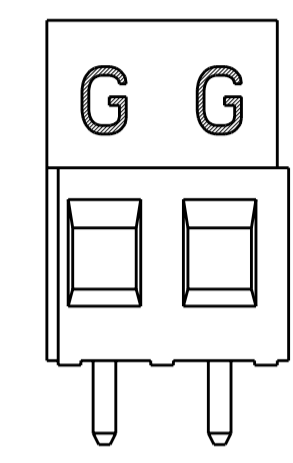
CUSTOMER DRAWING

THIS DRAWING IS UNPUBLISHED.      RELEASED FOR PUBLICATION      20  
 © COPYRIGHT 20      ALL RIGHTS RESERVED.

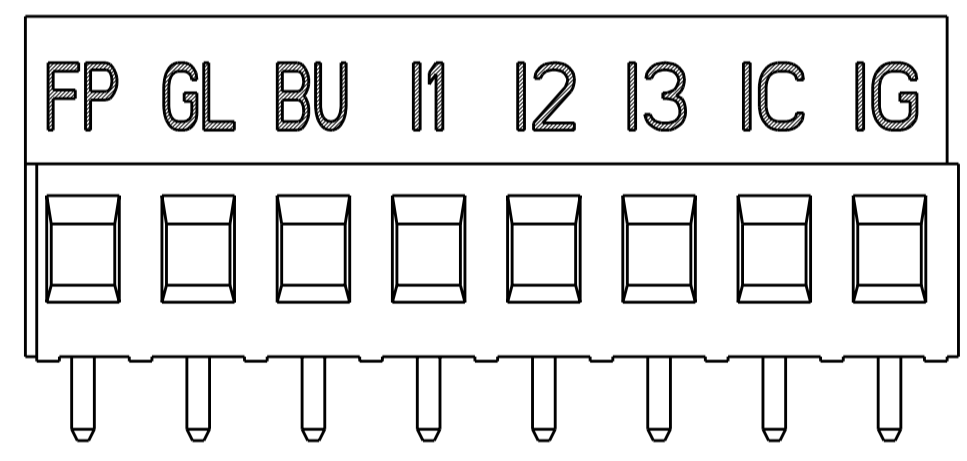
LOC	DIST	REVISIONS				
P	LTR	DESCRIPTION	DATE	DWN	APVD	
FT	0	-	SEE SHEET 1	-	-	



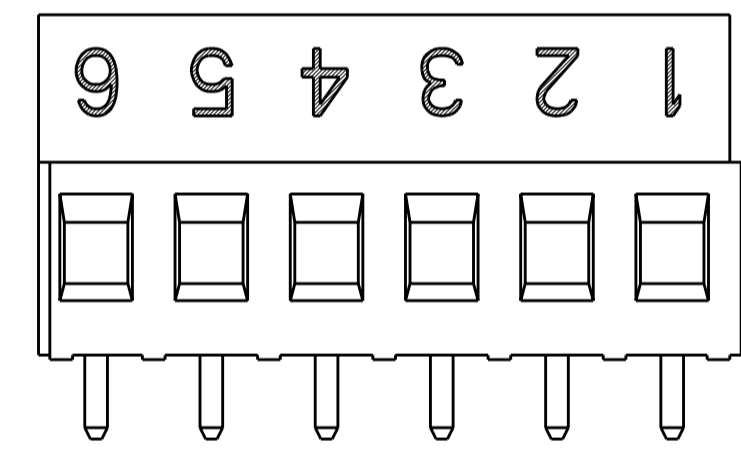
DETAIL L 



DETAIL N 



DETAIL M 



DETAIL P 

THIS DRAWING IS A CONTROLLED DOCUMENT.		DWN S. WELDON	22AUG2001	<b>STE</b> TE Connectivity
DIMENSIONS: mm		CHK D. BIEVENOUR	22AUG2001	
TOLERANCES UNLESS OTHERWISE SPECIFIED:		APVD D. BIEVENOUR	22AUG2001	
<ul style="list-style-type: none"> <li>0 PLC ±0</li> <li>1 PLC ±.3</li> <li>2 PLC ±.25</li> <li>3 PLC ±0</li> <li>4 PLC ±0</li> <li>ANGLES ±2°</li> <li>FINISH</li> </ul>		PRODUCT SPEC -	NAME TERMINAL BLOCK PCB MOUNT W/INTERLOCK, 5.08mm PITCH	
MATERIAL	-	APPLICATION SPEC -	WEIGHT -	SIZE A200779
-		CUSTOMER DRAWING	SCALE 4:1	CAGE CODE C-796949
			SHEET 2 OF 2	RESTRICTED TO -
			REV D1	

## X-ON Electronics

Largest Supplier of Electrical and Electronic Components

*Click to view similar products for [Fixed Terminal Blocks](#) category:*

*Click to view products by [TE Connectivity](#) manufacturer:*

Other Similar products are found below :

[MBE-1512](#) [MBE-154](#) [MBE-156](#) [MBES-153](#) [MBES-156](#) [MH-2512](#) [MHE-132](#) [MHE-163](#) [MI-254 \(35\)](#) [MI-272](#) [880507](#) [MPT-275](#)  
[15602-04-08-21](#) [ELM023100](#) [BA311TU](#) [BA411SU](#) [MV-152](#) [MV-252-D](#) [MV-253/NCNOC](#) [MV-254-D](#) [MV-255](#) [MV-462](#) [MV-493](#) [MVE-](#)  
[252](#) [MVE-253](#) [MVE-273](#) [MVEB-153](#) [1700096](#) [1705142](#) [1712417](#) [1713020](#) [1713088](#) [1745195](#) [1760594](#) [1776118-2](#) [1790852](#) [1-796689-8](#)  
[1-796692-6](#) [1800001](#) [1800114](#) [1995279](#) [20020314-C121B01LF](#) [20020316-G041B01LF](#) [CB2-12](#) [KP03215000J0G](#) [KP04215000J0G](#) [S451](#)  
[282802-2](#) [29.007](#) [29.116](#)