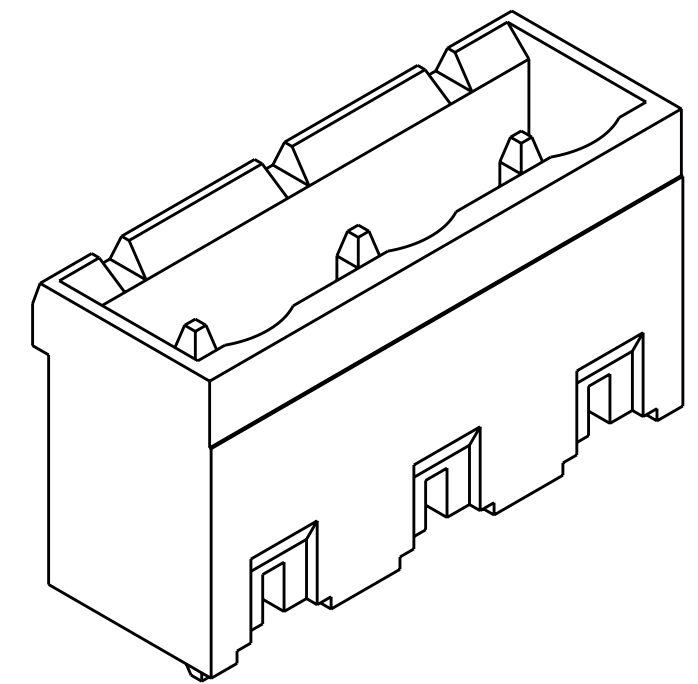
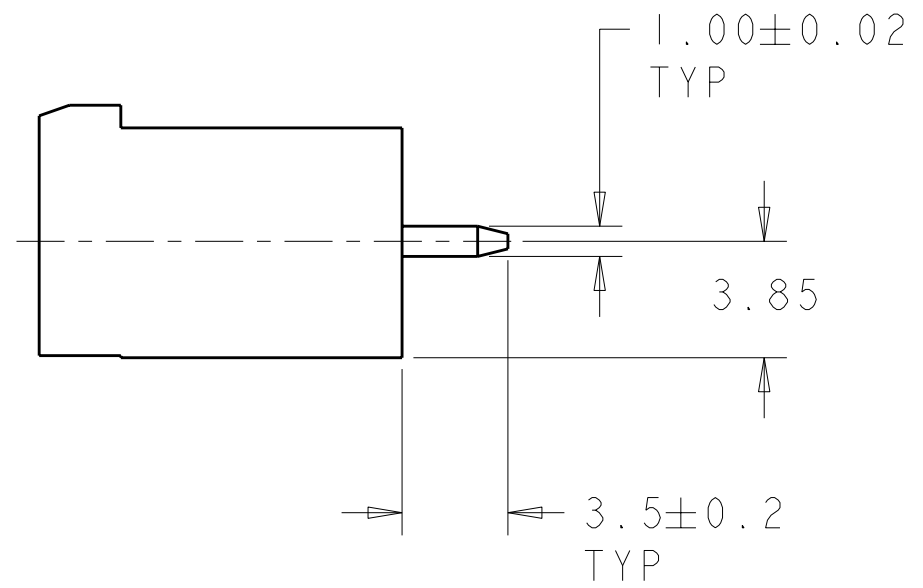
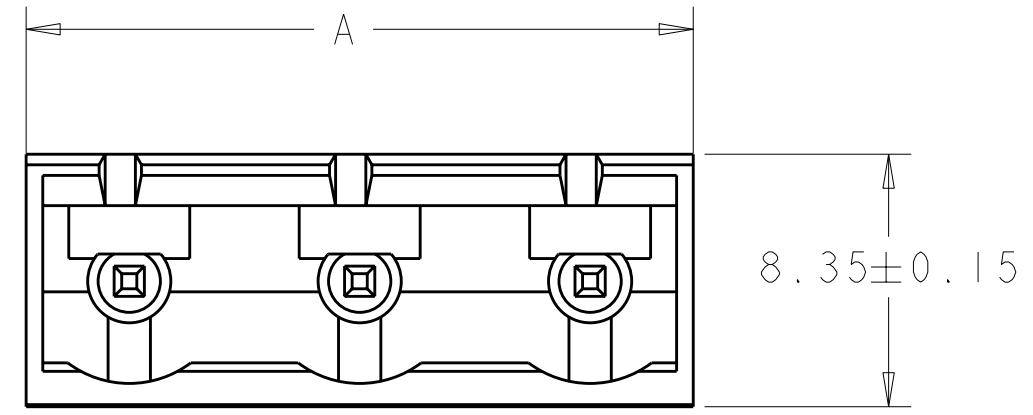
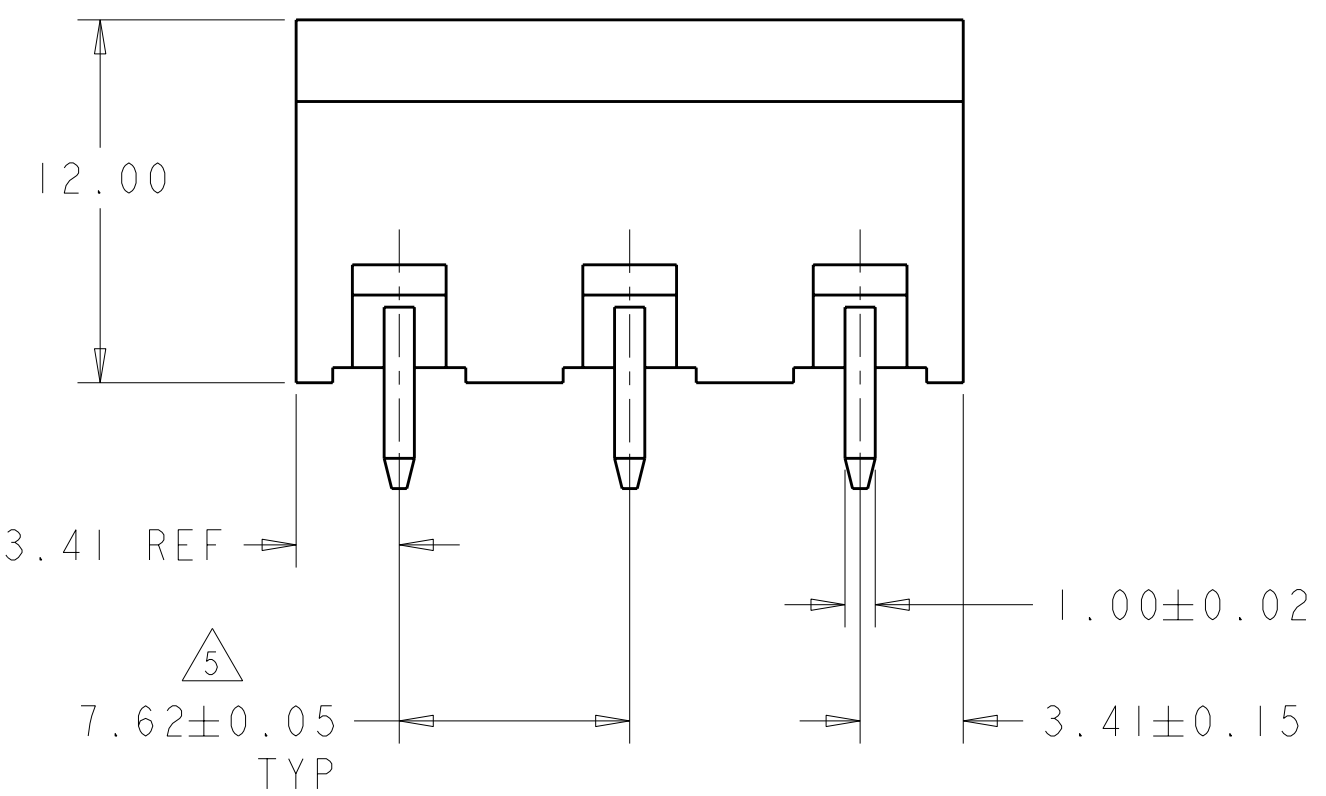


THIS DRAWING IS UNPUBLISHED. RELEASED FOR PUBLICATION 20
 © COPYRIGHT 20 Tyco Electronics AMP GmbH ALL RIGHTS RESERVED.

LOC	DIST	REVISIONS			
P	LTR	DESCRIPTION	DATE	DWN	APVD
FT	0	E1 REVISED PER ECO-12-007711	26APR2012	KH	MS

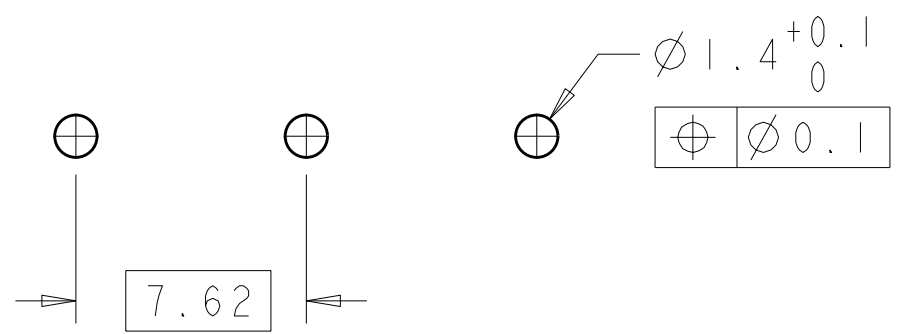


796980-3 AS SHOWN



- 1. MATERIALS AND FINISH:
 HOUSING: PA 6-6, UL 94-V0, COLOR: SEE TABLE.
 TERMINAL: COPPER ALLOY, TIN PLATED.
- 2. SUITABLE FOR 1,6-2, 4mm PC BOARD THICKNESS.
- 3. RECOGNIZED UNDER THE COMPONENT PROGRAM OF UNDERWRITERS LABORATORIES INC. FILE N° E60677.
- 4. IMQ CERTIFICATE WITH SURVEILLANCE IN CONFORMITY WITH IEC 998-1/998-2-1.)

5. NOT CUMULATIVE TOLERANCE



RECOMMENDED PC BOARD LAYOUT

MATERIAL COLOR	A	NO OF POSN	PART NUMBER
GRAY	14.44	2	2-796980-2
GREEN	90.64	12	1-796980-2
GREEN	83.02	11	1-796980-1
GREEN	75.40	10	1-796980-0
GREEN	67.78	9	796980-9
GREEN	60.16	8	796980-8
GREEN	52.54	7	796980-7
GREEN	44.92	6	796980-6
GREEN	37.30	5	796980-5
GREEN	29.68	4	796980-4
GREEN	22.06	3	796980-3
GREEN	14.44	2	796980-2

THIS DRAWING IS A CONTROLLED DOCUMENT.

DIMENSIONS: mm	TOLERANCES UNLESS OTHERWISE SPECIFIED:	DWN: 29MAR2001 E. ZANOLINI	TE Connectivity
		CHK: 29MAR2001 D. BIEVENOUR	
		APVD: 29MAR2001 D. BIEVENOUR	
		PRODUCT SPEC	
MATERIAL		APPLICATION SPEC	NAME: TERMINAL BLOCK, HEADER ASSEMBLY 180 DEGREES, CLOSED ENDS 7.62mm, PITCH
		WEIGHT	SIZE: A200779 C-796980
		CUSTOMER DRAWING	RESTRICTED TO

SCALE 4:1 SHEET 1 OF 1 REV E1

X-ON Electronics

Largest Supplier of Electrical and Electronic Components

Click to view similar products for [Pluggable Terminal Blocks](#) category:

Click to view products by [TE Connectivity](#) manufacturer:

Other Similar products are found below :

[57.510.0053](#) [MC 1.5/ 6-ST-3.5 GY AU](#) [734-104](#) [734-302](#) [8-141-P](#) [8426620000](#) [860505](#) [860516](#) [860810](#) [GBPACX-12](#) [93.731.4953.0](#) [PV05-5,08-K](#) [PVP03-3,50](#) [PVP04-3,50](#) [PVS02-5,00](#) [1-1986160-3](#) [1377680000](#) [1531000000](#) [1546228-5](#) [ELFH16150](#) [ELFP03110](#) [ELFP10210](#) [ELFT06250](#) [ELVP03100](#) [1700101](#) [1700410](#) [1700425](#) [1702246](#) [1705229](#) [1710175](#) [1714537](#) [1717806](#) [1719600](#) [1728941](#) [1734692](#) [1734795](#) [1736036](#) [1740194](#) [1740291](#) [1740628](#) [1740990](#) [1746952](#) [1750207](#) [1752441](#) [1752865](#) [1754115](#) [1754144](#) [1756913](#) [1760051](#) [1760336](#)