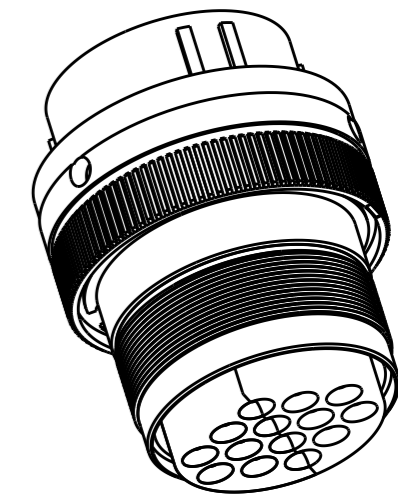
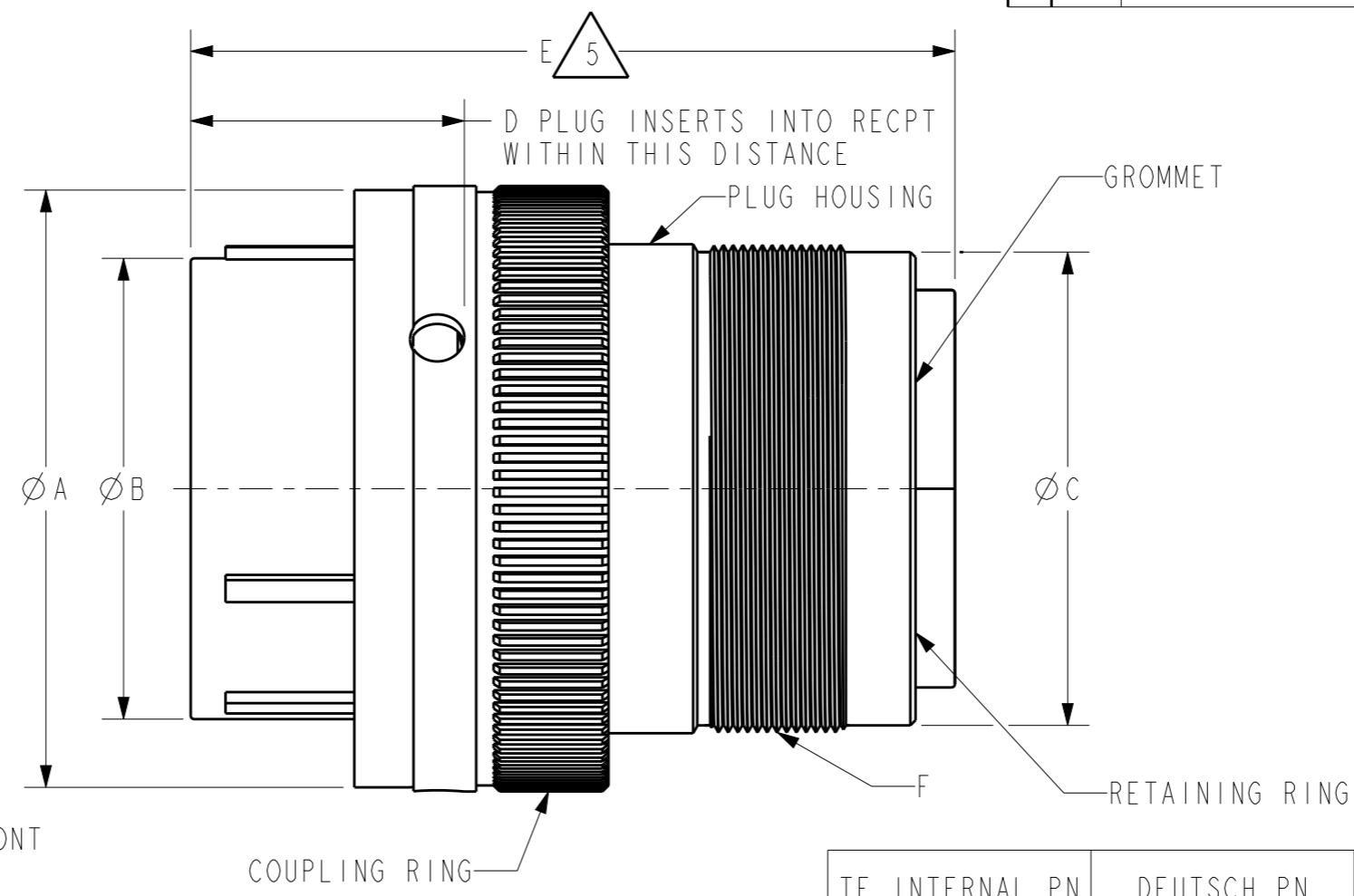
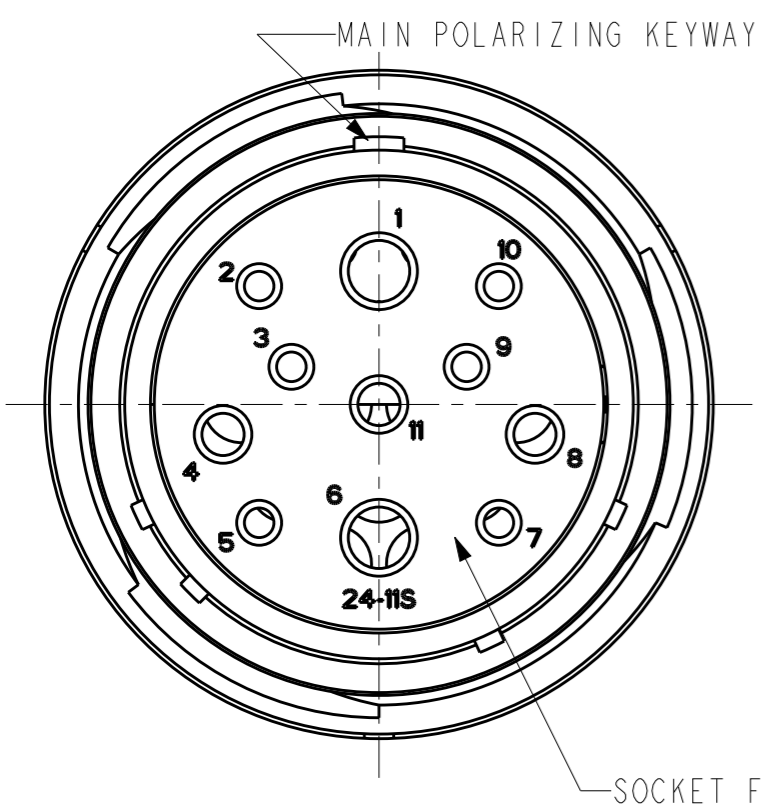


THIS DRAWING IS UNPUBLISHED
 RELEASED FOR PUBLICATION 2017
 © COPYRIGHT 2017 BY - TE CONNECTIVITY ALL RIGHTS RESERVED.

P	LTR	DESCRIPTION	DATE	DWN	APVD
	C1	REVISED PER PCN E-17-018475	08DEC2017	CM	DM
	D	REVISED PER PCN E-18-018867	04DEC2018	AJ	DM
	D1	REVISED PER PCN E-19-007592	09JAN2020	CO	IG

CONTACT SIZE	MIN. O.D.	MAX. O.D.	WIRE RANGE AWG [mm ²]
8	.190 [4.83]	.240 [6.10]	8-10 [8.0-5.0]
12	.134 [3.40]	.170 [4.32]	12-14 [3.0-2.0]
16	.100 [2.54]	.134 [3.40]	14-20 [2.0-0.5]



3D VIEW

TE INTERNAL PN	DEUTSCH PN	REV	ARRANGEMENT	CONTACT SIZE	QTY	CONTACT TYPE
7G8238-24-11S	7G8238-24-11S	J	24-11	8	2	SOC
				12	3	
				16	6	

7. SEE PAGE 2 FOR CONTINUED NOTES.

6. PART NUMBER INFO:
 XXXX = CATERPILLAR PART NO.
 24/32 = RECEPTACLE SHELL SIZE
 XX = ARRANGEMENT NO.

5. TOTAL DIMENSION WITH WIRE SEAL.

4. FOR CONTACTS AND WIRES PERFORMANCE AND APPLICATION CHARACTERISTICS SEE CUSTOMER DRAWING 4025-001-0000.

3. FOR ARRANGEMENT OF CONTACT LOCATION SEE CUSTOMER DRAWING 4025-006-0000.

2. PLUG IS SUPPLIED WITH DUST CAP PN 6V1824 (NOT SHOWN).

1. CONSULT THE FACTORY FOR ELECTRICAL AND MATERIAL SPECIFICATIONS.

NOTES:

PART NUMBER	SIZE	ØA REF [mm]	ØB [mm]	ØC [mm]	D [mm]	E REF [mm]	F THREAD
7GXXXX-24-XXS/P	24	Ø1.716 [43.59]	Ø1.325 [33.66]	Ø1.368 [34.75]	.780 [19.81]	2.195 [55.75]	1.4375-18UNEF-2A MODIFIED
7GXXXX-32-XXS/P	32	Ø2.380 [60.45]	Ø1.915 [48.64]	Ø1.925 [48.90]	.780 [19.81]	2.195 [55.75]	2.000-18UNS-2A MODIFIED

THIS DRAWING IS A CONTROLLED DOCUMENT.		DWN 21MAR2008 I. GRANTCHAROVA		TE Connectivity	
DIMENSIONS: in [mm]		CHK 14JUL2010 R. MILLIGAN			
TOLERANCES UNLESS OTHERWISE SPECIFIED:		APVD 14JUL2010 S. BEARD		NAME PLUG CONNECTOR SHELL SIZE 24 AND 32 C.E. SERIES	
0 PLC ±		PRODUCT SPEC		SIZE	
1 PLC ±		APPLICATION SPEC		CAGE CODE	
2 PLC ±		WEIGHT 78 gr		DRAWING NO	
3 PLC ±.025 [.63]		CUSTOMER DRAWING		RESTRICTED TO	
4 PLC ±		SCALE 1:1		SHEET 1 OF 2	
ANGLES ±		REV D1			
FINISH					

THIS DRAWING IS UNPUBLISHED RELEASED FOR PUBLICATION 2017

© COPYRIGHT 2017 BY - TE CONNECTIVITY ALL RIGHTS RESERVED.

REVISIONS

P	LTR	DESCRIPTION	DATE	DWN	APVD
	-	SEE SHEET 1	-	-	-

10. ENDBELL MOUNTING TORQUE:
 - SIZE 24
 124 ± 17.7 in-lbf [14 ± 2 Nm]

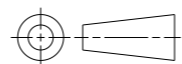
9. PLATING: CLEAR TRIVALENT CHROMATE CONVERSION COATING (ROHS COMPLIANT)

8. MATERIAL:
 PLUG HOUSING: AL 6000 SERIES
 COUPLING RING: AL 6000 SERIES
 RETAINING RING: PA66 GF10 (GREEN)
 PIN FRONT: PA66 GF10 (BLACK)
 GROMMET: VMQ (RED-ORANGE)

NOTES: (CONTINUED)

THIS DRAWING IS A CONTROLLED DOCUMENT.

DIMENSIONS:
in [mm]



TOLERANCES UNLESS OTHERWISE SPECIFIED:

0 PLC	±
1 PLC	±
2 PLC	±
3 PLC	±.025 [.63]
4 PLC	±
ANGLES	±0° 30' 0"

MATERIAL



FINISH



DWN 21MAR2008
I. GRANTCHAROVA
 CHK 14JUL2010
R. MILLIGAN
 APVD 14JUL2010
S. BEARD

PRODUCT SPEC -
 APPLICATION SPEC -
 WEIGHT 78 gr

CUSTOMER DRAWING



NAME
PLUG CONNECTOR SHELL SIZE 24 AND 32
C.E. SERIES

SIZE	CAGE CODE	DRAWING NO	RESTRICTED TO
A3	4AFU8	7GXXXX-24/32-XXS/P	

SCALE	SHEET	OF	REV
1:1	2	2	D1

X-ON Electronics

Largest Supplier of Electrical and Electronic Components

Click to view similar products for [Automotive Connectors](#) category:

Click to view products by [TE Connectivity](#) manufacturer:

Other Similar products are found below :

[003-018-000](#) [60403001](#) [60993906-B](#) [M902-2131](#) [M902-2161](#) [M902-2344](#) [72.330.1035.1](#) [73.353.4028.0](#) [F119300-B](#) [F166900](#) [F258300-B](#)
[F358300-B](#) [F407400](#) [F444110](#) [F487000](#) [F509500B-B](#) [827153-1](#) [8N1515-32-24P](#) [9-1326729-8](#) [925474-1](#) [928905-1](#) [964562-4](#) [968782-1](#)
[GT17SA-8DS-HU](#) [98891-1012](#) [98947-1016](#) [12004147](#) [12004475-L](#) [12010290](#) [12010309-B](#) [12015454](#) [12020219-B](#) [12041318-B](#) [12052225-](#)
[L](#) [12052466](#) [12064869](#) [12004327-B](#) [12015308](#) [12015384](#) [12015909](#) [1-21030-1](#) [12041254](#) [12041318](#) [12047946-B](#) [12047957](#) [12047957-L](#)
[12059473](#) [12066261](#) [12110546](#) [12110546-B](#)