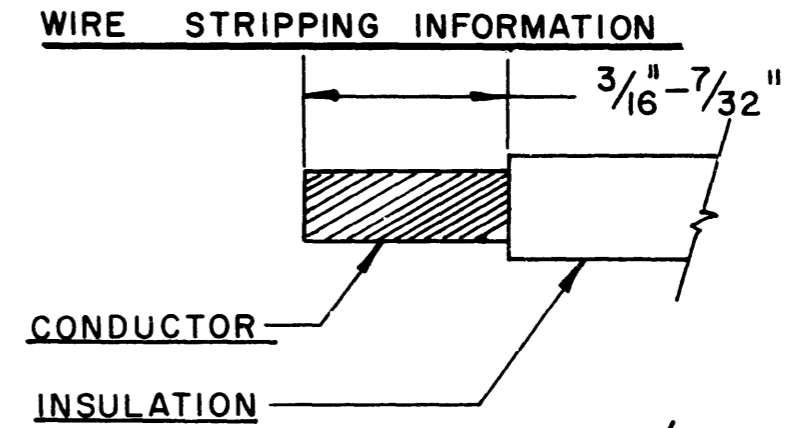
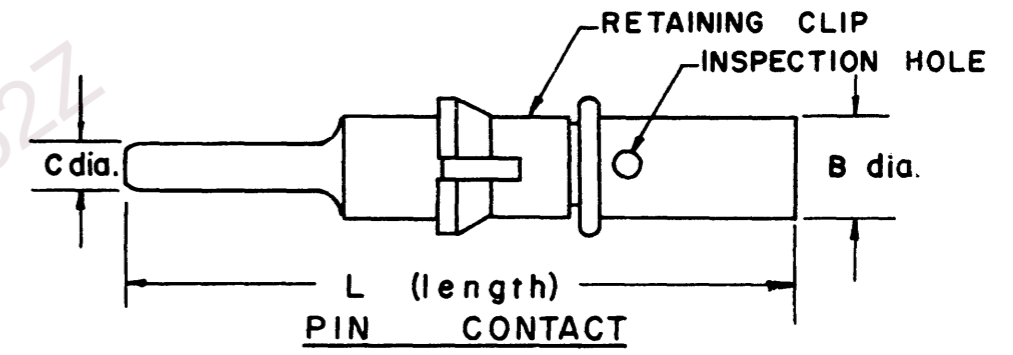
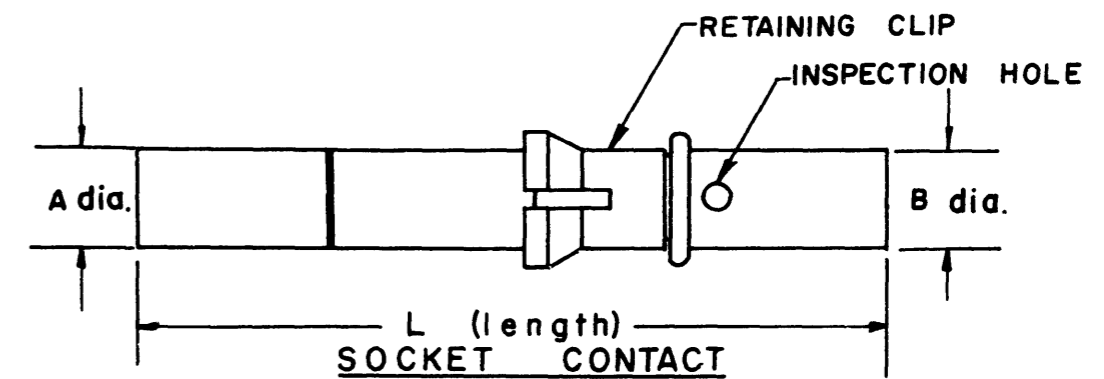


SIZE	WIRE ACCEPTANCE	TYPE	PART NUMBERS		CRIMP TOOL	INSERTION TOOL	REMOVAL TOOL	DIMENSIONS:				REVISIONS			
			CONTACT .000050" (min) GOLD PLATED	CONTACT .000100" (min) GOLD PLATED				±.015 A dia	±.015 B dia	±.002 C dia	±.015 L length	SYM	DESCRIPTION	DATE	APPROVAL
			A 4725-7-0000									A	NEW RELEASE EO 32190	1-27-66	Row v.H.
20	16-18	PIN	0005-005-000	0005-007-000	15500-16-2	MI5513-16	MI5515-20	—	.109	.040	.688				
		SOCKET	0007-007-000	0007-009-000				.092	.109	—	.766				
20	18-24	PIN	800-20/32-1	800-20/32-2	15500-20	MI5513-20	MI5515-20	—	.078	.040	.688				
	*	SOCKET	800-20/30-1	800-20/30-2				.092	.078	—	.766				
20	26-30	PIN	800-20/32-3	800-20/32-8	15500-20-3	MI5513-20	MI5515-20	—	.057	.040	.688				
		SOCKET	800-20/30-3	800-20/30-8				.092	.057	—	.766				
16	12-14	PIN	0005-008-000	0005-008-001	15500-12-1	N. A.	MI5515-16	—	.141	.062	.688				
		SOCKET	0007-014-000	0007-014-001				.114	.141	—	.766				
16	16-18	PIN	800-16/32-1	800-16/32-2	15500-16	MI5513-16	MI5515-16	—	.109	.062	.688				
	*	SOCKET	200-16/30-3	200-16/30-2				.114	.109	—	.766				
16	18-24	PIN	800-16/32-4	800-16/32-3	15500-20-6	MI5513-20	MI5515-16	—	.078	.062	.688				
		SOCKET	200-16/30-5	200-16/30-4				.114	.078	—	.766				
12	10-12	PIN	N. A.	0005-052-000	SOLDER	N. A.	MI5515-12	—	.188	.094	.688				
		SOCKET	N. A.	0007-065-000				.186	.188	—	.766				
12	12-14	PIN	800-12/32-1	800-12/32-2	15500-12	MI5513-12	MI5515-12	—	.156	.094	.688				
	*	SOCKET	200-12/30-3	200-12/30-2				.186	.156	—	.766				
12	14-18	PIN	800-12/32-7	800-12/32-8	15500-16-1	MI5513-16	MI5515-12	—	.109	.094	.688				
		SOCKET	200-12/30-7	200-12/30-8				.186	.109	—	.766				
12	18-24	PIN	800-12/32-3	800-12/32-4	15500-20-5	MI5513-20	MI5515-12	—	.078	.094	.688				
		SOCKET	200-12/30-4	200-12/30-5				.186	.078	—	.766				



NOTES:

1. CONSULT THE FACTORY FOR AVAILABILITY OF CONTACT ARRANGEMENTS.

* THESE CONTACTS ARE FURNISHED WITH THE APPLICABLE STANDARD CONNECTOR (SUCH AS: DS, MDS, MDR, DA, DSK, PDS). WHEN CONTACTS OTHER THAN STANDARD ARE DESIRED, THE CONNECTOR SHOULD BE ORDERED WITHOUT CONTACTS (Ref. DEUTSCH MODIFICATION-090). THE REQUIRED CONTACTS MAY THEN BE ORDERED SEPARATELY UNDER ANY OF THE PART NUMBERS LISTED ABOVE.

A. STRIP INSULATION BACK EXPOSING 3/16 TO 7/32 IN. OF WIRE. DO NOT SEVER ANY STRANDS OF THE CONDUCTOR.
 B. A HOT ELECTRIC WIRE STRIPPER IS RECOMMENDED FOR ALL WIRES EXCEPT THOSE WITH FIBROUS INSULATION MATERIALS, SUCH AS GLASS, COTTON AND ASBESTOS.

TOLERANCES UNLESS OTHERWISE SPECIFIED DECIMALS: .XXX ± .005 ANGLES: - 0° 30' 0"	SIGNATURE & DATE		DS CONTACT INFORMATION DRAWING (SIZES 20, 16, 12) ENVELOPE	NEXT ASSY	USED ON
	MATERIAL COPPER ALLOY PER. MIL-C-26482	DR <i>Max Kelly Dodge</i> 1-27-66		CHK <i>Row v.H.</i> 2-4-66	The Deutch Company ELECTRONIC COMPONENTS DIVISION Municipal Airport Banning, California
FINISH AS ILLUSTRATED IN PART NO. COLUMN.	PE <i>Row v.H.</i> 1-27-66	APPD <i>Wade</i>	B	4725-7-0000	
	SCALE	WT	DWG SIZE	CODE 11139	SHEET 1 OF 1

X-ON Electronics

Largest Supplier of Electrical and Electronic Components

Click to view similar products for [Automotive Connectors](#) category:

Click to view products by [TE Connectivity](#) manufacturer:

Other Similar products are found below :

[003-018-000](#) [60993906-B](#) [72.330.1035.1](#) [73.353.4028.0](#) [F358300-B](#) [F407400](#) [776880-1](#) [827153-1](#) [8N1515-32-24P](#) [9-1326729-8](#) [925474-1](#)
[928905-1](#) [964562-4](#) [968782-1](#) [98891-1012](#) [12004475-L](#) [12041318-B](#) [12052466](#) [12015909](#) [1-21030-1](#) [12041318](#) [12047957](#) [12185550](#)
[12336-12](#) [12147304](#) [13681974](#) [13755420](#) [13783086](#) [13832576](#) [13542772](#) [1393425-2](#) [13964573](#) [1428188-1](#) [1437287-3](#) [1438231-5](#)
[1428188-2](#) [DS00-7P-090](#) [DS07-19S-5020](#) [1456983-5](#) [1456987-7](#) [APD-7CP-H](#) [APK-SB25A10L](#) [1452931-2](#) [15317331](#) [15435215](#) [15491972](#)
[15305306](#) [15369261](#) [15396680](#) [15470590](#)