

LOC AD	DIST 00	REVISIONS					
		P	LTR	DESCRIPTION	DATE	DWN	APVD
		A1		REVISED PER ECO-11-004587	21MAR11	RK	HMR

# 8058 & 8060 Series Transistor Sockets



8060-1G11



8060-1G6

**FEATURES:**

The 8058/8060 family of teflon sockets, with beryllium copper contacts, offers many features which allow them to be utilized in the most severe applications. Low profile for close board spacing, closed sleeve for 100% prevention of solder and flux wicking. A choice of many terminal styles for greater packaging selection and ease of use. Many of these sockets meet or exceed MIL-S-83502/2 and MIL-S-83502/5.



- Two-piece socket terminal - four fingered inner contact and machined outer sleeve
- Low profile for tight space applications
- Sockets accept 0,41/.016 to 0,51/.020 diameter leads
- Printed circuit, solder pocket and turret style terminations available
- Closed entry-design no distortion or damage to contact with misaligned or oversized leads

**MATERIAL SPECIFICATIONS:**

Insulator ..... Teflon  
 Sleeve ..... Brass  
 Contact Plating ..... Beryllium copper  
 Plating ..... Contact gold, sleeve gold

**PERFORMANCE SPECIFICATIONS:**

**MECHANICAL**

Vibration ..... Passed MIL-STD -1344, Method 2005, 15 G's, 10 to 2,000 cycles  
 Mechanical Shock ..... Passed MIL-STD -1344, Method 2004, 10 G's, 1 to 9,000 cycles  
 Durability ..... 50 Insertions and withdrawals, MIL-S-83502/ 1, Sec. 4.7.12  
 Insertion Force ..... 4.0 lb. max., .020 dia. +.0000 probe  
 Withdrawal Force ..... 14 Grams (1/2 oz.) min. .016 dia. +.0002 probe  
 Solderability ..... MIL-STD- 202, Method 208

**ELECTRICAL**

Bulk Contact Resistance ..... 20 Milliohms max. per MIL-S-83502/1  
 Current Rating ..... 3 Amp DC, contact rating  
 Operating Voltage ..... 500 VDC @ atmospheric pressure  
 Dielectric Withstanding Voltage ..... 600 VAC per MIL-STD -1344 , Method 3001  
 Insulation Resistance .... 2 x 10<sup>6</sup> Megohms, MIL-STD -1344, Method 3003  
 Capacitance ..... 2 pF Max., MIL-STD -202, Method 305

**ENVIRONMENTAL**

Operating Temperature .. -55°C to +125°C  
 Corrosive Atmosphere .. 30 milliohms, ammonium polysulfide 10 ppm per MIL-S-83502/1 Sec. 4.7.17  
 Moisture Resistance ..... 30 Milliohms max., MIL-STD -202, Method 106  
 Thermal Shock ..... MIL-STD -1344, Method 1003

**Thomas & Betts**

Quality & Innovation From **AUGAT**® Name Brand Products

H14


Thomas & Betts  
 1555 Lynnfield Road  
 Memphis, TN 38119  
 (901) 682-8221 FAX (901) 537-8805

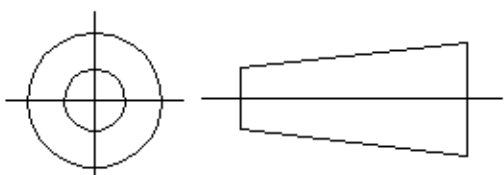
RELEASED FOR PUBLICATION

ALL RIGHTS RESERVED.

THIS DRAWING IS UNPUBLISHED.

© COPYRIGHT

DIMENSIONS: INCHES	DWN	R BROWN	28NOV2006	MATERIAL	-			FINISH	-	
	CHK	K DeBOCK	28NOV2006	 TE Connectivity						
TOLERANCES UNLESS OTHERWISE SPECIFIED:	APVD	K DeBOCK	28NOV2006							
0 PLC ± -	PRODUCT SPEC			NAME						
1 PLC ± -	-			SOCKET, 8 PIN PRINTED CIRCUIT						
2 PLC ± -	APPLICATION SPEC			SIZE	CAGE CODE	DRAWING NO	RESTRICTED TO			
3 PLC ± -	-			A4	00779	© 1437508-5	-			
4 PLC ± -	WEIGHT			CUSTOMER DRAWING			SCALE	SHEET	REV	A1
ANGLES ± -	-			-			NTS	1 OF 4	-	



LOC AD	DIST 00	REVISIONS				
P	LTR	DESCRIPTION	DATE	DWN	APVD	
	—	SEE SHEET 1	—	—	—	

### Transistor Sockets 8058 & 8060 Series

#### PART NUMBER / STANDARD CONFIGURATIONS

Part Number	Figure	No. of Contacts	Pin Circle	A	B	C	D*	E*	F Max.	Terminal Style	Mounting Hole	Transistor Lead Length	Polarization Figure
M8058-45G1	1	3	.200	.200	.265	.373	.410	.160	.406	Turret			
M8058-1G29	3	3	.200	.200	.270	.373	.410	.140	.351	Solder Pocket	B	.156/.218	N
8058-1G23	3	3	.200	.200	.270	.373	.410	.140	.351	Solder Pocket	B	.156/.218	N
8058-1G23	4	3	.200	.200	.270	.373	.410	.302	.544	Solder Pocket	B	.156/.218	N
M8058-1G23	4	3	.200	.200	.270	.373	.410	.302	N/A	Printed Circuit		.125/.155	P
8058-1G59	6	3	.200	.200	.165	N/A	.410	.125	N/A	Printed Circuit		.125/.155	P
8058-38G6	6	3	.200	.200	.165	N/A	.410	.125	N/A	Printed Circuit		.125/.155	P
8058-1G62	7	3	.200	.200	.270	.373	.410	.500	.703	Wirewrap		.156/.218	N
M8058-45G2	1	4	.200	.200	.265	.373	.410	.140	.406	Turret	B	.156/.218	N
M8058-1G30	3	4	.200	.200	.265	.373	.410	.140	.377	Solder Pocket	B	.156/.218	N
8058-1G30	3	4	.200	.200	.270	.373	.410	.140	.347	Solder Pocket	B	.156/.218	N
M8058-1G24	4	4	.200	.200	.270	.373	.410	.347	.550	Printed Circuit		.125/.155	N
8058-1G24	4	4	.200	.200	.270	.373	.410	.317	.550	Printed Circuit		.125/.155	N
8058-1G63	7	4	.200	.200	.270	.373	.410	.500	.703	Wirewrap		.125/.155	N
8058-1G58	2	5	.200	.200	.270	.373	.410	.094	.331	Turret	B	.156/.218	N
8058-1G61	3	5	.200	.200	.270	.373	.410	.140	.336	Solder Pocket	B	.156/.218	N
M8058-1G39	2	6 at 45°	.200	.200	.270	.373	.410	.094	.300	Turret	B	.156/.218	N
8058-1G43	3	6 at 60°	.200	.200	.270	.373	.410	.140	.370	Solder Pocket	B	.156/.218	N
M8058-1G18	3	6 at 45°	.200	.200	.270	.373	.410	.140	.370	Solder Pocket	B	.156/.218	N
8058-1G42	4	6 at 60°	.200	.200	.270	.373	.410	.317	.561	Printed Circuit		.125/.155	P
M8058-1G33	4	6 at 45°	.200	.200	.270	.373	.410	.317	.561	Printed Circuit		.125/.155	P
8058-1G48	6	6 at 60°	.200	.200	.165	N/A	.410	.125	N/A	Printed Circuit		.125/.155	P
8058-1G52	6	6 at 45°	.200	.200	.165	N/A	.410	.125	N/A	Printed Circuit		.125/.155	P
M8058-1G37	2	8	.200	.200	.270	.373	.410	.094	.336	Turret	B	.156/.218	N
M8058-1G19	3	8	.200	.200	.270	.373	.410	.140	.377	Solder Pocket	B	.156/.218	N
8058-1G19	3	8	.200	.200	.270	.373	.410	.140	.377	Solder Pocket	B	.156/.218	N
8058-1G57	3	8	.200	.200	.270	.373	.410	.140	.315	Solder Pocket	B	.156/.218	N
M8058-1G32	4	8	.200	.200	.270	.373	.410	.317	.550	Printed Circuit		.125/.155	P
8058-1G32	4	8	.200	.200	.270	.373	.410	.317	.550	Printed Circuit		.125/.155	P
8058-39G1	5	8	.200	.330	.375	.373	.410	.187	.505	Printed Circuit		.156/.218	N
8058-39G3	5	8	.200	.380	.375	.373	.410	.150	.470	Printed Circuit		.156/.218	N
8058-39G5	5	8	.200	.380	.375	.373	.410	.150	.470	Printed Circuit		.156/.218	N
8058-1G49	6	8	.200	.200	.165	N/A	.410	.125	N/A	Printed Circuit		.125/.155	P
8058-1G47	2	8	.230	.230	.270	.373	.410	.094	.300	Turret	B	.156/.218	N
8058-1G46	3	8	.230	.230	.270	.373	.410	.138	.346	Solder Pocket	B	.156/.218	N
8058-1G45	4	8	.230	.230	.270	.373	.410	.302	.534	Solder Pocket	B	.156/.218	N
8058-39G4	5	8	.230	.380	.375	.373	.410	.155	.467	Printed Circuit		.156/.218	N
8058-39G6	5	8	.230	.380	.375	.373	.410	.150	.467	Printed Circuit		.156/.218	N
8058-1G50	6	8	.230	.230	.165	N/A	.410	.125	N/A	Printed Circuit		.125/.165	P
M8058-1G38	2	10	.230	.230	.270	.373	.410	.094	.331	Turret	B	.156/.218	N
M8058-1G22	3	10	.230	.230	.270	.373	.410	.141	.377	Solder Pocket	B	.156/.218	N
M8058-1G31	4	10	.230	.230	.270	.373	.410	.317	.561	Solder Pocket	B	.156/.218	N
8058-1G31	4	10	.230	.230	.270	.373	.410	.317	.561	Solder Pocket	B	.156/.218	N
8058-24G1	5	10	.230	.380	.375	.373	.410	.187	.505	Printed Circuit		.125/.155	P
8058-1G34	6	10	.230	.230	.165	N/A	.410	.125	N/A	Printed Circuit		.125/.155	P
M8058-1G91	6	10	.230	.230	.165	N/A	.410	.125	N/A	Printed Circuit		.156/.218	N
8058-1G55	5	12	.250	.380	.375	.373	.410	.155	.467	Printed Circuit		.125/.155	P
8058-1G51	6	12	.280	.280	.165	N/A	.410	.125	N/A	Printed Circuit		.156/.218	N
8058-1G51	6	12	.280	.280	.165	N/A	.410	.125	N/A	Printed Circuit		.125/.155	P

\* Dimension E ± .031 (0,79)

↑  
.155 should be  
.165

Need more technical information?  
Consult your Thomas & Betts sales office listed on the back cover


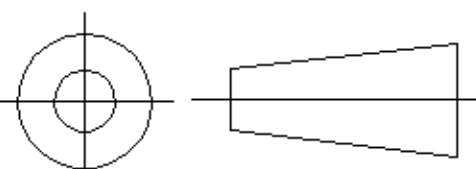
H15

Thomas & Betts  
1555 Lynnfield Road  
Memphis, TN 38119  
(901) 682-8221 FAX (901) 537-8805

THIS DRAWING IS UNPUBLISHED.

ALL RIGHTS RESERVED.

© COPYRIGHT

DIMENSIONS: INCHES	DWN R BROWN 28NOV2006	MATERIAL	FINISH	
TOLERANCES UNLESS OTHERWISE SPECIFIED:	CHK K DeBOCK 28NOV2006	 TE Connectivity	SOCKET, 8 PIN PRINTED CIRCUIT	
0 PLC ± -	APVD K DeBOCK 28NOV2006			NAME
1 PLC ± -	PRODUCT SPEC			SIZE
2 PLC ± -	APPLICATION SPEC			CAGE CODE
3 PLC ± -		DRAWING NO	RESTRICTED TO	
4 PLC ± -				
ANGLES ± -	WEIGHT	A4 00779	© 1437508-5	
	CUSTOMER DRAWING	SCALE	SHEET	
		NTS	2 OF 4	
			REV A1	

LOC	DIST	REVISIONS					
AD	00	P	LTR	DESCRIPTION	DATE	DWN	APVD
		—		SEE SHEET 1	—	—	—

# 8058 & 8060 Series Transistor Sockets

## PART NUMBER / STANDARD CONFIGURATIONS

*Not met length*

Part Number	Figure	Number of Contacts	Pin Circle	A	B	C	D	E*	F Max.	Terminal Style	Mtg. Hole Figure	Transistor Lead Length	Polarization Figure
8060-1G5	3	3	.100	.100	.268	.227	.255	.146	.350	Solder Pocket	A	.156/.218	N
8060-1G17	3	3	.100	.100	.320	.227	.255	.084	.427				
8060-1G9	2	3	.100	.100	.268	.227	.255	.094	.372	Turret			
8060-1G11	4	3	.100	.100	.330	.227	.255	.240	.580	Printed Circuit			
8060-1G7	5	3	.100	.200	.410	.227	.255	.170	.616				
8060-1G3	6	3	.100	.150	.195	N/A	.255	.103	N/A		.125/.155	P	
8060-1G13	6	3	.100	.100	.195	N/A	.255	.103	N/A	Solder Pocket	A	.156/.218	N
8060-1G6	3	4	.100	.100	.265	.227	.255	.146	.350				
8060-1G10	2	4	.100	.100	.265	.227	.255	.094	.310	Turret			
8060-1G12	4	4	.100	.100	.330	.227	.255	.240	.553	Printed Circuit			
8060-1G8	5	4	.100	.200	.390	.227	.255	.187	.530				
8060-1G4	6	4	.100	.150	.195	N/A	.255	.103	N/A		.125/.155	P	
8060-1G22	6	4	.100	.100	.195	N/A	.255	.295	N/A				

\* Dimension E ± .031 (0,79)

All part number prefixed with (M) meet MIL-83502/1 or MIL-83502/6.



**Thomas & Betts**

Quality & Innovation From **AUGAT**® Name Brand Products

H16

Thomas & Betts  
1555 Lynnfield Road  
Memphis, TN 38119  
(901) 682-8221 FAX (901) 537-8805

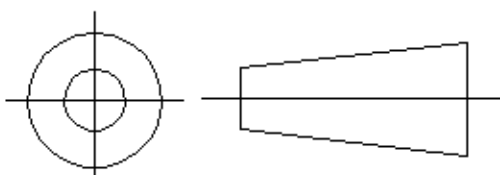
RELEASED FOR PUBLICATION

ALL RIGHTS RESERVED.

THIS DRAWING IS UNPUBLISHED.

© COPYRIGHT

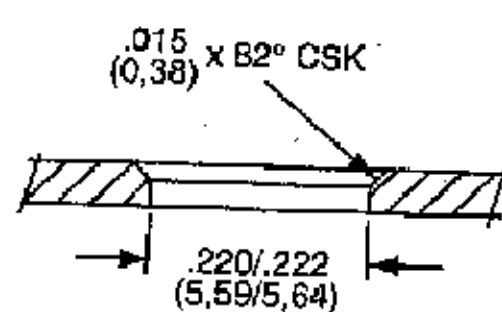
DIMENSIONS: INCHES	DWN	R BROWN	28NOV2006	MATERIAL	—	FINISH	—
	CHK	K DeBOCK	28NOV2006				
TOLERANCES UNLESS OTHERWISE SPECIFIED:	APVD	K DeBOCK	28NOV2006				
	0 PLC	± —	PRODUCT SPEC	NAME	SOCKET, 8 PIN PRINTED CIRCUIT		
1 PLC	± —	APPLICATION SPEC	SIZE	CAGE CODE	DRAWING NO	RESTRICTED TO	—
2 PLC	± —	WEIGHT	A4	00779	© 1437508-5	SCALE	NTS
3 PLC	± —	CUSTOMER DRAWING	SHEET		3 of 4	REV	A1
4 PLC	± —						
ANGLES	± —						



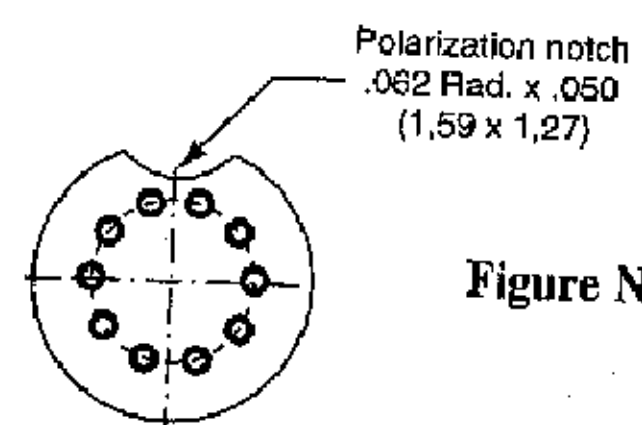
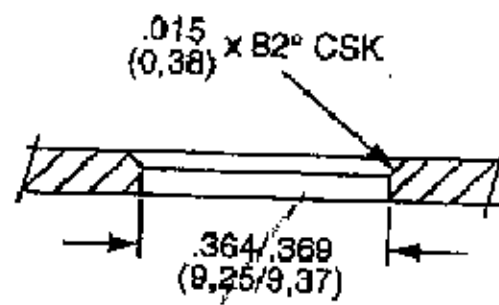
LOC AD	DIST 00	REVISIONS					
		P	LTR	DESCRIPTION	DATE	DWN	APVD
			—	SEE SHEET 1	—	—	—

# Transistor Sockets 8058 & 8060 Series

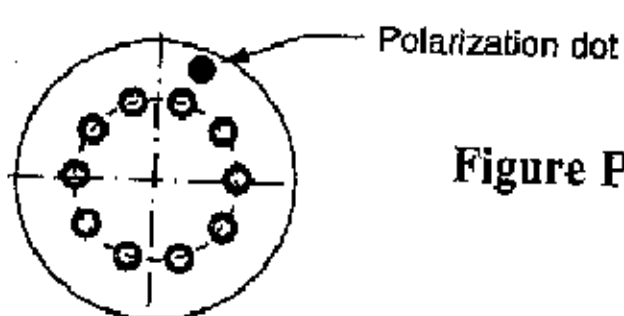
**Figure A**  
Recommended Chassis Cutout  
for all 8060 Series panel  
mount applications



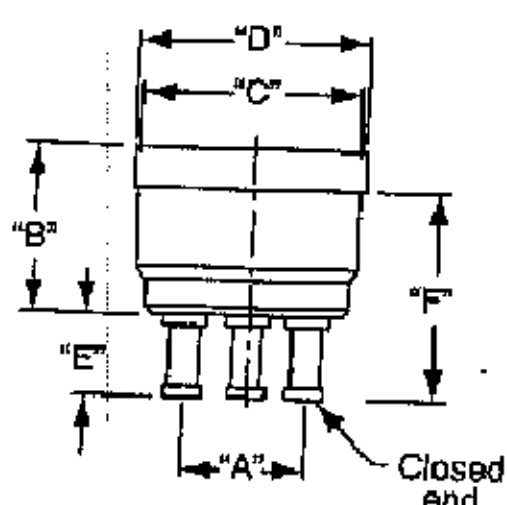
**Figure B**  
Recommended Chassis Cutout  
for all 8058 Series panel  
mount applications



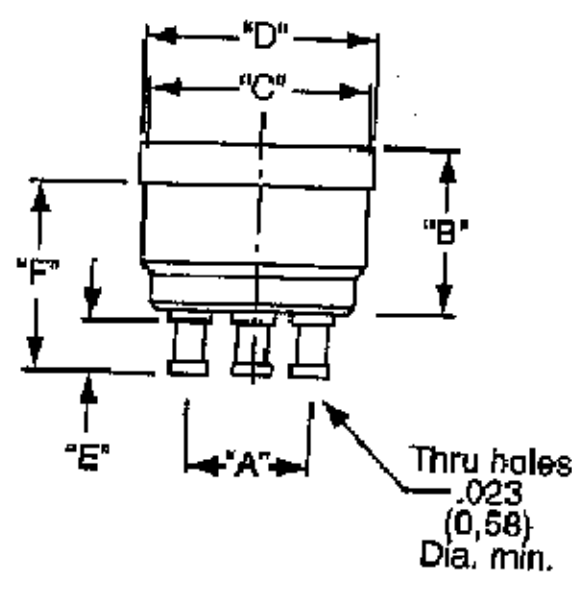
**Figure N**



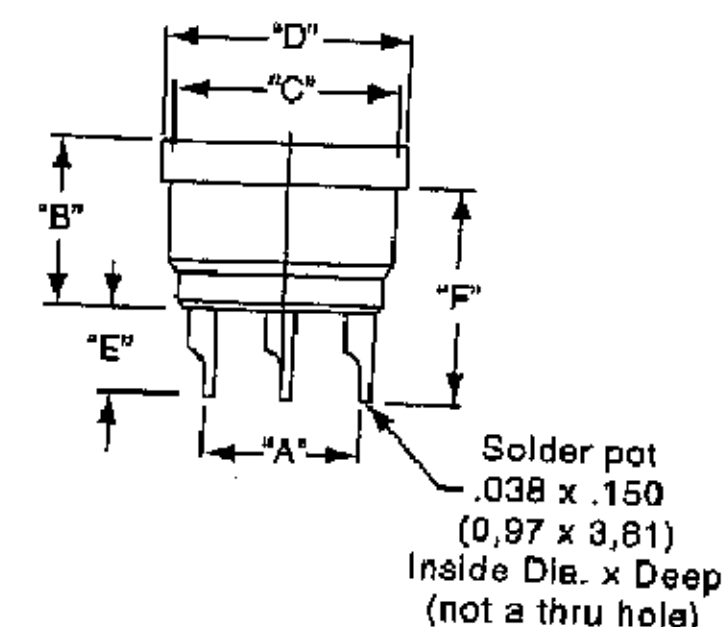
**Figure P**



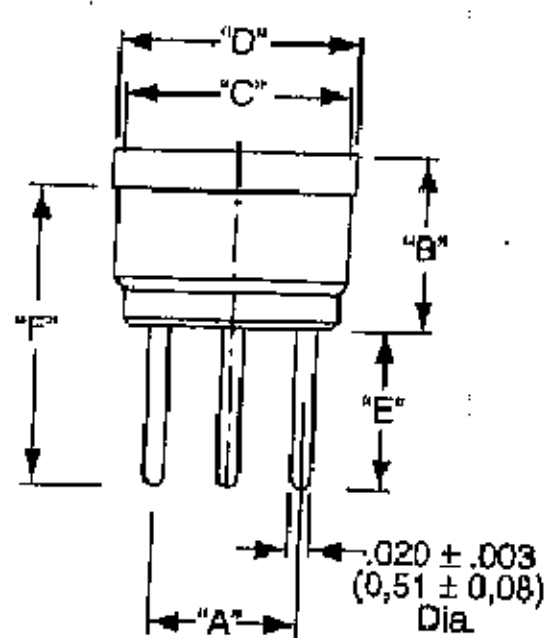
**Figure 1**



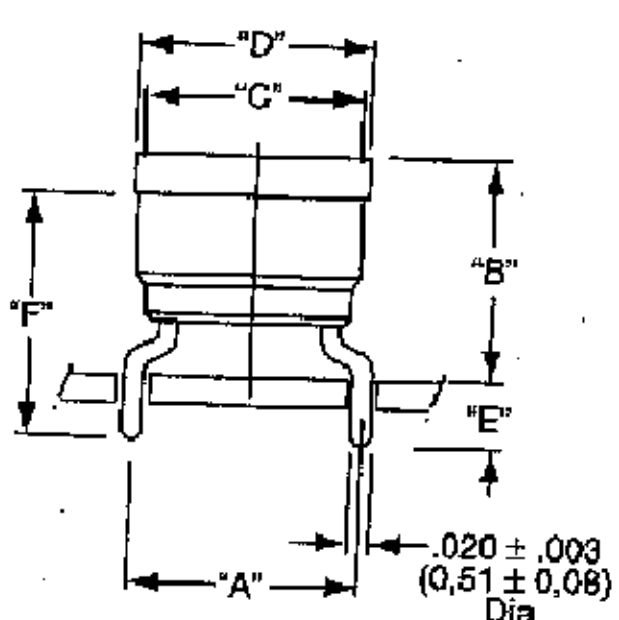
**Figure 2**



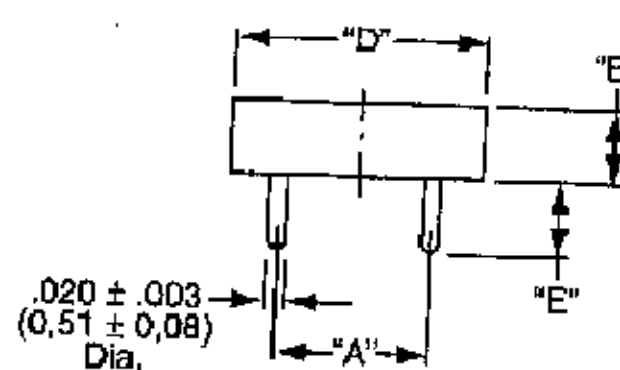
**Figure 3**



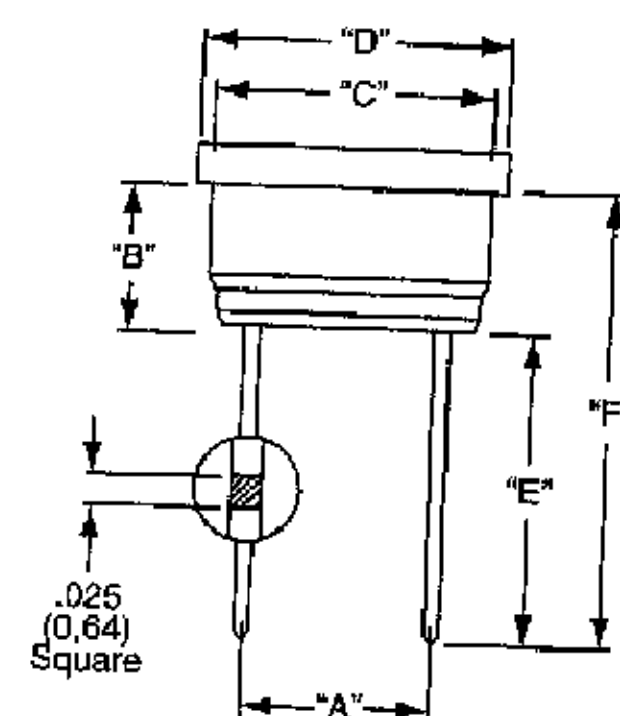
**Figure 4**



**Figure 5**



**Figure 6**



**Figure 7**

**H**

**Need more technical information?**  
Consult your Thomas & Betts  
sales office listed on the back cover

H17


Thomas & Betts  
1555 Lynnfield Road  
Memphis, TN 38119  
(901) 682-8221 FAX (901) 537-8805

RELEASED FOR PUBLICATION

ALL RIGHTS RESERVED.

THIS DRAWING IS UNPUBLISHED.

© COPYRIGHT

DIMENSIONS: INCHES	DWN	R BROWN	28NOV2006	MATERIAL	—	FINISH	—
	CHK	K DeBOCK	28NOV2006	 TE Connectivity			
TOLERANCES UNLESS OTHERWISE SPECIFIED:	APVD	K DeBOCK	28NOV2006				
	PRODUCT SPEC	—		SOCKET, 8 PIN PRINTED CIRCUIT			
0 PLC ± —	APPLICATION SPEC	—		SIZE	A4	CAGE CODE	00779
1 PLC ± —	WEIGHT	—		DRAWING NO	C= 1437508-5		RESTRICTED TO
2 PLC ± —	CUSTOMER DRAWING			SCALE	NTS		SHEET
3 PLC ± —				4 OF 4		REV	A1
4 PLC ± —							
ANGLES ± —							

## X-ON Electronics

Largest Supplier of Electrical and Electronic Components

*Click to view similar products for IC & Component Sockets category:*

*Click to view products by TE Connectivity manufacturer:*

Other Similar products are found below :

[0066-3-17-15-30-14-02-0](#) [670](#) [672](#) [673](#) [694-13-640-00-672-000](#) [712-93-120-41-001000](#) [714-93-104-31-018000](#) [8059-4G1-LF](#) [807-22-001-10-001101](#) [807-22-001-10-006101](#) [807-22-001-30-011101](#) [807-22-001-30-012101](#) [807-22-001-30-013101](#) [807-22-001-30-014101](#) [8-1437531-4](#) [8150-6P10](#) [833-93-034-10-001000](#) [851-41-006-10-001000](#) [851-43-008-20-001000](#) [851-43-014-20-001000](#) [851-93-006-20-001000](#) [851-93-010-20-001000](#) [853-43-020-10-001000](#) [86.010.0053.0](#) [116-43-308-41-007000](#) [PX-68LCC](#) [121-13-318-41-001000](#) [121-13-320-41-001000](#) [121-13-308-41-001000](#) [123-43-314-41-801000](#) [123-43-420-41-001000](#) [122-13-316-41-001000](#) [123-13-624-41-001000](#) [123-43-306-41-001000](#) [12-3513-11](#) [123-91-320-41-001000](#) [126-43-310-41-002000](#) [AKSUN 37V-T](#) [1437503-9](#) [1437504-1](#) [146-44-308-41-013000](#) [146-43-308-41-012000](#) [160-10-308-00-001000](#) [160-40-320-00-001000](#) [214-99-306-01-670800](#) [232-1270-02-0602](#) [2-382761-4](#) [2-5331677-4](#) [2-640360-3](#) [2801-2-00-50-00-00-07-0](#)