

8059-2G9=TO5 PC SOCKET 230 GOL ✓ ACTIVE



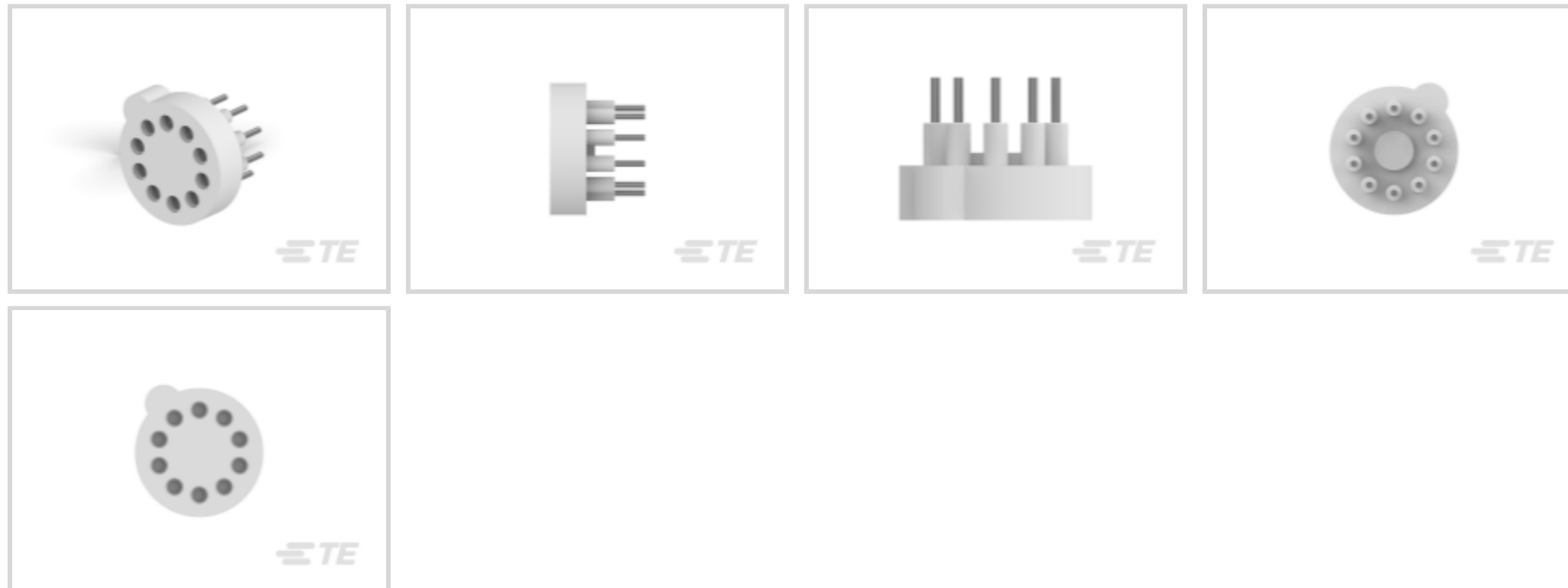
Augat

TE Part # 5-1437508-0

TE Internal #: 8059-2G9

[View on TE.com >](#)

Connectors > Card & Socket Connectors > Transistor Sockets



Number of Positions: 10

Profile: **Ultra-Low**

Package: **TO-5**

Lead Size Accepted: .41 mm [.02 in]

Termination Method: **Printed Circuit**

Features

Product Type Features

Terminal Configuration	Contact
Profile	Ultra-Low
Package	TO-5
Connector & Contact Terminates To	Printed Circuit Board
Product Type	Socket

Configuration Features

Number of Positions	10
---------------------	----

Body Features

Sleeve Material	Brass
Sleeve Plating Material	Gold
Insulator Material	Glass-Filled Polyamide Nylon
Lead Size Accepted	.41 mm[.02 in]
Color	Yellow

Contact Features

Terminal Material	Beryllium Copper
-------------------	------------------



Terminal Plating	Gold
Termination Method	Printed Circuit
Contact Current Rating (Max)	3 A
Socket Type	Transistor
Pin Diameter	5.84 mm[.23 in]

Mechanical Attachment

Connector Mounting Type	Board Mount
-------------------------	-------------

Usage Conditions

Operating Temperature Range	-55 – 125 °C[-67 – 257 °F]
-----------------------------	----------------------------

Operation/Application

Circuit Application	Signal
---------------------	--------

Industry Standards

Insulator Flammability Rating	UL 94V-0
-------------------------------	----------

Product Compliance

[For compliance documentation, visit the product page on TE.com>](#)

EU RoHS Directive 2011/65/EU	Not Compliant
EU ELV Directive 2000/53/EC	Not Compliant
China RoHS 2 Directive MIIT Order No 32, 2016	Restricted Materials Above Threshold
EU REACH Regulation (EC) No. 1907/2006	Current ECHA Candidate List: JAN 2019 (197) Candidate List Declared Against: JAN 2019 (197)
Halogen Content	Low Halogen - Br, Cl, F, I < 900 ppm per homogenous material. Also BFR/CFR/PVC Free
Solder Process Capability	Wave solder capable to 265°C

Product Compliance Disclaimer

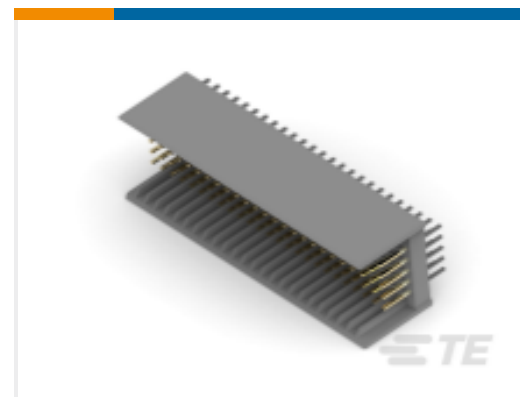
This information is provided based on reasonable inquiry of our suppliers and represents our current actual knowledge based on the information they provided. This information is subject to change. The part numbers that TE has identified as EU RoHS compliant have a maximum concentration of 0.1% by weight in homogenous materials for lead, hexavalent chromium, mercury, PBB, PBDE, DBP, BBP, DEHP, DIBP, and 0.01% for cadmium, or qualify for an exemption to these limits as defined in the Annexes of Directive 2011/65/EU (RoHS2). Finished electrical and electronic equipment products will be CE marked as required by Directive 2011/65/EU. Components may not be CE marked. Additionally, the part numbers that TE has identified as EU ELV compliant have a maximum concentration of 0.1% by weight in homogenous materials for lead, hexavalent chromium, and mercury, and 0.01% for cadmium, or qualify for an exemption to these limits as defined in the Annexes of Directive 2000/53/EC (ELV). Regarding the REACH Regulations, TE's information on SVHC in articles for this part number is still based on the European Chemical Agency (ECHA) 'Guidance on requirements for substances in articles' (Version: 2, April 2011), applying the 0.1% weight on weight concentration threshold at the finished

product level. TE is aware of the European Court of Justice ruling of September 10th, 2015 also known as O5A (Once An Article Always An Article) stating that, in case of 'complex object', the threshold for a SVHC must be applied to both the product as a whole and simultaneously to each of the articles forming part of its composition. TE has evaluated this ruling based on the new ECHA "Guidance on requirements for substances in articles" (June 2017, version 4.0) and will be updating its statements accordingly.

Customers Also Bought



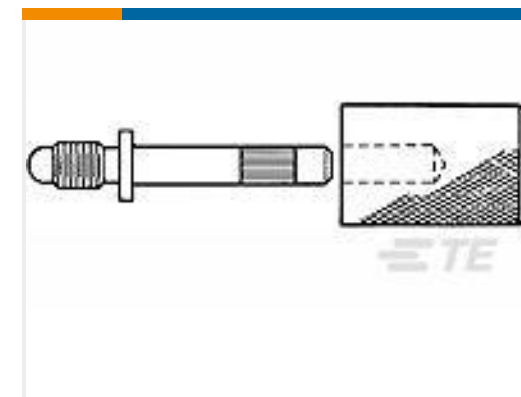
TE Part #3-100143-0
PACK/A MALE HDR 110P,
2MM HM



TE Part #3-100141-0
Z-PACK/B MALE HDR
125P, 2MM HM



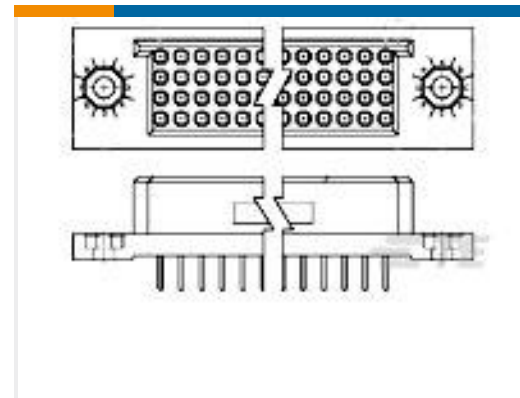
TE Part #6-1437514-9
8134-HC-6P3=HOLTITE
3.3.20



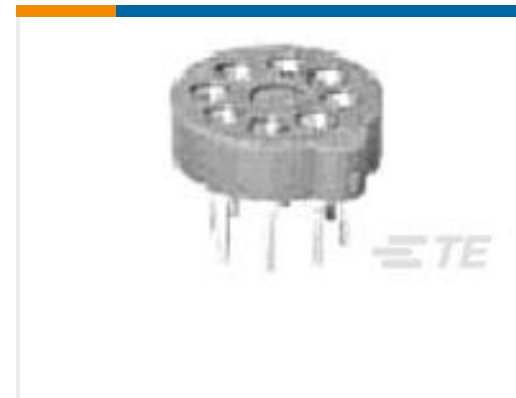
TE Part #532805-1
HDI JACKSCREW KIT



TE Part #1-1437535-2
508-AG10D-ES=SOCKET
ASSY.



TE Part #533285-7
BOX II 4 ROW RECP ASSY
200 POS



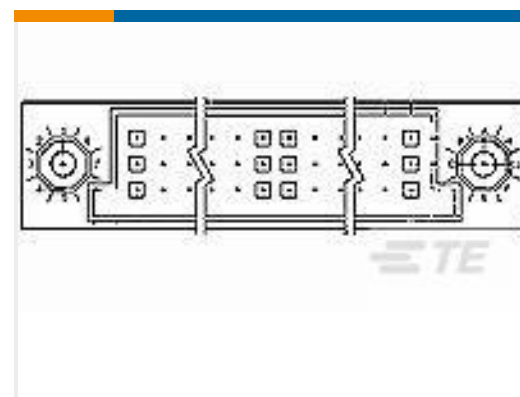
TE Part #4-1437508-6
8059-2G5=TO5 PC
SOCKET 200 GOL



TE Part #1-1617146-4
JMGACD-26P = M39016
/18-036P



TE Part #532448-7
HDI PIN ASSY 4 ROW 200
POS



TE Part #5532447-9
ASSY,PIN,VERTICAL,HDI,
LEAD-FRE

Documents

Product Drawings

8059-2G9=TO5 PC SOCKET 230 GOL

English

CAD Files

3D PDF

3D

Customer View Model

[ENG_CVM_CVM_5-1437508-0_C.2d_dxf.zip](#)

English

Customer View Model

[ENG_CVM_CVM_5-1437508-0_C.3d_igs.zip](#)



English

Customer View Model

[ENG_CVM_CVM_5-1437508-0_C.3d_stp.zip](#)

English

[Product Environmental Compliance](#)

[TE Material Declaration](#)

English

X-ON Electronics

Largest Supplier of Electrical and Electronic Components

Click to view similar products for IC & Component Sockets category:

Click to view products by TE Connectivity manufacturer:

Other Similar products are found below :

[714-43-102-31-012000](#) [0066-3-17-15-30-14-02-0](#) [0134-0-15-15-32-27-04-0](#) [614-DG5](#) [6527-0-00-15-00-00-03-0](#) [670](#) [672](#) [673](#) [712-93-120-41-001000](#) [714-93-104-31-018000](#) [8059-4G1-LF](#) [807-22-001-10-001101](#) [807-22-001-10-003101](#) [807-22-001-10-004101](#) [807-22-001-10-006101](#) [807-22-001-30-011101](#) [807-22-001-30-012101](#) [807-22-001-30-013101](#) [807-22-001-30-014101](#) [8-1437531-4](#) [8150-6P10](#) [833-93-034-10-001000](#) [835-43-014-10-001000](#) [851-41-006-10-001000](#) [851-43-008-20-001000](#) [851-43-014-20-001000](#) [851-93-006-20-001000](#) [851-93-010-20-001000](#) [853-43-020-10-001000](#) [86.010.0053.0](#) [116-43-306-41-003000](#) [116-43-308-41-007000](#) [116-87-308-41-007101](#) [PX-68LCC](#) [PX-84LCC](#) [121-13-318-41-001000](#) [121-13-320-41-001000](#) [121-13-308-41-001000](#) [123-43-314-41-801000](#) [123-43-420-41-001000](#) [123-43-636-41-001000](#) [123-87-320-41-001101](#) [122-13-316-41-001000](#) [123-13-624-41-001000](#) [123-43-306-41-001000](#) [123-43-322-41-801000](#) [123-43-428-41-001000](#) [123-43-624-41-001000](#) [12-3513-11](#) [123-91-320-41-001000](#)